

AXOR Citterio M
Shower thermostat for exposed installation
 Finish: **Chrome** Article Number: **34635000**



product features

- 1 function
- thermostat cartridge, ceramic valve 180°
- maximum flow rate at 3 bar: 20 l/min
- min. operating pressure: 1 bar
- max. operating pressure: 10 bar
- safety stop at 40 °C
- temperature limitation adjustable
- non-return valve
- with silencer
- centre distance: 150 ± 12 mm
- connection dimension: DN15
- connection type: s-shaped connections
- WRAS 2205008
- WRAS 2205008 - WRAS Approval Letter

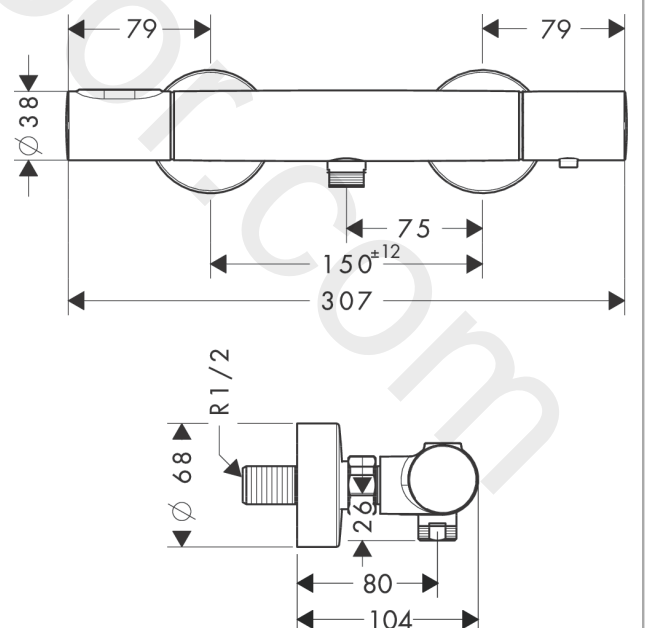
Article Details

Price excl. VAT 529,17 £

Product image



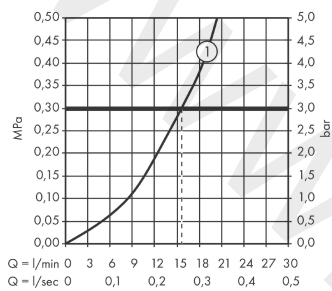
Scale drawing



AXOR Citterio M
Shower thermostat for exposed installation
Finish: **Chrome** Article Number: **34635000**



Flowchart

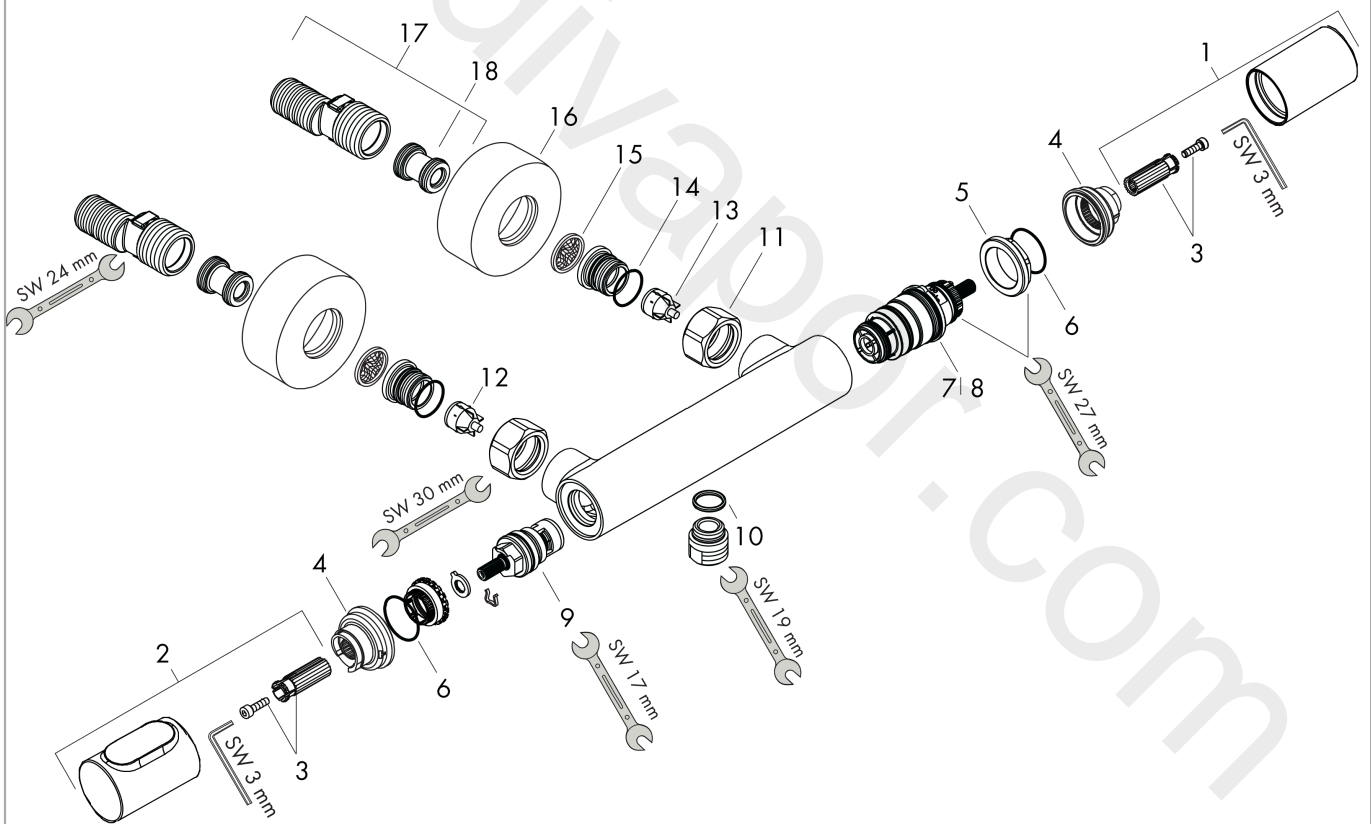


AXOR Citterio M
Shower thermostat for exposed installation
Finish: **Chrome** Article Number: **34635000**



Exploded Drawing

Year of production: >04/13



AXOR Citterio M
Shower thermostat for exposed installation
 Finish: **Chrome** Article Number: **34635000**



Spare part list

Year of production: >04/13

Pos.		Article Number	Price	PU
1	handle for thermostat	98287000	£ 137,00	1
2	handle	98288000	£ 137,00	1
3	handle fixing set	98290000	£ 9,00	1
4	safety set	98289000	£ 16,10	1
5	nut	98913000	£ 20,50	1
6	O-ring 26x1,5	98390000	£ 3,30	1
7	thermostat cartridge	98282000	£ 110,00	1
8	cartridge for exchanged connections	92373000	£ 275,00	1
9	shut off unit	94149000	£ 35,00	1
10	O-ring 14x2	98129000	£ 3,30	1
11	set of nuts	96157000	£ 35,00	1
12	non return valve (pressure-resistant up to 2 MPa)	93136000	£ 35,00	1
13	non return valve	96737000	£ 35,00	1
14	O-ring 17x1,5	98137000	£ 3,30	1
15	filter packing	96922000	£ 9,00	1
16	escutcheon Ø 68 mm	96467000	£ 20,50	1
17	set of S-unions (±12 mm)	94140000	£ 51,00	1
18	noise reduction	96429000	£ 6,10	1
a	set of S-unions (±32 mm)	98592000	£ 43,00	1
b	conversion kit	98329000	-	1
c	pushbutton	92848000	£ 6,10	1