

**AXOR Citterio M**  
**4-hole tile mounted bath mixer with lever handles and escutcheons**  
 Finish: **Chrome** Article Number: **34454000**



### product features

- consists of: 4-hole tile mounted bath mixer, hand shower, shower holder
- 2 functions
- projection: 190 mm
- spray type mixer: normal spray
- spray type hand shower: Rain, RainAir, WhirlAir
- maximum pull-out length of hand shower: 1.10 m
- maximum flow rate at 3 bar: 18 l/min
- flow rate for bath spout at 3 bar: 20 l/min
- flow rate of hand shower at 3 bar: 18 l/min
- ceramic valves hot/cold 90°
- diverter with automatic resetting
- non-return valve
- connection dimension: DN15
- connection type: basic set
- tile mounted
- min. operating pressure: 1 bar
- max. operating pressure: 10 bar

### Article Details

Price excl. VAT 1.500,00 £

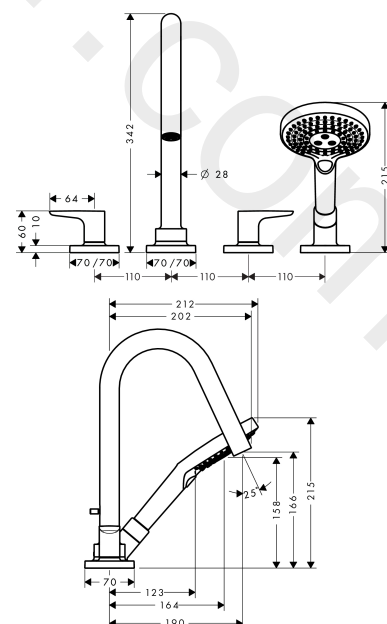
### Technology



### Product image



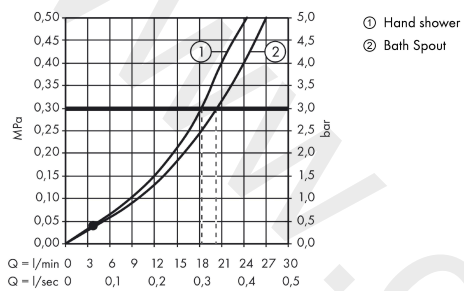
### Scale drawing



**AXOR Citterio M**  
**4-hole tile mounted bath mixer with lever handles and escutcheons**  
 Finish: **Chrome** Article Number: **34454000**



## Flowchart

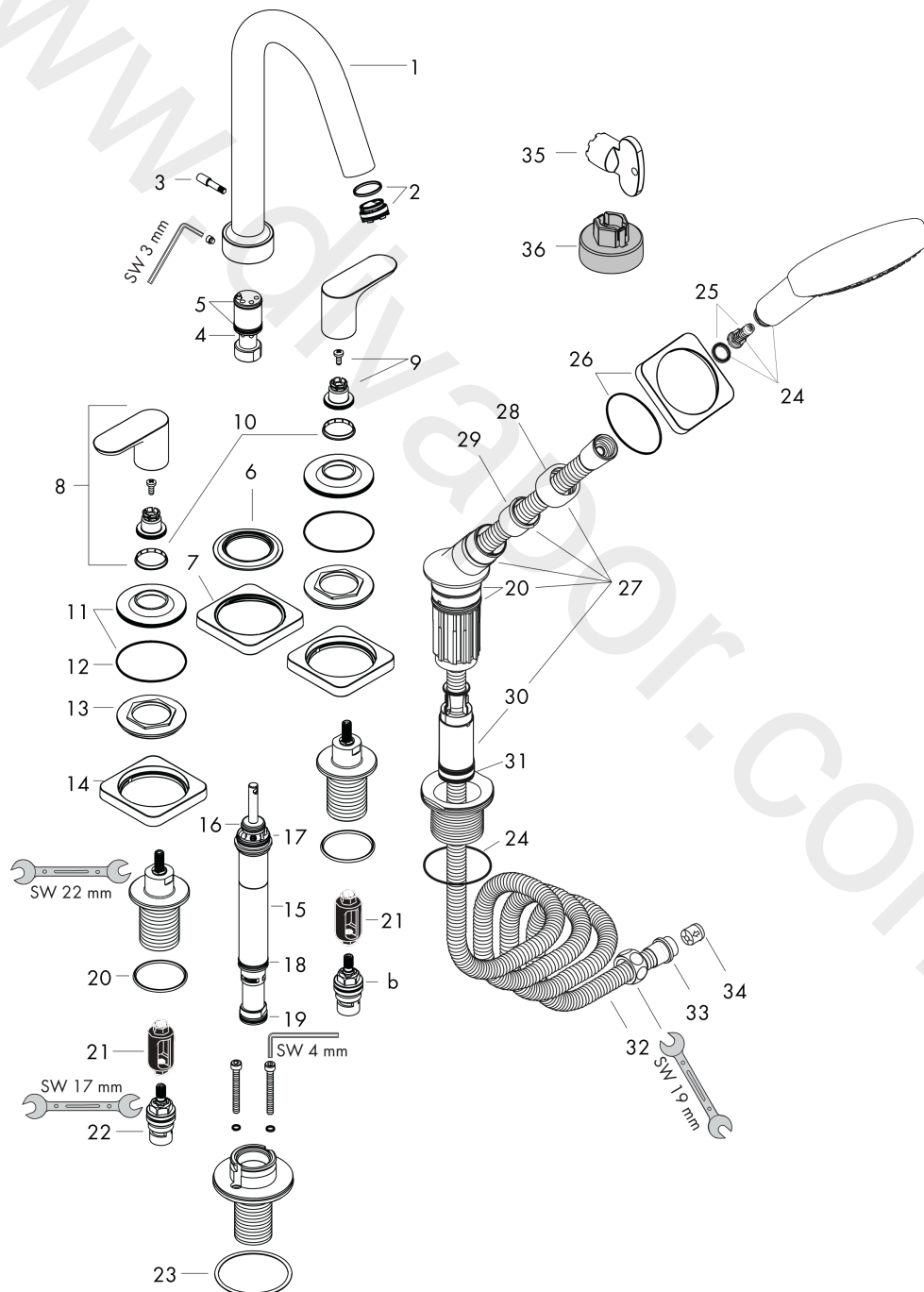


**AXOR Citterio M**  
**4-hole tile mounted bath mixer with lever handles and escutcheons**  
 Finish: **Chrome** Article Number: **34454000**



## Exploded Drawing

Year of production: >01/17



**AXOR Citterio M**  
**4-hole tile mounted bath mixer with lever handles and escutcheons**  
 Finish: **Chrome** Article Number: **34454000**



## Spare part list

Year of production: >01/17

Pos.		Article Number	Price	PU
1	spout cpl.	95258000	£ 445,00	1
2	aerator M24x1 (30 l/min)	98998000	£ 35,00	1
3	diverter knob	96774000	£ 35,00	1
4	guide tube	92214000	£ 51,00	1
5	O-ring 21x1,5	98219000	£ 3,30	1
6	escutcheon for spout	98501000	£ 79,00	1
7	escutcheon for spout	98509000	£ 96,00	1
8	handle	98999000	£ 79,00	1
9	handle fixing set	94184000	£ 6,10	1
10	set of color-rings cold / hot water	96319000	£ 9,00	1
11	escutcheon for handle	98991000	£ 79,00	1
12	O-ring 53x1	98424000	£ 3,30	1
13	nut	98502000	£ 79,00	1
14	escutcheon for handle	98508000	£ 96,00	1
15	selector	96777000	£ 96,00	1
16	O-ring 15x2,5	98131000	£ 3,30	1
17	O-Ring 23x2,5	98183000	£ 3,30	1
18	O-ring 20x2,5	92602000	£ 6,10	1
19	O-ring 18x2,5	98139000	£ 3,30	1
20	O-ring 38x2,5	98198000	£ 6,10	1
21	adapter for handle	97409000	£ 25,00	1
22	shut off unit right closing	94009000	£ 43,00	1
23	O-ring 58x3	98202000	£ 3,30	1
24	handshower	26050000	£ 138,00	1
25	filter insert	97708000	£ 6,10	1
26	escutcheon for shower holder	92347000	£ 173,00	1
27	shower holder, assy	95996000	£ 137,00	1
28	nut	97584000	£ 16,10	1
29	insert for shower holder	96942000	£ 13,30	1
30	hose brake	98656000	£ 20,50	1
31	O-Ring 28x2	98194000	£ 3,30	1
32	shower hose 2,00 m	94148000	£ 79,00	1
33	O-ring 11x2	98127000	£ 3,30	1
34	set of non return valves DW 15	94074000	£ 16,10	1

**AXOR Citterio M**  
**4-hole tile mounted bath mixer with lever handles and escutcheons**  
 Finish: **Chrome** Article Number: **34454000**



## Spare part list

Year of production: >01/17

Pos.		Article Number	Price	PU
35	special tool	95158000	£ 6,10	1
36	set of service tools	98861000	£ 64,00	1
a	concealed item	14445180	-	1
b	shut off unit left closing	94008000	£ 43,00	1
c	SECUFLEX hose + long hose (max. extension 1,40 m)	94109000	£ 445,00	1
d	O-ring 62x2,5	98461000	£ 3,30	1
e	silicone sprayer 10 ml	97864000	£ 43,00	1
f	Grease	90920000	£ 16,10	1