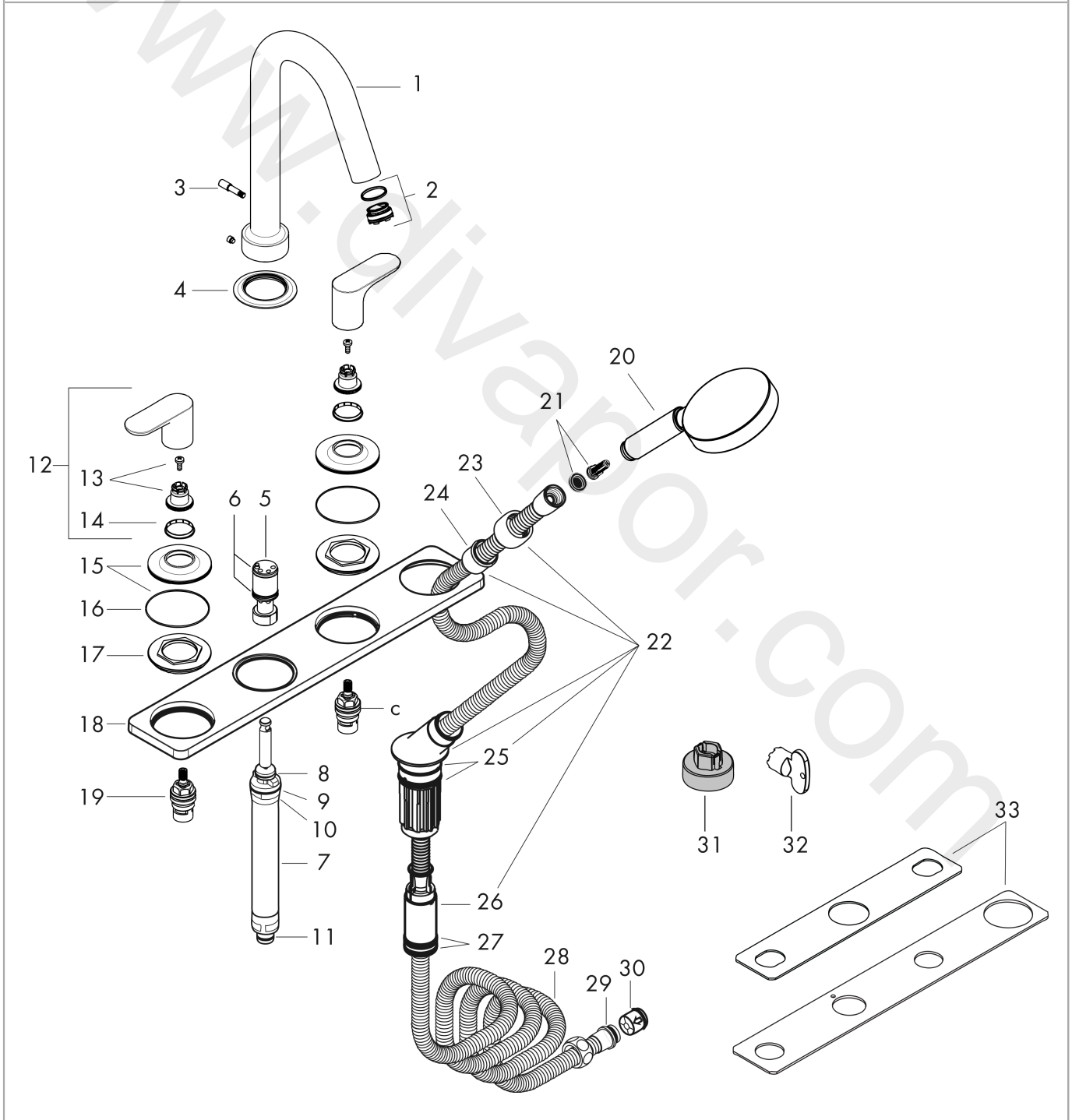


**AXOR Citterio M**  
**4-hole rim mounted bath mixer with lever handles and plate**  
 Surfaces: Article Number: **34445000**



## Exploded Drawing

Year of production: 01/17 - 12/17



**AXOR Citterio M**  
**4-hole rim mounted bath mixer with lever handles and plate**  
 Surfaces: Article Number: **34445000**



## Spare part list

Year of production: **01/17 - 12/17**

Pos.		Article Number	Price	PU
1	spout cpl.	98997000	£ 445,00	1
2	aerator M24x1 (30 l/min)	98998000	£ 35,00	1
3	diverter knob	96774000	£ 35,00	1
4	escutcheon for spout	98501000	£ 79,00	1
5	guide tube	92214000	£ 51,00	1
6	O-ring 21x1,5	98219000	£ 3,30	1
7	selector assy	96775000	£ 79,00	1
8	O-Ring 14x2,5	98189000	£ 3,30	1
9	O-Ring 22x2	98185000	£ 3,30	1
10	O-Ring 23x2,5	98183000	£ 3,30	1
11	O-ring 9x2,25	98121000	£ 3,30	1
12	handle	98999000	£ 79,00	1
13	handle fixing set	94184000	£ 6,10	1
14	set of color-rings cold / hot water	96319000	£ 9,00	1
15	escutcheon for handle	98991000	£ 79,00	1
16	O-ring 53x1	98424000	£ 3,30	1
17	nut	98502000	£ 79,00	1
18	escutcheon	98503000	£ 275,00	1
19	shut off unit right closing	96350000	£ 51,00	1
20	handshower	26050000	£ 138,00	1
21	filter insert	97708000	£ 6,10	1
22	shower holder, assy	95996000	£ 137,00	1
23	nut	97584000	£ 16,10	1
24	insert for shower holder	96942000	£ 13,30	1
25	O-ring 38x2	98396000	£ 3,30	1
26	hose brake	98656000	£ 20,50	1
27	O-Ring 28x2	98194000	£ 3,30	1
28	shower hose 2,00 m	94148000	£ 79,00	1
29	O-ring 11x2	98127000	£ 3,30	1
30	set of non return valves DW 15	94074000	£ 16,10	1
31	set of service tools	98861000	£ 64,00	1
32	special tool	95158000	£ 6,10	1
33	mounting-set	39449000	£ 56,00	1
a	concealed item	13444180	£ 1.270,00	1

**AXOR Citterio M**  
**4-hole rim mounted bath mixer with lever handles and plate**  
 Surfaces: Article Number: **34445000**



## Spare part list

Year of production: **01/17 - 12/17**

Pos.		Article Number	Price	PU
b	SECUFLEX hose + long hose (max. extension 1,40 m)	94109000	£ 445,00	1
c	shut off unit left closing	96351000	£ 51,00	1