

**AXOR Citterio M**  
**Bath thermostat for exposed installation**  
 Finish: **Chrome** Article Number: **34435000**



## product features

- projection 180 mm
- 2 functions
- spray type mixer: normal spray
- maximum flow rate at 3 bar: 21 l/min
- flow rate for bath spout at 3 bar: 21 l/min
- flow rate of hand shower at 3 bar: 17 l/min
- thermostat cartridge, shut-off/ diverter valve
- safety stop at 40 °C
- temperature limitation adjustable
- non-return valve
- with silencer
- connection type: s-shaped connections
- connection dimension: DN15
- wall-mounted
- min. operating pressure: 1 bar
- max. operating pressure: 10 bar
- centre distance: 150 ± 12 mm
- WRAS 2205040
- WRAS 2205040 - Approval letter

## Article Details

Price excl. VAT 545,83 £

## Technology



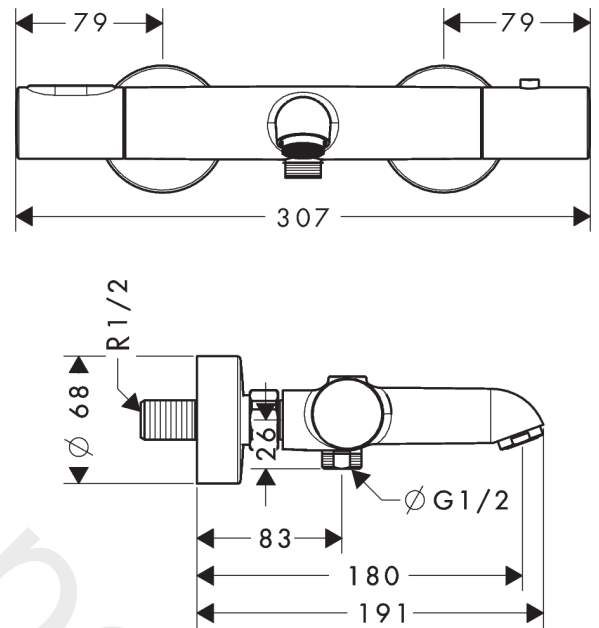
**AXOR Citterio M**  
**Bath thermostat for exposed installation**  
 Finish: **Chrome** Article Number: **34435000**



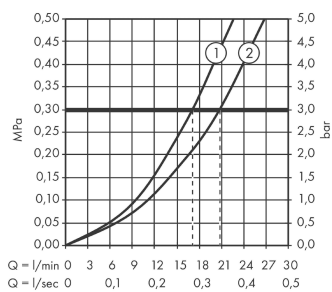
## Product image



## Scale drawing



## Flowchart



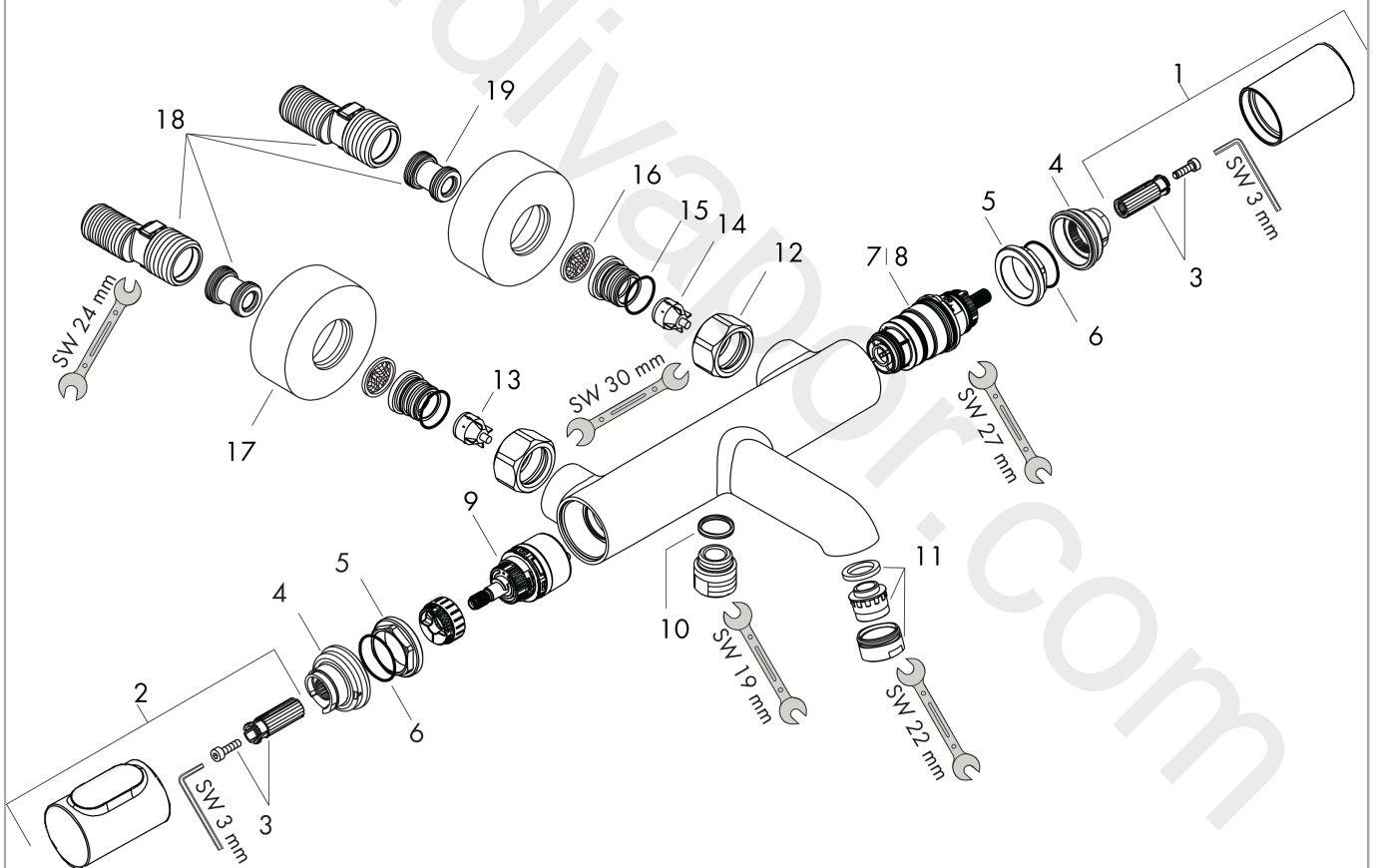
- ① Shower outlet with 1B-resistance
- ② Tub outlet

**AXOR Citterio M**  
**Bath thermostat for exposed installation**  
 Finish: **Chrome** Article Number: **34435000**



## Exploded Drawing

Year of production: >04/13



**AXOR Citterio M**  
**Bath thermostat for exposed installation**  
 Finish: **Chrome** Article Number: **34435000**



## Spare part list

Year of production: >04/13

Pos.		Article Number	Price	PU
1	handle for thermostat	98287000	£ 137,00	1
2	handle	98288000	£ 137,00	1
3	handle fixing set	98290000	£ 9,00	1
4	safety set	98289000	£ 16,10	1
5	nut	98913000	£ 20,50	1
6	O-ring 26x1,5	98390000	£ 3,30	1
7	thermostat cartridge	98282000	£ 110,00	1
8	cartridge for exchanged connections	92373000	£ 275,00	1
9	shut off unit with selector	98283000	£ 79,00	1
10	O-ring 14x2	98129000	£ 3,30	1
11	aerator M24x1 (30 l/min)	96512000	£ 16,10	1
12	set of nuts	96157000	£ 35,00	1
13	non return valve (pressure-resistant up to 2 MPa)	93136000	£ 35,00	1
14	non return valve	96737000	£ 35,00	1
15	O-ring 17x1,5	98137000	£ 3,30	1
16	filter packing	96922000	£ 9,00	1
17	escutcheon Ø 68 mm	96467000	£ 20,50	1
18	set of S-unions (±12 mm)	94140000	£ 51,00	1
19	noise reduction	96429000	£ 6,10	1
a	pushbutton	92848000	£ 6,10	1
b	set of S-unions (±32 mm)	98592000	£ 43,00	1
c	conversion kit	98328000	£ 64,00	1