

AXOR Citterio M
Single lever bath mixer for exposed installation
 Finish: **Chrome** Article Number: **34420000**



product features

- 2 functions
- projection: 200 mm
- centre distance: 150 ± 16 mm
- spray type mixer: normal spray
- maximum flow rate at 3 bar: 22 l/min
- flow rate for bath spout at 3 bar: 22 l/min
- flow rate of hand shower at 3 bar: 16 l/min
- ceramic cartridge
- temperature limitation adjustable
- diverter with automatic resetting
- non-return valve
- with silencer
- suitable for continuous flow water heaters
- connection dimension: DN15
- connection type: s-shaped connections
- wall-mounted
- min. operating pressure: 1 bar
- max. operating pressure: 10 bar
- WRAS 2205053
- WRAS 2205053 - Approval letter

Article Details

Price excl. VAT 683,33 £

Technology



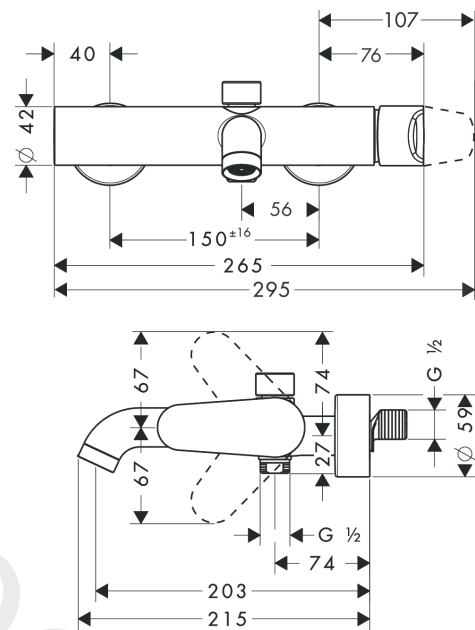
AXOR Citterio M
Single lever bath mixer for exposed installation
 Finish: **Chrome** Article Number: **34420000**



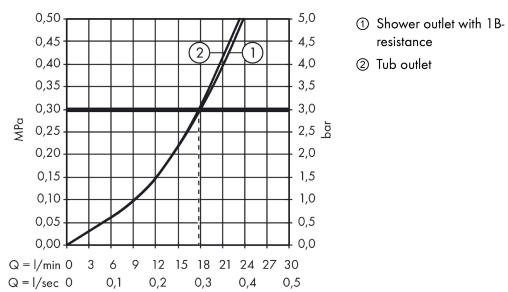
Product image



Scale drawing



Flowchart

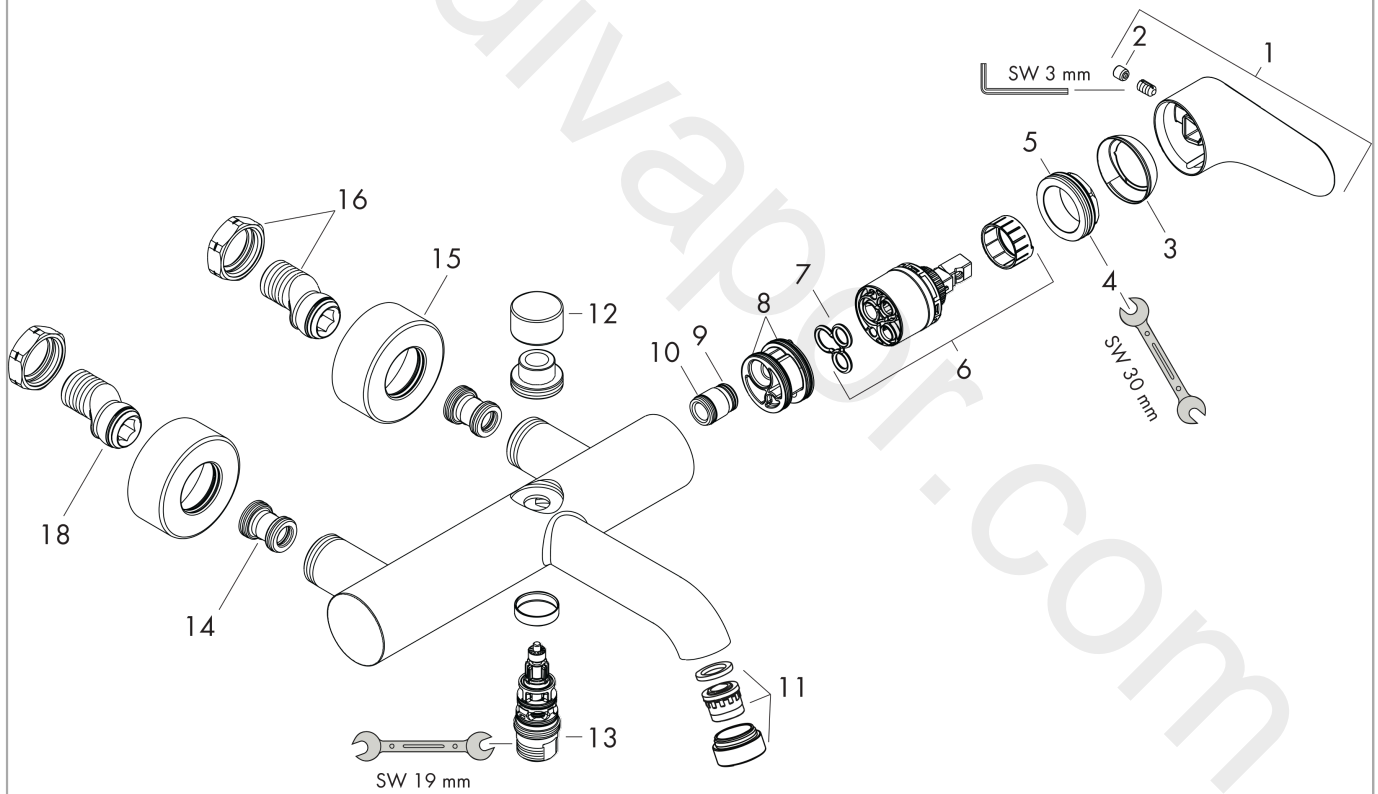


AXOR Citterio M
Single lever bath mixer for exposed installation
Finish: **Chrome** Article Number: **34420000**



Exploded Drawing

Year of production: >05/20



AXOR Citterio M
Single lever bath mixer for exposed installation
 Finish: **Chrome** Article Number: **34420000**



Spare part list

Year of production: >05/20

Pos.		Article Number	Price	PU
1	handle	34094000	£ 79,00	1
2	screw cover	96762000	£ 3,30	1
3	flange	96763000	£ 9,00	1
4	nut	97209000	£ 16,10	1
5	O-ring 33x2	98154000	£ 3,30	1
6	cartridge, assy	92730000	£ 35,00	1
7	seal	95008000	£ 9,00	1
8	O-ring 29x2	98391000	£ 3,30	1
9	O-ring 11x2	98127000	£ 3,30	1
10	O-ring 12x2	98214000	£ 3,30	1
11	aerator M24x1 (38 l/min)	93588000	£ 35,00	1
12	diverter knob	97355000	£ 51,00	1
13	selector assy	94077000	£ 43,00	1
14	noise reduction	96429000	£ 6,10	1
15	escutcheon Ø 59 mm	97507000	£ 35,00	1
16	set of S-unions with nuts	96742000	£ 51,00	1
17	O-ring 18x2,5	98139000	£ 3,30	1
a	diverter fixing device	97211000	£ 3,30	1