

AXOR Citterio M

Bath spout

Finish: **Chrome** Article Number: **34410000**



product features

- 1 function
- projection: 182 mm
- maximum flow rate at 3 bar: 22 l/min
- connection dimension: DN20
- spray type: normal spray
- WRAS 2003050
- WRAS 2003050 - WRAS 2003050 approval letter

Article Details

Price excl. VAT

241,67 £

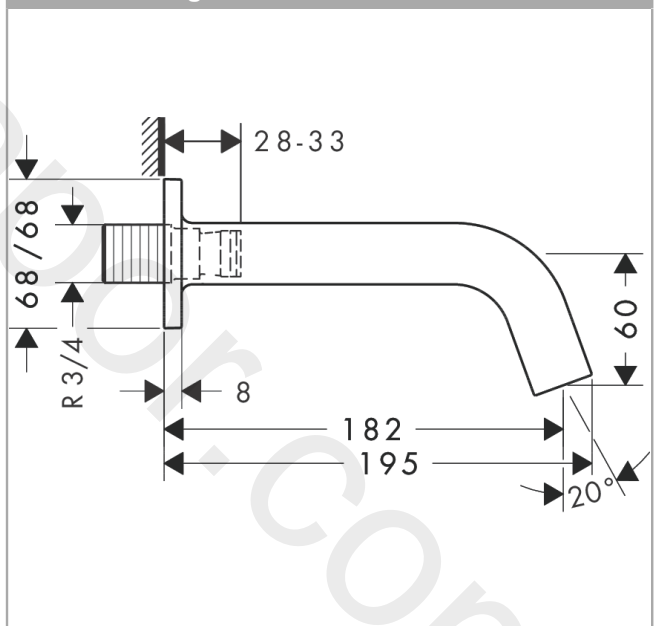
Technology



Product image



Scale drawing



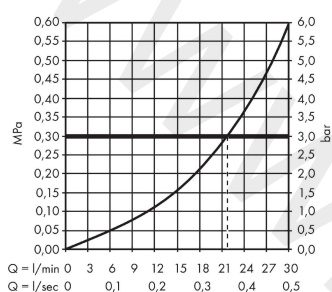
AXOR Citterio M

Bath spout

Finish: **Chrome** Article Number: **34410000**



Flowchart



Q = l/min 0 3 6 9 12 15 18 21 24 27 30
 Q = l/sec 0 0,1 0,2 0,3 0,4 0,5

The consumption was measured in combination with the appropriate fittings (thermosta/mixer/in-wall valve) to reflect actual application in practice.

AXOR Citterio M

Bath spout

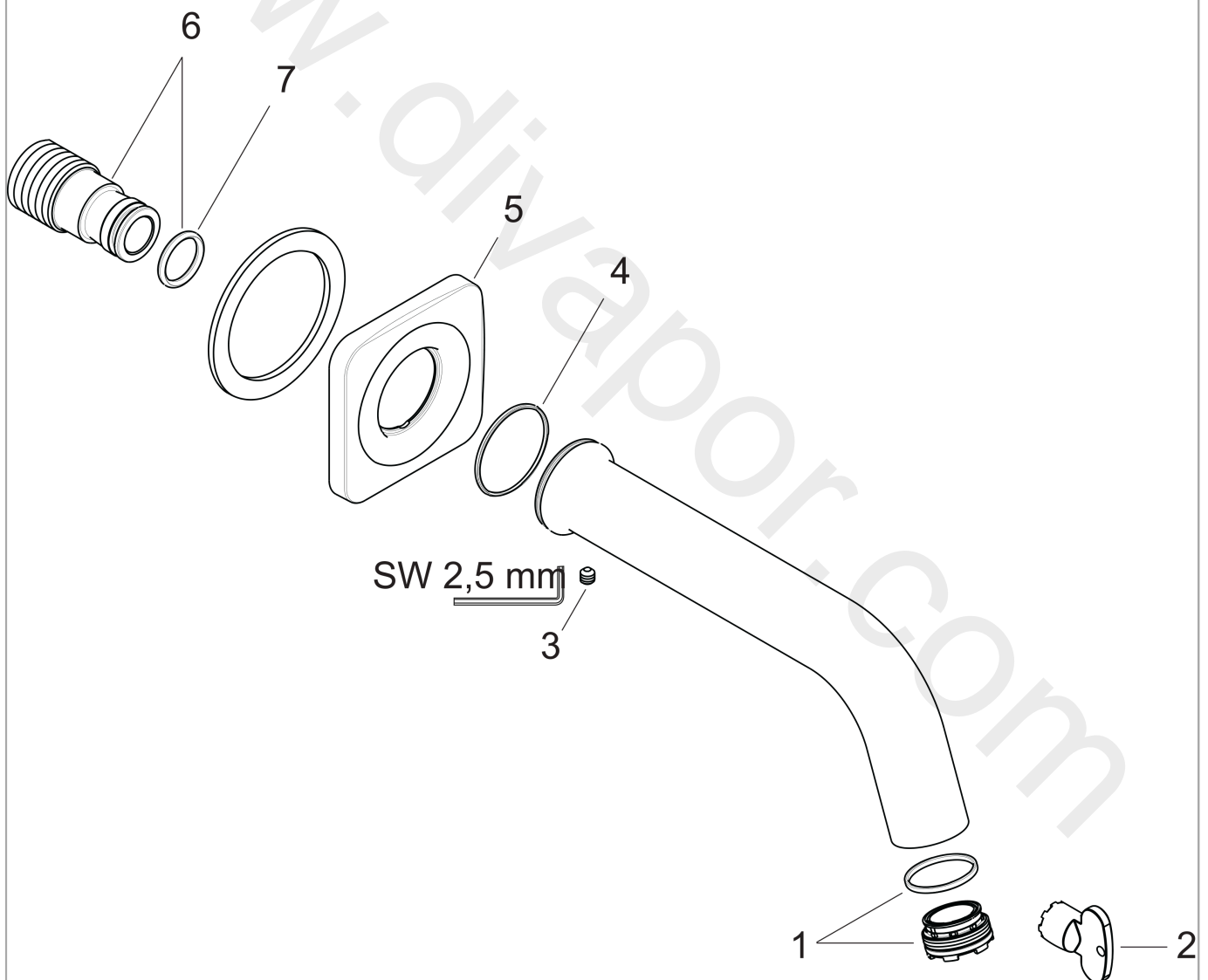
Finish: **Chrome**

Article Number: **34410000**



Exploded Drawing

Year of production: >01/08



AXOR Citterio M

Bath spout

Finish: **Chrome** Article Number: **34410000**



Spare part list

Year of production: >01/08

Pos.		Article Number	Price	PU
1	aerator M24x1 (30 l/min)	98998000	£ 35,00	1
2	special tool	95158000	£ 6,10	1
3	hollow set screw M5x5	98446000	£ 3,30	1
4	O-ring 30x1,5	98433000	£ 3,30	1
5	escutcheon for spout	98960000	£ 110,00	1
6	connecting thread G $\frac{3}{4}$	96472000	£ 20,50	1
7	O-ring 16x2,5	98134000	£ 3,30	1
a	connecting thread G $\frac{1}{2}$	97228000	£ 51,00	1