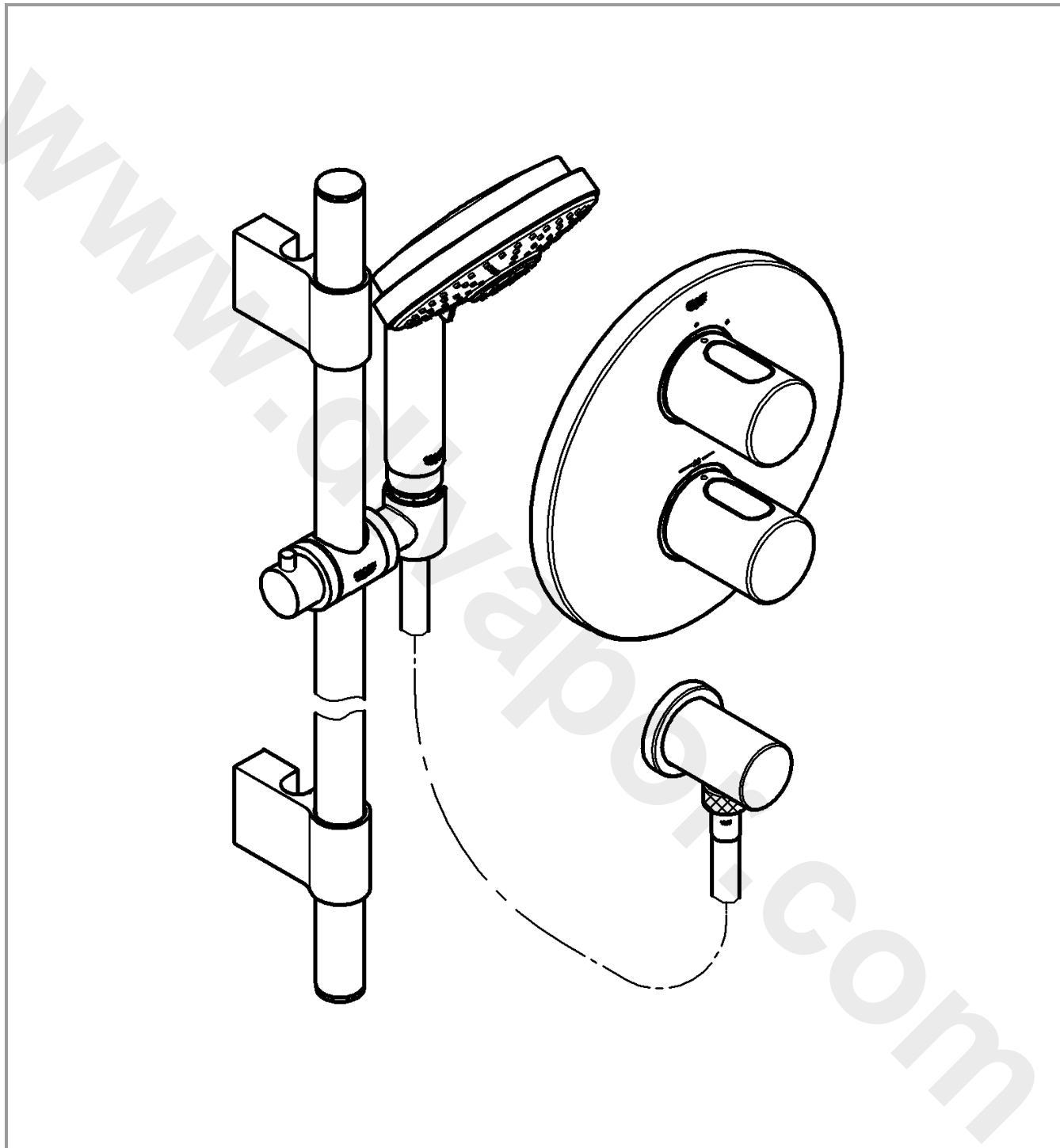


GROHTHERM 3000 COSMOPOLITAN
DESIGN + ENGINEERING
GROHE GERMANY

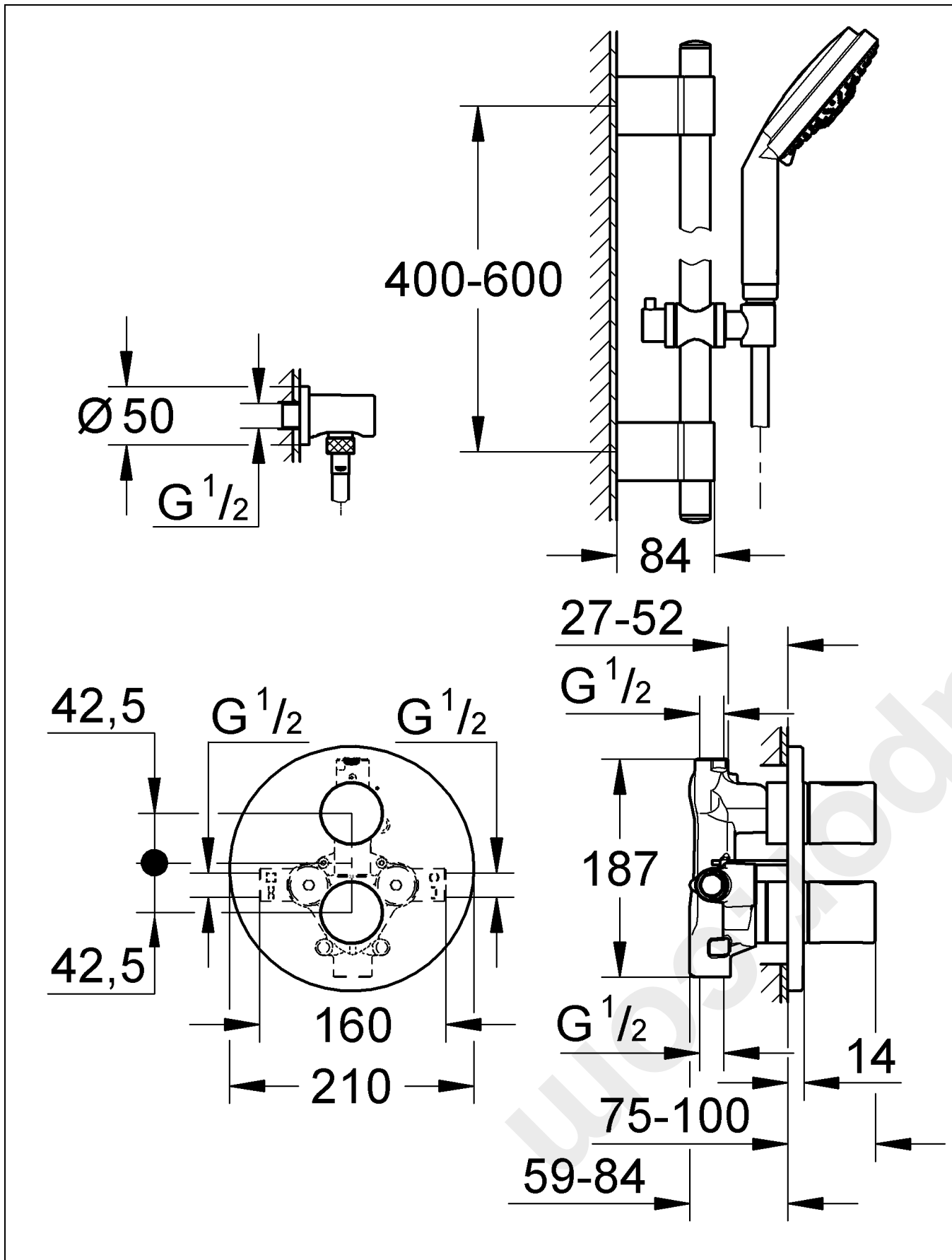
96.514.031/ÄM 235698/02.16

www.grohe.com

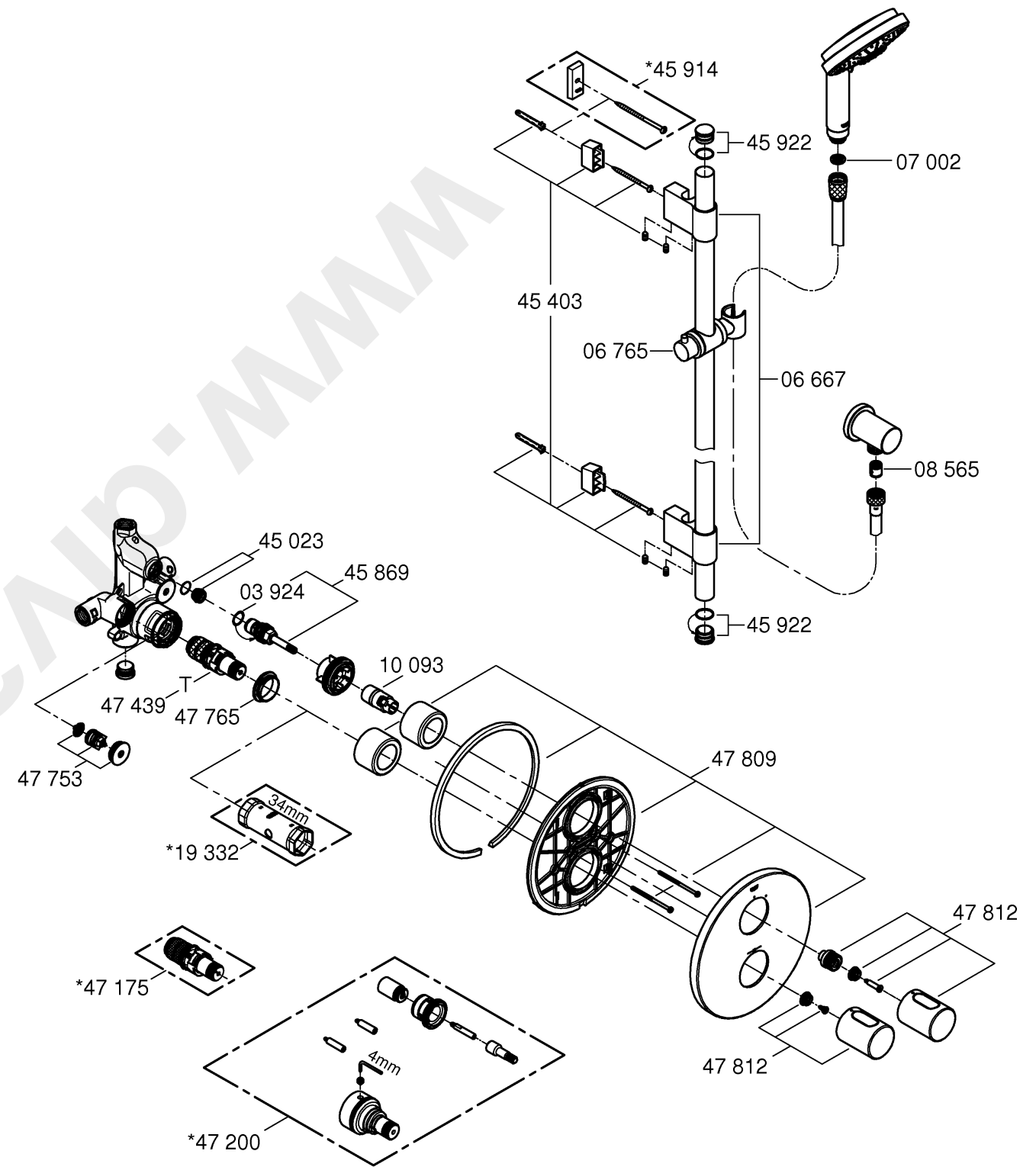
Pure Freude an Wasser

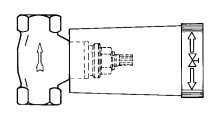
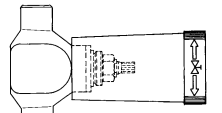
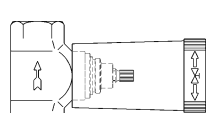
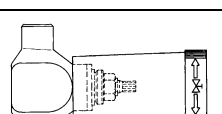
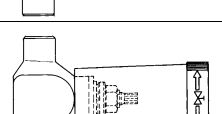


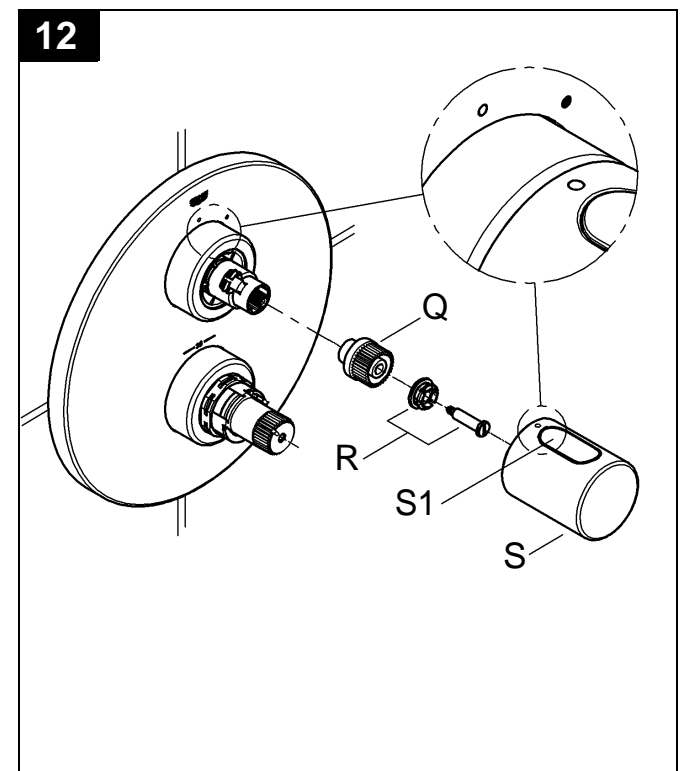
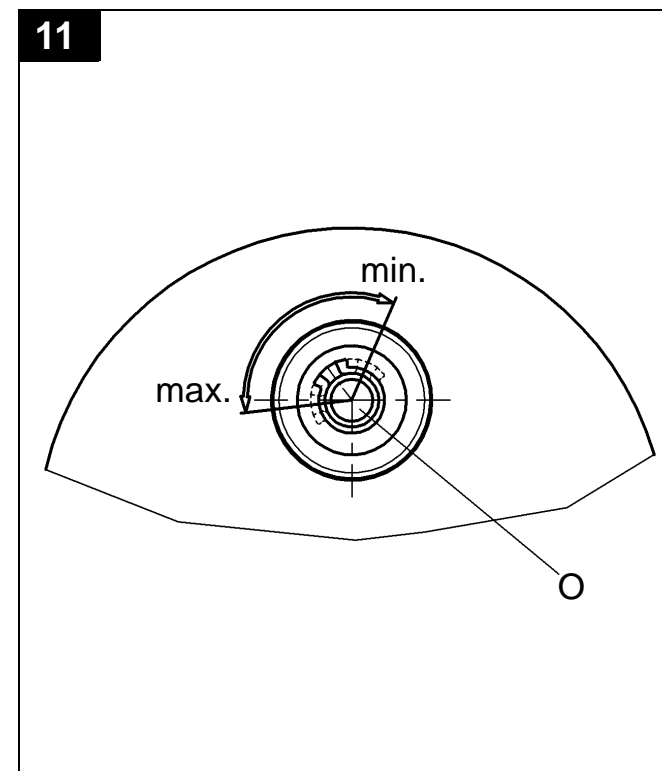
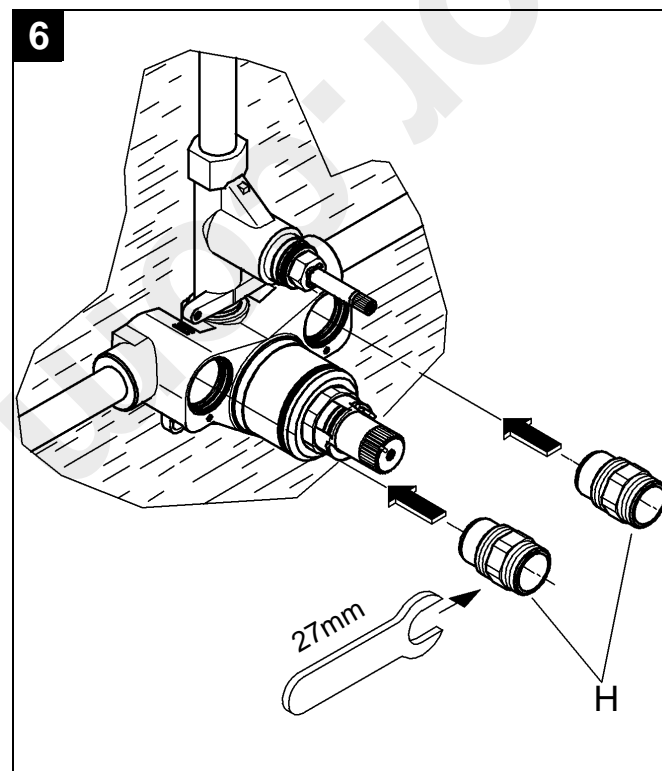
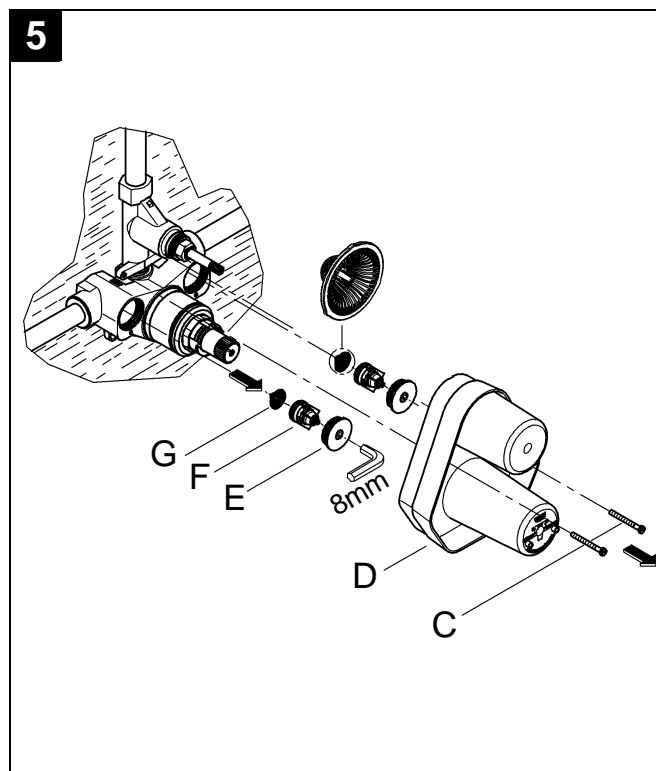
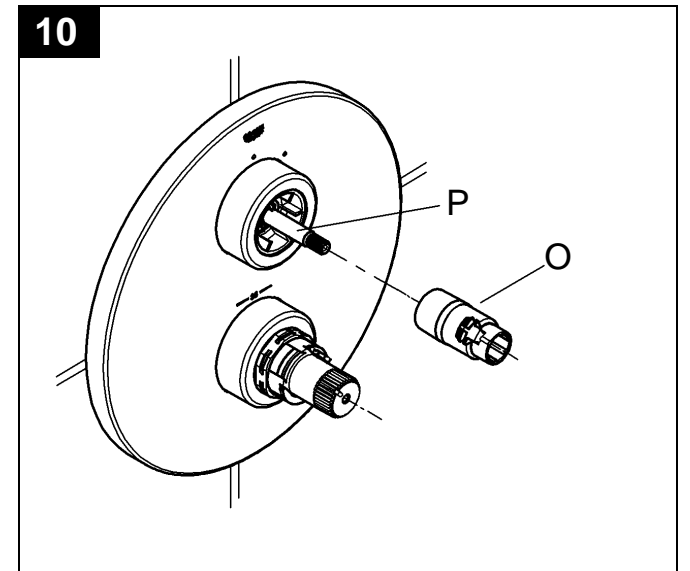
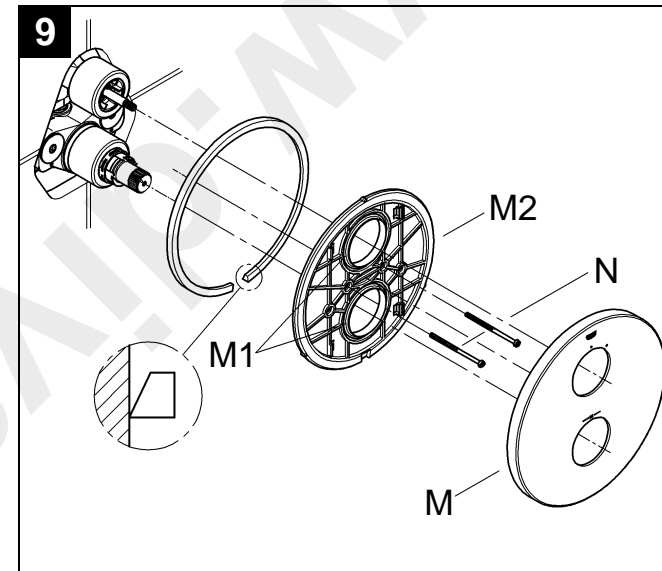
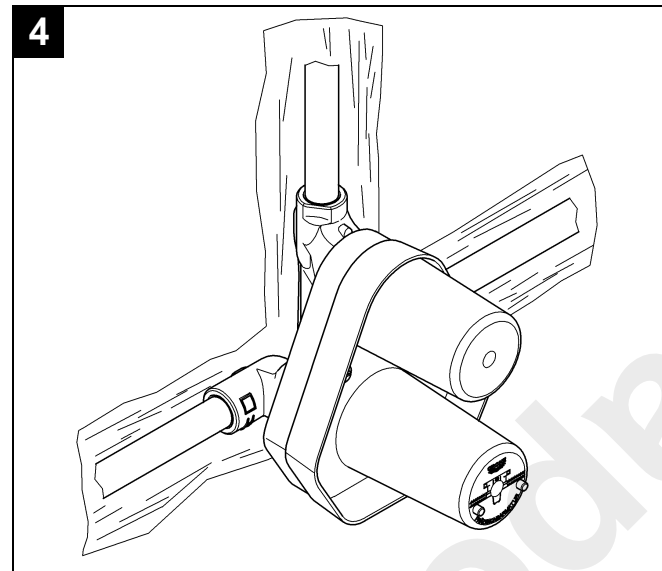
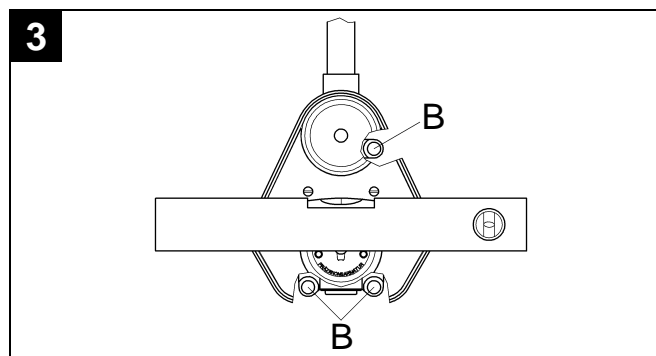
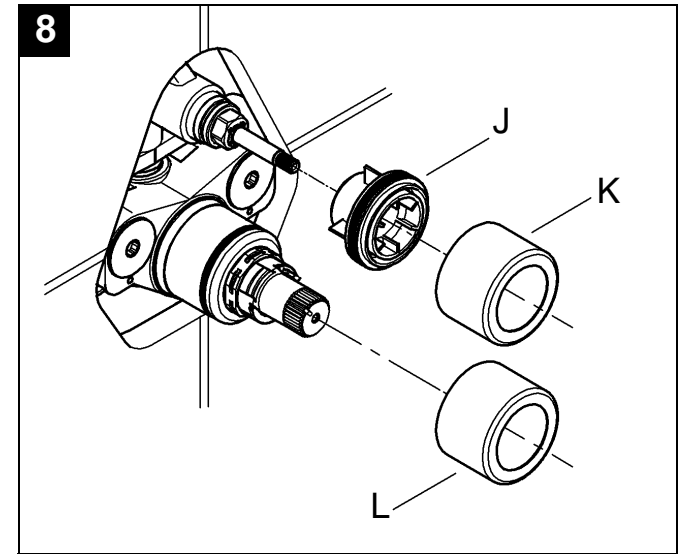
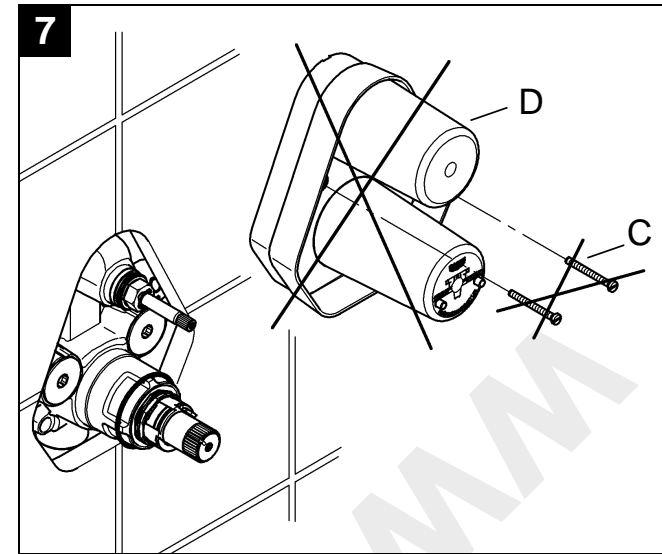
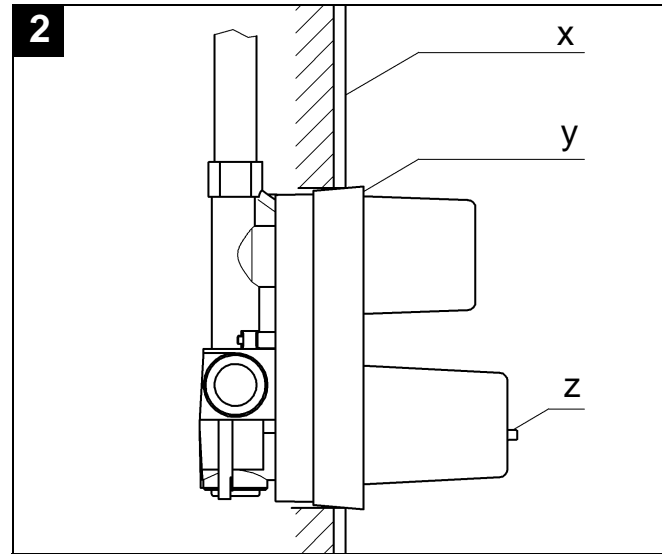
GB1



Please pass these instructions on to the end user of the fitting.



1	a	b	c
	1/2"		29 800
	ø 15mm		29 801
	3/4"		29 802
	ø 18mm		29 803
	ø 22mm		29 804





Safety notes



Protection against scalding

It is recommended that near points of discharge with particular sensitivity to the outlet temperature (hospitals, schools, nursing and retirement homes) thermostatic devices should be installed which can limit the water temperature to 43 °C. The product includes an appropriate temperature end stop. It is generally recommended that the temperature of shower-systems should not exceed 38 °C in nurseries and specific areas of care centres. Use Grohtherm Special thermostats with special handle to facilitate thermal disinfection and appropriate safety end stop. Applicable standards (e. g. EN 806-2) and technical regulations for drinking water must be observed.

Application

Thermostat mixers are designed for hot water supplies from pressurised storage heaters and offer the highest temperature accuracy when used in this way. Given sufficient output (min. 18 kW or 250 kcal per min), electric or gas-fired instantaneous heaters are also suitable.

Thermostat mixers cannot be used in conjunction with low-pressure storage heaters (displacement heaters).

All thermostat mixers are adjusted at the factory at a flow pressure of 3 bar on both sides.

The built-in thermostat only shuts off the upper outlet. An additional stop valve must be fitted if the lower outlet is used.

For an order number index to the various installation components for the concealed mixer, see fold out page II fig. [1].

a = Size of union
b = Part
c = Part No.

Technical Data

Minimum flow pressure without downstream resistances	0.5 bar
Minimum flow pressure with downstream resistances	1 bar
Max. operating pressure	10 bar
Recommended flow pressure	1 - 5 bar
Test pressure	16 bar
Flow rate at 3 bar flow pressure	approx. 24 l/min
Max. water temperature at hot water inlet	80 °C
Recommended max. flow temperature (for energy saving)	60 °C
Safety stop	38 °C
Hot water temperature at supply connection min. 2 °C higher than mixed water temperature.	
Hot water connection - W - (-H-)	left
Cold water connection - K - (-C-)	right
Minimum flow rate	5 l/min

At a flow pressure over 5 bar it is recommended that a pressure reducing valve be fitted in the supply line.

New installations

- Prepare wall ready for mixer.
Drill holes for thermostat mixer and chase-out grooves for pipelines.

- Observe the installation depth in accordance with the instructions given on the mounting template, see also fold out page II fig. [2].

x = Face of tiles
y = Front face of mounting template
z = Resting point for spirit level

- Align the mixer horizontally, vertically and parallel to the wall, see fig. [3] (place a spirit level on the cams or face of the mounting template).
- Install concealed thermostat mixer module in wall and connect pipelines, see fig. [4].

The housing is provided with pre-drilled holes (B) to facilitate mounting the fitting to the wall, see fig. [3].

- **Do not solder the connections between the pipelines and housing**, otherwise the built-in non-return valves may be damaged.

- Seal the open outlet with screw plug.

Note!

- **The hot water supply must be connected on the left** (marked W (H) on housing) **and the cold water supply on the right** (marked K (C) on housing), **as viewed from the operating position.**

Open cold and hot water supplies.

Test the pipelines and concealed thermostat module connections for leaks.

Flush pipelines thoroughly.

1. Remove screws (C) and mounting template (D), see fig. [5].
2. Close the hot and cold water supplies.
3. Remove screw plug (E).
4. Remove non-return valve (F) and filter (G).
5. Install flushing plugs (H) in non-return valve seat recesses, see fig. [6].
6. Open the hot and cold water supplies and flush pipes thoroughly.
7. Close the hot and cold water supplies and remove flushing plugs (H).
8. Install filter (G) and non-return valve (F), see fig. [5].
9. Install screw plug (E).
10. Reinstall mounting template (D).

Plaster and tile the wall, excluding the area occupied by the mounting template. Seal any apertures in the wall so that they are watertight to spray water.

- Tiles laid in mortar should be pointed so that the joint is tapered towards the outside.

- Seal prefabricated walls with a permanently plastic compound.

Do **not** remove the fitting template before final installation.

Final installation

1. Remove screws (C) and mounting template (D), see fig. [7].
2. Install holder (J) and fit sleeve (K) and (L), see fig. [8].
3. Grease the seals (M1) for the escutcheon mounting bracket (M2) with the special grease supplied and install escutcheon mounting bracket (M2) with screws (N), see fig. [9].
4. Fit the escutcheon (M).

If the thermostat has been installed at too great a depth, this can be adjusted by 27.5mm with an extension set (see fold-out page I, ref. No. 47 200).

Open cold and hot water supplies.

Installation of the flow control knob (S) and adjustment of the economy stop, see fold-out page II, figs. [10] to [12].

- The flow rate is limited by the economy stop (O) supplied, see fig. [10].

To install the flow control knob (S), proceed as follows:

1. Close the ceramic headpart (P) by turning clockwise.
2. Install the economy stop (O) in the desired position.

For possible settings, see fig. [11].

3. Fit splined adapter (Q), see fig. [12].
4. Fit fastening set (R).
5. Install flow control knob (S) so that the button (S1) is at top. If a higher rate is desired, the stop can be overridden by depressing the button (S1).

Reversed connection (hot on right - cold on left). Replace thermostatic compact cartridge (T), see Replacement Parts, fold-out page I, Prod. no. 47 175 (1/2").

Adjustment

Installation of the temperature control handle (U) and temperature adjustment, see fold-out page III, figs. [13] and [14].

- Before the mixer is put into service if the mixed water temperature measured at the point of discharge varies from the specified temperature set on the thermostat.
 - After any maintenance operation on the thermoelement.
1. Open the shut-off valve and check the temperature of the water with a thermometer, see fig. [13].
 2. Turn the adjusting nut (V) clockwise or anticlockwise until the water temperature reaches 38 °C.
 3. Fit fastening set (W), see fig. [14].
 4. Install temperature control handle (U) so that the button (U1) is at top.

Temperature limitation

The safety stop limits the temperature range to 38 °C. If a higher temperature is desired, the 38 °C limit can be overridden by depressing the button (U1), see fig. [14].

Temperature end stop

If the temperature end stop is at 43 °C, insert accompanying temperature limiter (Z) in temperature selection handle (U), see Fig. [14].

Prevention of frost damage

When the domestic water system is drained, thermostat mixers must be drained separately, since non-return valves are installed in the hot and cold water connections.

The complete thermostat assemblies and non-return valves must be unscrewed and removed.

Maintenance

Inspect and clean all parts, replace if necessary and grease with special valve grease.

Shut off cold and hot water supplies.

I. Thermostatic compact cartridge (T), see fold-out page III, fig. [15] to [17].

- Loosen screw ring (X) using a 34mm tool.
- If necessary, lever out thermostatic compact cartridge (T) via recess (T1).
- Remove screw ring (X).

Assemble in reverse order.

Observe the correct installation position of the thermostatic compact cartridge (T), see detail (T2).

Readjustment is necessary after every maintenance operation on the thermostatic compact cartridge (see Adjusting).

II. Non-return valve (F) or (F1), see fold-out page III figs. [15], [16], [18] and [19].

Assemble in reverse order.

III. Ceramic headpart (P), see fold-out page III figs. [15], [16] and [18].

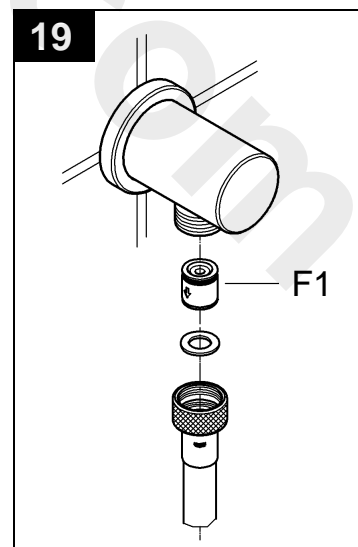
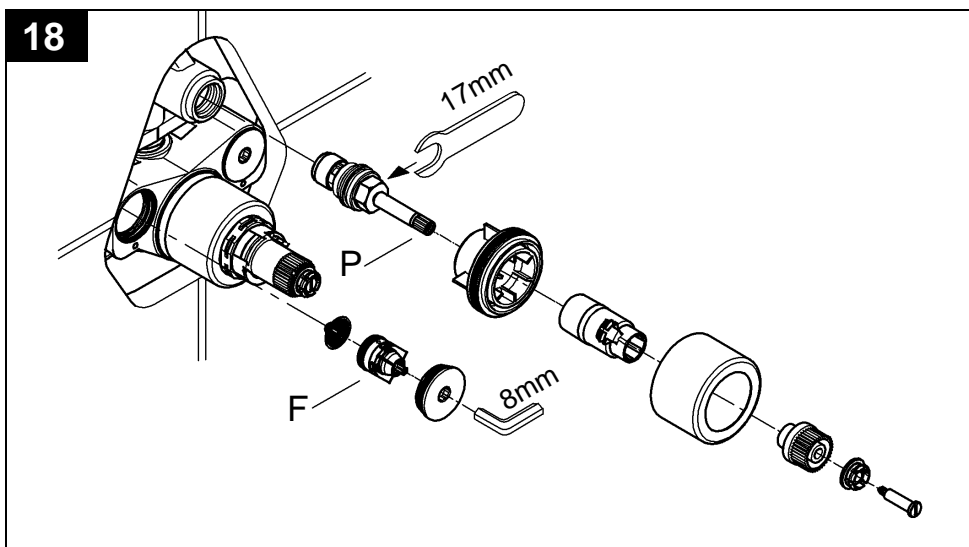
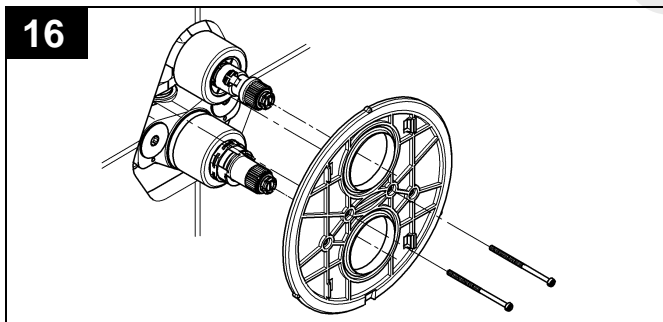
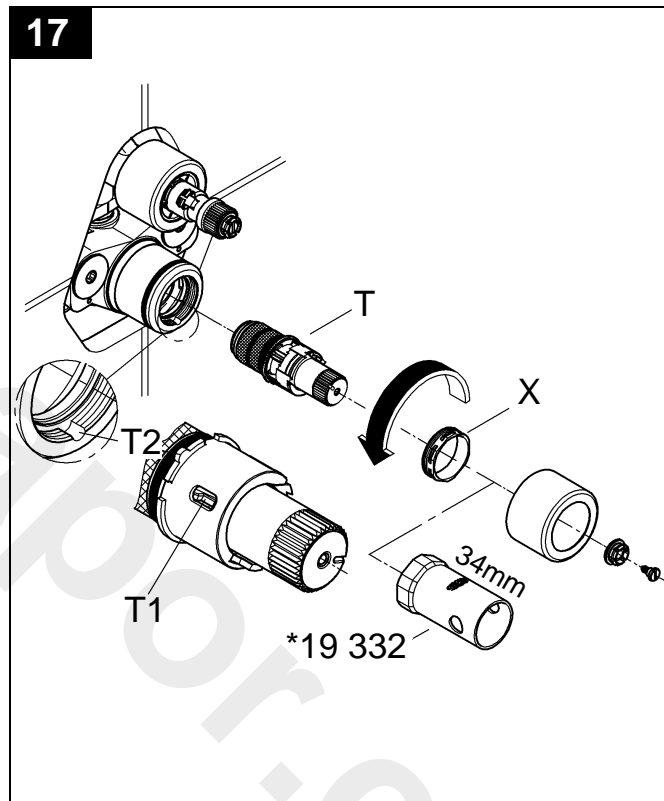
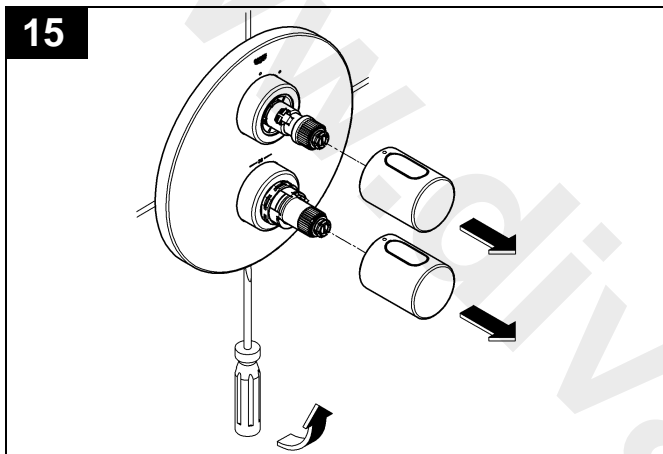
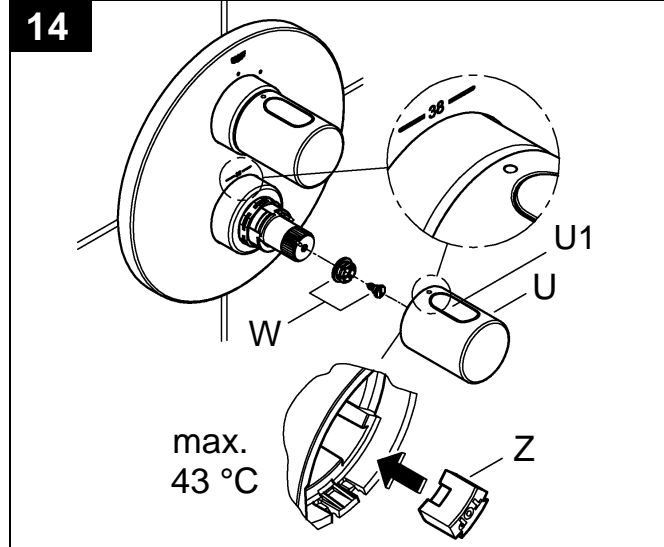
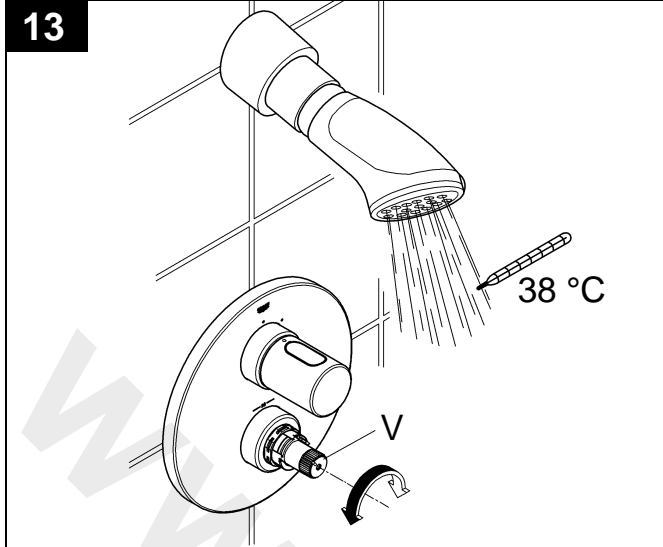
Assemble in reverse order.

Observe the correct mounting positions!

Replacement parts, see fold-out page I (* = special accessories).

Care

For directions on the care of this fitting refer to the accompanying Care Instructions.



Pure Freude an Wasser

GROHE

D
☎ +49 571 3989 333
impresum@grohe.de

A
☎ +43 1 68060
info-at@grohe.com

AUS
Argent Sydney
☎ +(02) 8394 5800
Argent Melbourne
☎ +(03) 9682 1231

B
☎ +32 16 230660
info.be@grohe.com

BG
☎ +359 2 9719959
grohe-bulgaria@grohe.com

CAU
☎ +99 412 497 09 74
info-az@grohe.com

CDN
☎ +1 888 6447643
info@grohe.ca

CH
☎ +41 448777300
info@grohe.ch

CN
☎ +86 21 63758878

CY
☎ +357 22 465200
info@grome.com

CZ
☎ +420 277 004 190
grohe-cz@grohe.com

DK
☎ +45 44 656800
grohe@grohe.dk

E
☎ +34 93 3368850
grohe@grohe.es

EST
☎ +372 6616354
grohe@grohe.ee

F
☎ +33 1 49972900
marketing-fr@grohe.com

FIN
☎ +358 10 8201100
teknocalor@teknocalor.fi

GB
☎ +44 871 200 3414
info-uk@grohe.com

GR
☎ +30 210 2712908
nsapountzis@ath.forthnet.gr

H
☎ +36 1 2388045
info-hu@grohe.com

HK
☎ +852 2969 7067
info@grohe.hk

I
☎ +39 2 959401
info-it@grohe.com

IND
☎ +91 124 4933000
customercare.in@grohe.com

IS
☎ +354 515 4000
jonst@byko.is

J
☎ +81 3 32989730
info@grohe.co.jp

KZ
☎ +7 727 311 07 39
info-cac@grohe.com

LT
☎ +372 6616354
grohe@grohe.ee

LV
☎ +372 6616354
grohe@grohe.ee

MAL
☎ +1 800 80 6570
info-singapore@grohe.com

N
☎ +47 22 072070
grohe@grohe.no

NL
☎ +31 79 3680133
vragen-nl@grohe.com

NZ
☎ +09/373 4324

P
☎ +351 234 529620
commercial-pt@grohe.com

PL
☎ +48 22 5432640
biuro@grohe.com.pl

RI
☎ +62 21 2358 4751
info-singapore@grohe.com

RO
☎ +40 21 2125050
info-ro@grohe.com

ROK
☎ +82 2 559 0790
info-singapore@grohe.com

RP
☎ +63 2 8041617

RUS
☎ +7 495 9819510
info@grohe.ru

S
☎ +46 771 141314
grohe@grohe.se

SGP
☎ +65 6 7385585
info-singapore@grohe.com

SK
☎ +420 277 004 190
grohe-cz@grohe.com

T
☎ +66 2610 3685
info-singapore@grohe.com

TR
☎ +90 216 441 23 70
GroheTurkey@grome.com

UA
☎ +38 44 5375273
info-ua@grohe.com

USA
☎ +1 800 4447643
us-customerservice@grohe.com

VN
☎ +84 8 5413 6840
info-singapore@grohe.com

AL BIH HR KS
ME MK SLO SRB
☎ +385 1 2911470
adria-hr@grohe.com

**Eastern Mediterranean,
Middle East - Africa
Area Sales Office:**
☎ +357 22 465200
info@grome.com

IR OM UAE YEM
☎ +971 4 3318070
grohedubai@grome.com

Far East Area Sales Office:
☎ +65 6311 3600
info@grohe.com.sg

www.grohe.com

2014/03/21