

## AXOR Citterio M

**3-hole basin mixer for concealed installation wall-mounted with spout 166 mm, star handles and escutcheons**

Finish: **Polished Gold Optic** Article Number: **34215990**



### product features

- consists of: 3-hole basin mixer for concealed installation wall-mounted, waste set
- projection: 166 mm
- handle variant: star handle
- spray type: normal spray
- maximum flow rate at 3 bar: 5 l/min
- ceramic valves hot/ cold 180°
- suitable for continuous flow water heaters
- non-closing waste set
- connection type: basic set
- connection dimension: DN15

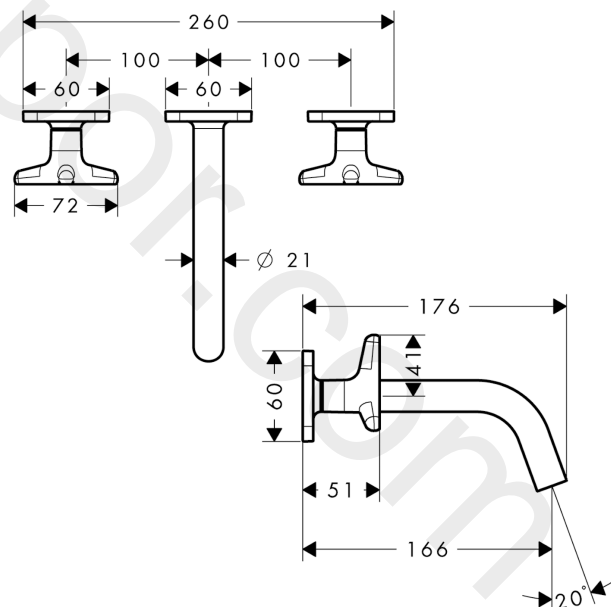
### Technology



### Product image



### Scale drawing



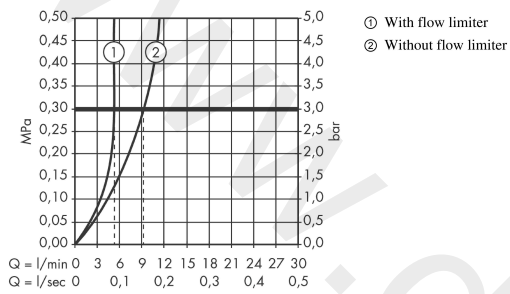
## AXOR Citterio M

3-hole basin mixer for concealed installation wall-mounted with spout 166 mm, star handles and escutcheons

Finish: **Polished Gold Optic** Article Number: **34215990**



### Flowchart



## AXOR Citterio M

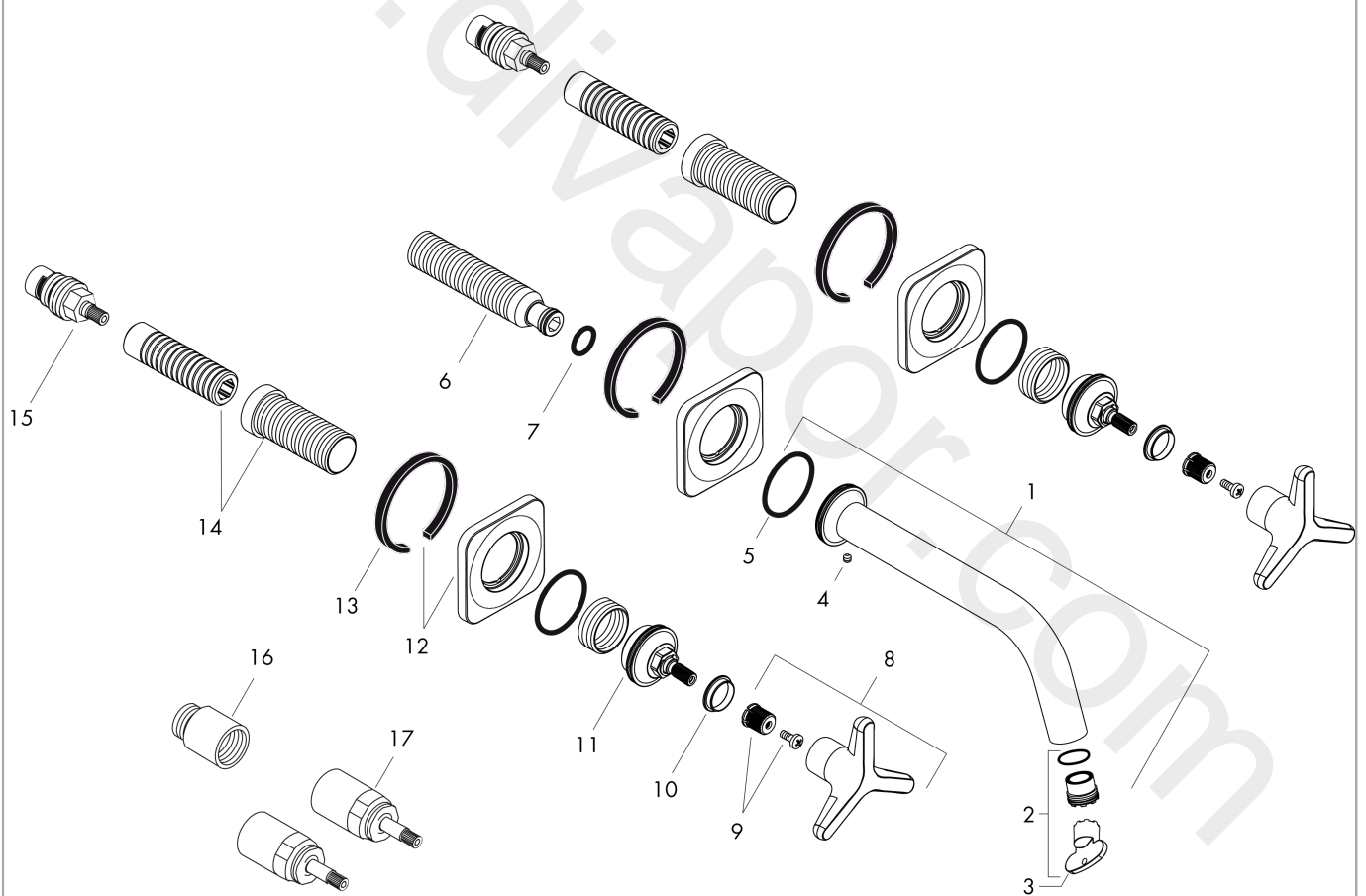
3-hole basin mixer for concealed installation wall-mounted with spout 166 mm, star handles and escutcheons

Finish: **Polished Gold Optic** Article Number: **34215990**



### Exploded Drawing

Year of production: >01/17



## AXOR Citterio M

**3-hole basin mixer for concealed installation wall-mounted with spout 166 mm, star handles and escutcheons**

Finish: **Polished Gold Optic** Article Number: **34215990**



### Spare part list

Year of production: >01/17

Pos.		Article Number	Price	PU
1	spout 165 mm	98934990	£ 260,00	1
2	aerator cpl.	93118000	£ 25,00	1
3	special tool	98987000	£ 9,00	1
4	hollow set screw M4x5	92846000	£ 13,30	1
5	O-ring 30x1,5	98433000	£ 3,30	1
6	connecting thread G½	98933000	£ 64,00	1
7	O-ring 11x2	98127000	£ 3,30	1
8	handle	95864990	£ 118,00	1
9	handle fixing set	98932000	£ 16,10	1
10	set of color-rings cold / hot water	98927000	£ 20,50	1
11	nut	98929990	£ 96,00	1
12	escutcheon	98930990	£ 96,00	1
13	seal	97530000	£ 6,10	1
14	fixing set	96393000	£ 35,00	1
15	shut off unit	94149000	£ 35,00	1
16	extension 25 mm	96259000	£ 79,00	1
17	extension 25 mm	95413000	£ 79,00	1
a	base body	10303180	£ 300,00	1
b	waste	50001990	£ 106,56	1
c	sealing foil	96383000	£ 46,00	1