

AXOR Citterio M

3-hole basin mixer 160 with lever handles, escutcheons and pop-up waste set

Finish: **Polished Red Gold** Article Number: **34133300**



product features

- consists of: 3-hole basin mixer, waste set
- ComfortZone 160
- projection: 135 mm
- spout height: 156 mm
- handle variant: lever handle
- spray type: normal spray
- maximum flow rate at 3 bar: 5 l/min
- ceramic valves hot/cold 90°
- suitable for continuous flow water heaters
- pop-up waste set G 1¼
- connection type: G ¾ connections
- connection dimension: DN15
- WRAS 2305011
- WRAS 2305011 - Approval letter 2305011

Article Details

Price excl. VAT

962,50 £

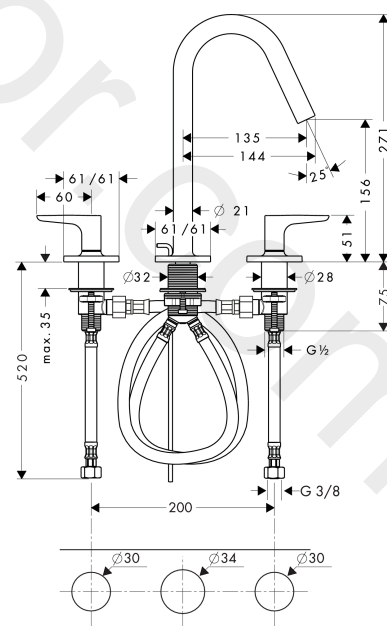
Technology



Product image



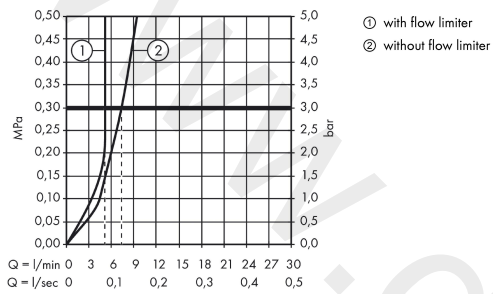
Scale drawing



AXOR Citterio M
3-hole basin mixer 160 with lever handles, escutcheons and pop-up waste set
 Finish: **Polished Red Gold** Article Number: **34133300**



Flowchart

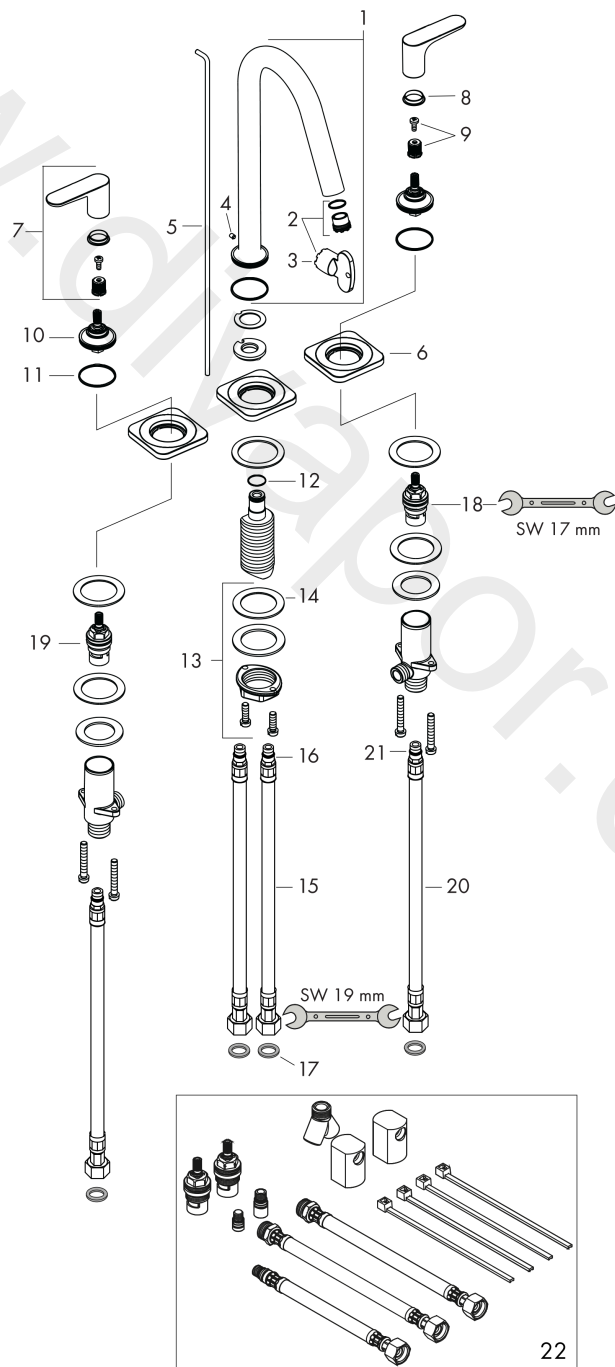


AXOR Citterio M
3-hole basin mixer 160 with lever handles, escutcheons and pop-up waste set
 Finish: **Polished Red Gold** Article Number: **34133300**



Exploded Drawing

Year of production: >10/16



AXOR Citterio M
3-hole basin mixer 160 with lever handles, escutcheons and pop-up waste set
 Finish: **Polished Red Gold** Article Number: **34133300**



Spare part list

Year of production: >10/16

Pos.		Article Number	Price	PU
1	spout cpl.	98928300	£ 667,50	1
2	aerator cpl.	93118000	£ 25,00	1
3	special tool	98987000	£ 9,00	1
4	hollow set screw M4x5	92846000	£ 13,30	1
5	pull rod	95701300	£ 64,00	1
6	escutcheon	98930300	£ 96,00	1
7	handle	34095300	£ 96,00	1
8	set of color-rings cold / hot water	98927000	£ 20,50	1
9	handle fixing set	98932000	£ 16,10	1
10	nut	98929000	£ 64,00	1
11	O-ring 30x1,5	98433000	£ 3,30	1
12	O-ring 11x2	98127000	£ 3,30	1
13	fixing set (Ø 32)	13961000	£ 25,00	1
14	lever collar	97548000	£ 3,30	1
15	connection hose 450 mm M8x0,75 G3/8	97206000	£ 35,00	1
16	O-ring 7x1,5	98422000	£ 3,30	1
17	sealing set	95581000	£ 6,10	1
18	shut off unit left closing	94008000	£ 43,00	1
19	shut off unit right closing	94009000	£ 43,00	1
20	connection hose 450 mm M10x1 G3/8	96507000	£ 43,00	1
21	O-ring 8x1,75	97827000	£ 3,30	1
22	Hose extension set for 3-Hole Basin Mixer	38959000	£ 147,00	1
a	pop up waste	94139300	£ 144,00	1
b	fixation extension 35 mm	13898000	£ 79,00	1