

AXOR Citterio M
2-hole basin mixer 160 with pop-up waste set
 Finish: **Chrome** Article Number: **34132000**



product features

- consists of: 2-hole basin mixer, waste set
- ComfortZone 160
- projection: 135 mm
- spout height: 156 mm
- handle variant: lever handle
- spray type: normal spray
- maximum flow rate at 3 bar: 5 l/min
- ceramic cartridge
- temperature limitation adjustable
- suitable for continuous flow water heaters
- pop-up waste set G 1¼
- connection type: G ¾ connections
- connection dimension: DN15
- flexible arrangement of control unit and spout possible
- EU taxonomy: max. 6 l/min - Substantial Contribution (SC)

Article Details

Price excl. VAT

579,17 £

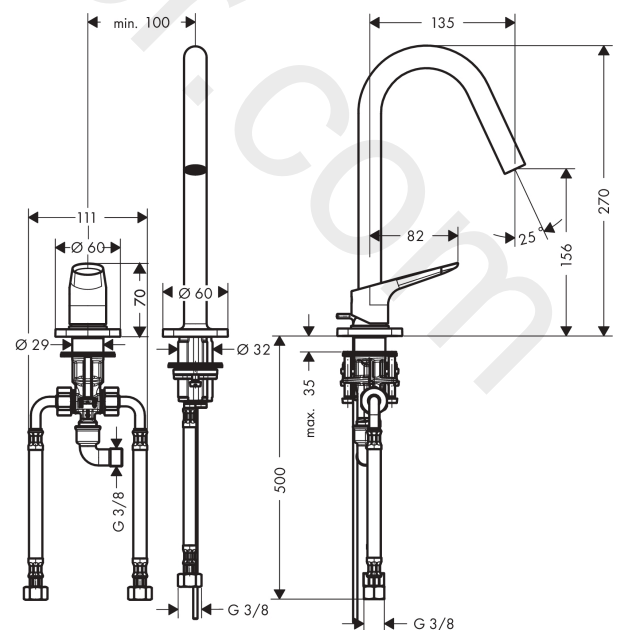
Technology



Product image



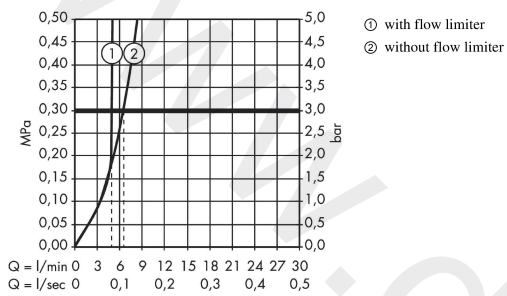
Scale drawing



AXOR Citterio M
2-hole basin mixer 160 with pop-up waste set
 Finish: **Chrome** Article Number: **34132000**



Flowchart

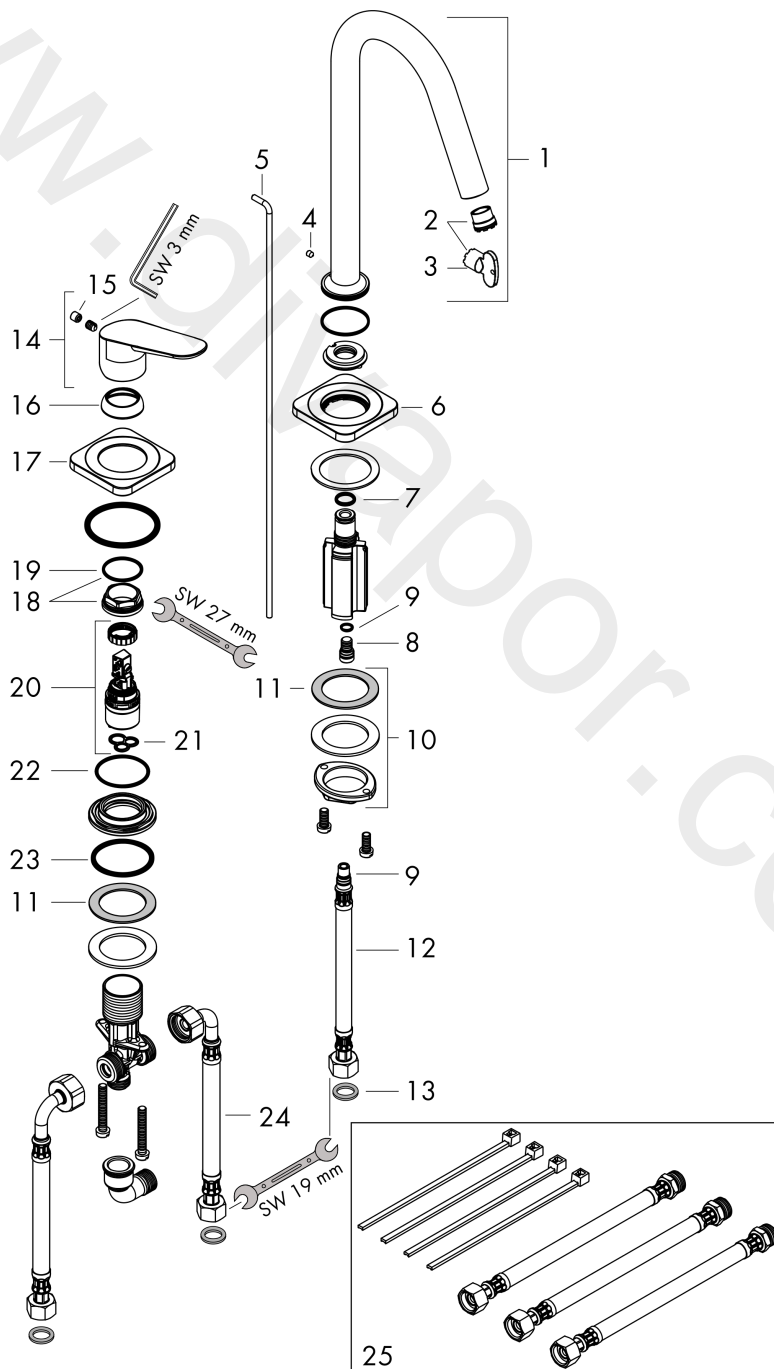


AXOR Citterio M
2-hole basin mixer 160 with pop-up waste set
 Finish: **Chrome** Article Number: **34132000**



Exploded Drawing

Year of production: >06/12



AXOR Citterio M
2-hole basin mixer 160 with pop-up waste set
 Finish: **Chrome** Article Number: **34132000**



Spare part list

Year of production: >06/12

Pos.		Article Number	Price	PU
1	spout cpl.	98928000	£ 445,00	1
2	aerator cpl.	93118000	£ 25,00	1
3	special tool	98987000	£ 9,00	1
4	hollow set screw M4x5	92846000	£ 13,30	1
5	pull rod	95701000	£ 43,00	1
6	escutcheon	98930000	£ 64,00	1
7	O-ring 11x2	98127000	£ 3,30	1
8	plug	92313000	£ 9,00	1
9	O-ring 7x1,5	98422000	£ 3,30	1
10	fixing set (Ø 32)	13961000	£ 25,00	1
11	lever collar	97548000	£ 3,30	1
12	connection hose 450 mm M8x0,75 G3/8	97206000	£ 35,00	1
13	sealing set	95581000	£ 6,10	1
14	handle	34093000	£ 79,00	1
15	screw cover	96762000	£ 3,30	1
16	flange	98863000	£ 51,00	1
17	escutcheon	95998000	£ 96,00	1
18	nut	95178000	£ 43,00	1
19	O-Ring 22x2	98185000	£ 3,30	1
20	cartridge, assy	97685000	£ 64,00	1
21	seal	98865000	£ 35,00	1
22	O-ring 36x2	98156000	£ 3,30	1
23	O-ring 40x3	92634000	£ 3,30	1
24	connection hose 450 mm G½ x G3/8	95738000	£ 43,00	1
25	Hose extension set for 2-Hole Basin Mixer	38960000	£ 66,00	1
a	pop up waste	94139000	£ 96,00	1
b	fixation extension 35 mm	13898000	£ 79,00	1
c	Grease	90920000	£ 16,10	1