

## AXOR Citterio M

Single lever basin mixer for concealed installation wall-mounted with spout 167 mm and escutcheons

Finish: **Chrome** Article Number: **34113000**



### product features

- consists of: single lever basin mixer for concealed installation wall-mounted, waste set
- projection: 167 mm
- handle variant: lever handle
- spray type: normal spray
- maximum flow rate at 3 bar: 5 l/min
- ceramic cartridge
- temperature limitation adjustable
- suitable for continuous flow water heaters
- non-closing waste set
- connection type: basic set
- connection dimension: DN15
- handle can be positioned on the right or left, depending on the basic set installation
- WRAS 2009002
- WRAS 2009002 - WRAS Approval Letter

### Article Details

Price excl. VAT

579,17 £

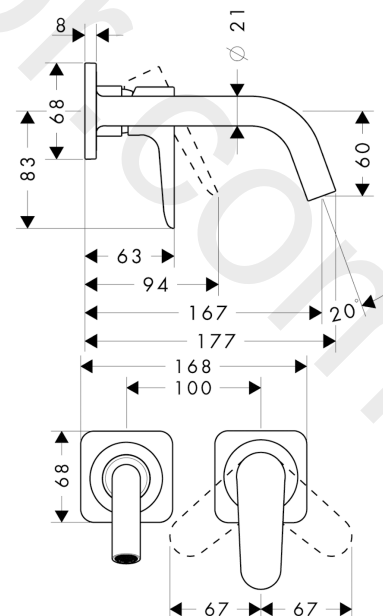
### Technology



### Product image



### Scale drawing



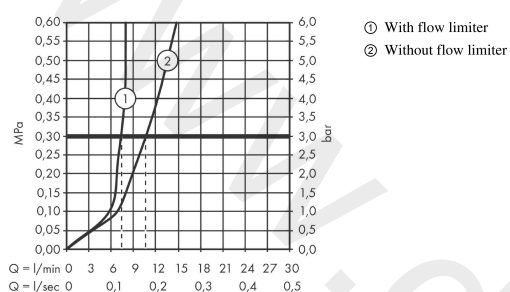
## AXOR Citterio M

Single lever basin mixer for concealed installation wall-mounted with spout 167 mm and escutcheons

Finish: **Chrome** Article Number: **34113000**



### Flowchart



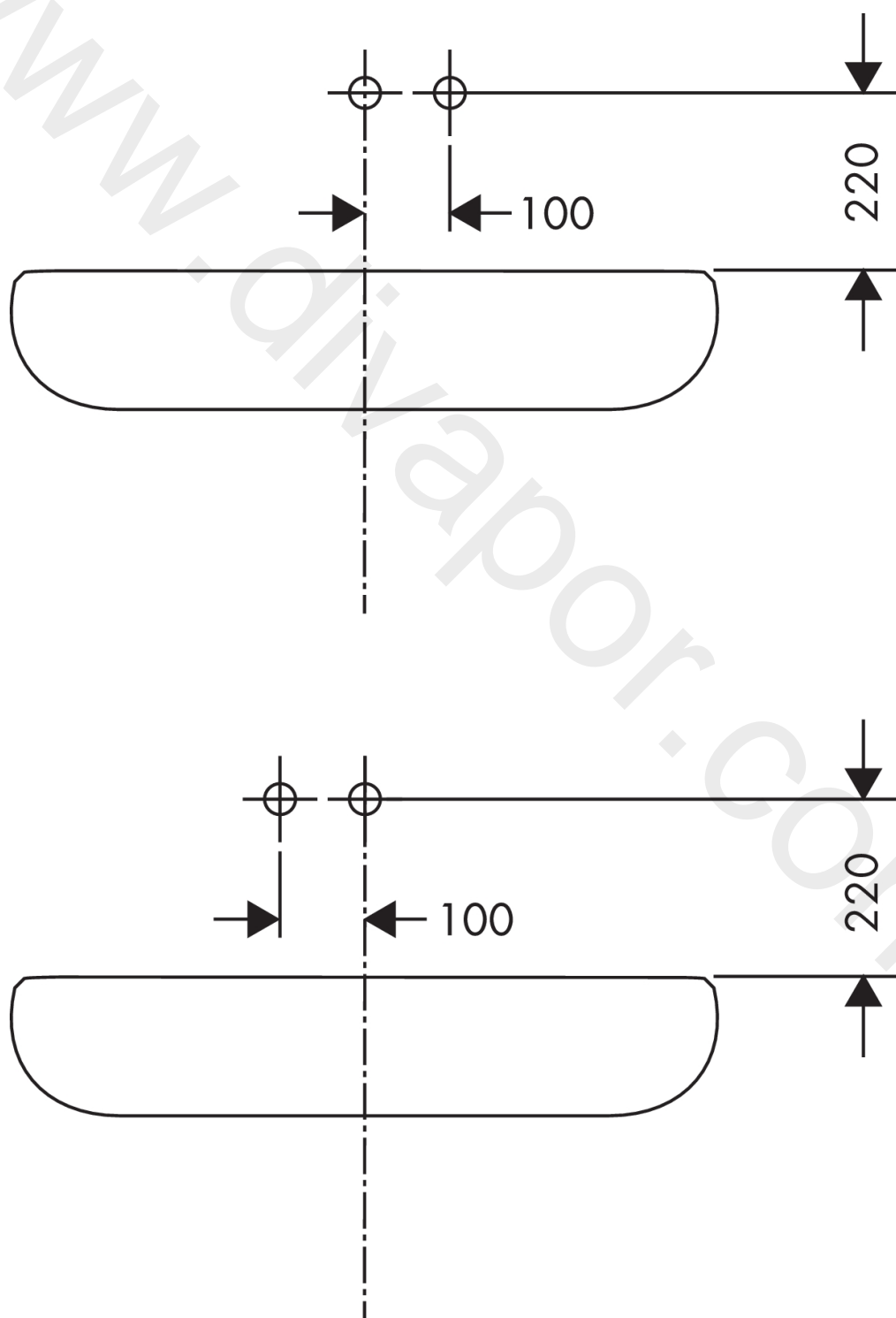
## AXOR Citterio M

Single lever basin mixer for concealed installation wall-mounted with spout 167 mm and escutcheons

Finish: **Chrome** Article Number: **34113000**



### Installation examples

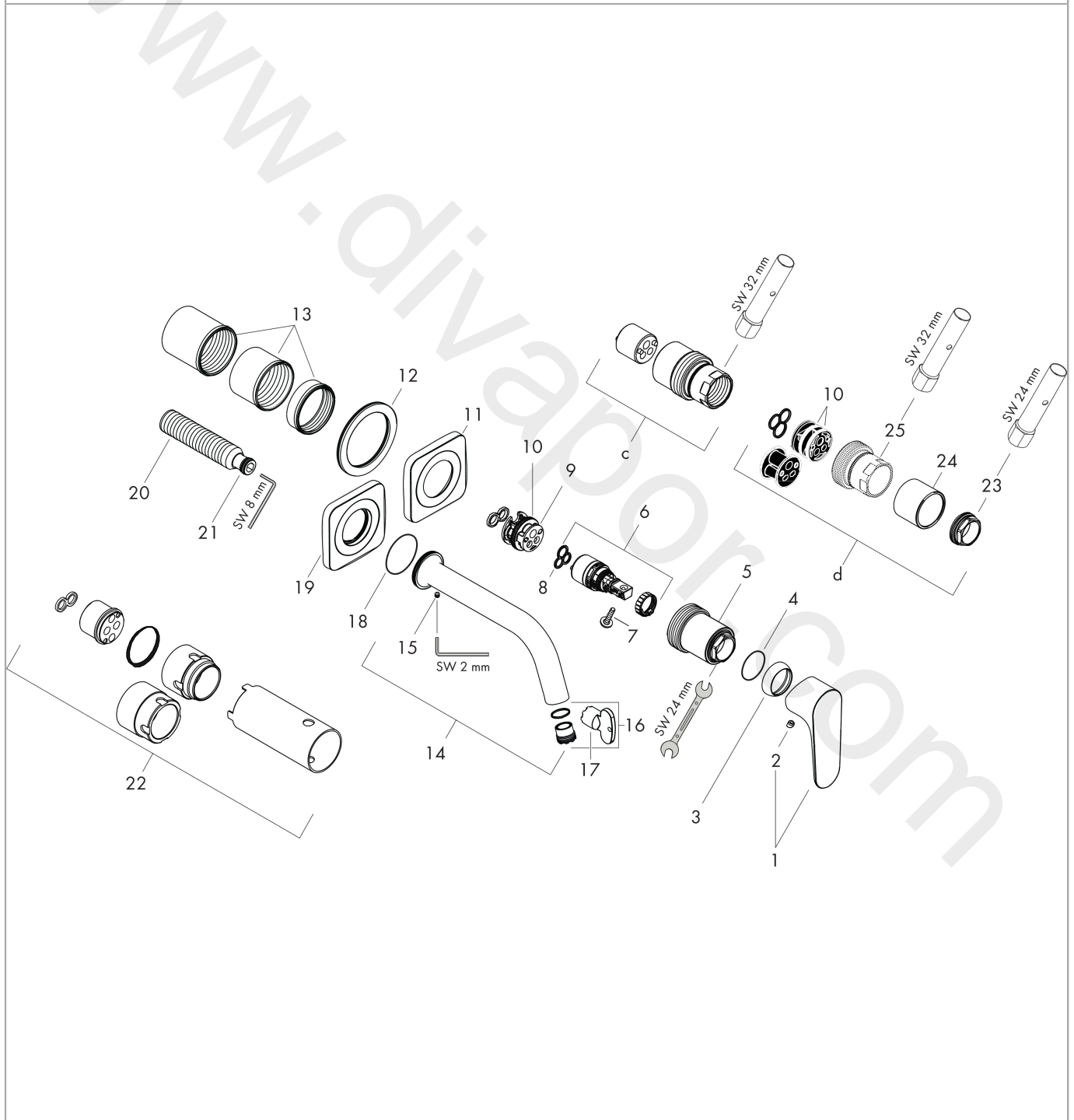


**AXOR Citterio M**  
**Single lever basin mixer for concealed installation wall-mounted with spout 167 mm and**  
**escutcheons**  
 Finish: **Chrome** Article Number: **34113000**



## Exploded Drawing

Year of production: >03/10



## AXOR Citterio M

Single lever basin mixer for concealed installation wall-mounted with spout 167 mm and escutcheons



Finish: **Chrome** Article Number: **34113000**

### Spare part list

Year of production: >03/10

Pos.		Article Number	Price	PU
1	handle	34097000	£ 79,00	1
2	screw cover	96338000	£ 3,30	1
3	flange	98863000	£ 51,00	1
4	O-Ring 22x2	98185000	£ 3,30	1
5	nut	95633000	£ 64,00	1
6	cartridge, assy	97685000	£ 64,00	1
7	locking screw for handle	95140000	£ 6,10	1
8	seal	98865000	£ 35,00	1
9	adapter for cartridge	95634000	£ 13,30	1
10	O-ring 26x2	98147000	£ 3,30	1
11	escutcheon for handle	98959000	£ 137,00	1
12	washer	97600000	£ 13,30	1
13	fixing set	97971000	£ 43,00	1
14	spout 165 mm	98934000	£ 173,00	1
15	hollow set screw M4x5	92846000	£ 13,30	1
16	aerator cpl.	93118000	£ 25,00	1
17	special tool	98987000	£ 9,00	1
18	O-ring 30x1,5	98433000	£ 3,30	1
19	escutcheon for spout	98960000	£ 110,00	1
20	connecting thread G½	98933000	£ 64,00	1
21	O-ring 11x2	98127000	£ 3,30	1
22	extension set for 34111180	34983000	£ 275,00	1
23	nut	95178000	£ 43,00	1
24	sleeve	98535000	£ 35,00	1
25	sleeve	98958000	£ 79,00	1
a	base body	13622180	£ 355,00	1
b	waste	50001000	£ 71,00	1
c	extension set 25 mm for 13622180	31971000	£ 169,00	1
d	conversion kit for 34111180	95635000	£ 96,00	1
e	adapter for exchanged connections	93819000	£ 173,00	1
f	Grease	90920000	£ 16,10	1