

**AXOR Citterio M**  
**Single lever basin mixer 100 with waste set**  
 Finish: **Chrome** Article Number: **34017000**



### product features

- consists of: single lever basin mixer, waste set
- ComfortZone 100
- projection: 128 mm
- spout height: 100 mm
- handle variant: lever handle
- spray type: normal spray
- maximum flow rate at 3 bar: 5 l/min
- ceramic cartridge
- temperature limitation adjustable
- suitable for continuous flow water heaters
- non-closing waste set
- connection type: G 3/8 connections
- connection dimension: DN15
- WRAS 2011014
- WRAS 2011014 - WRAS Approval Letter

### Article Details

Price excl. VAT

404,17 £

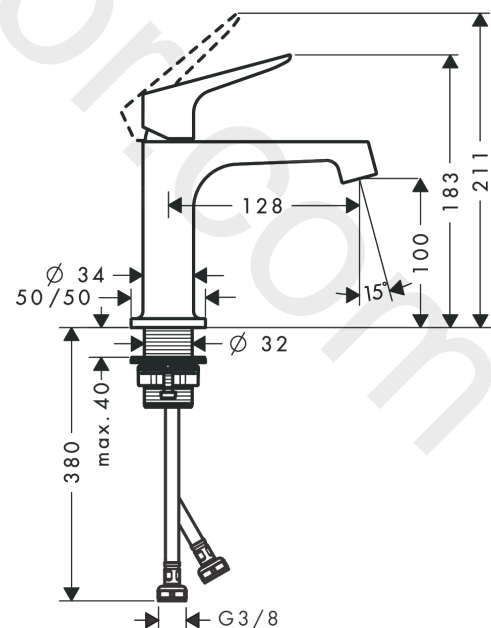
### Technology



### Product image



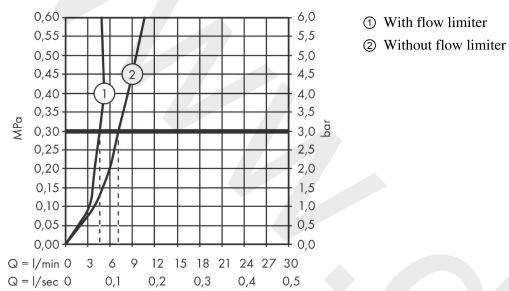
### Scale drawing



**AXOR Citterio M**  
**Single lever basin mixer 100 with waste set**  
Finish: **Chrome** Article Number: **34017000**



## Flowchart

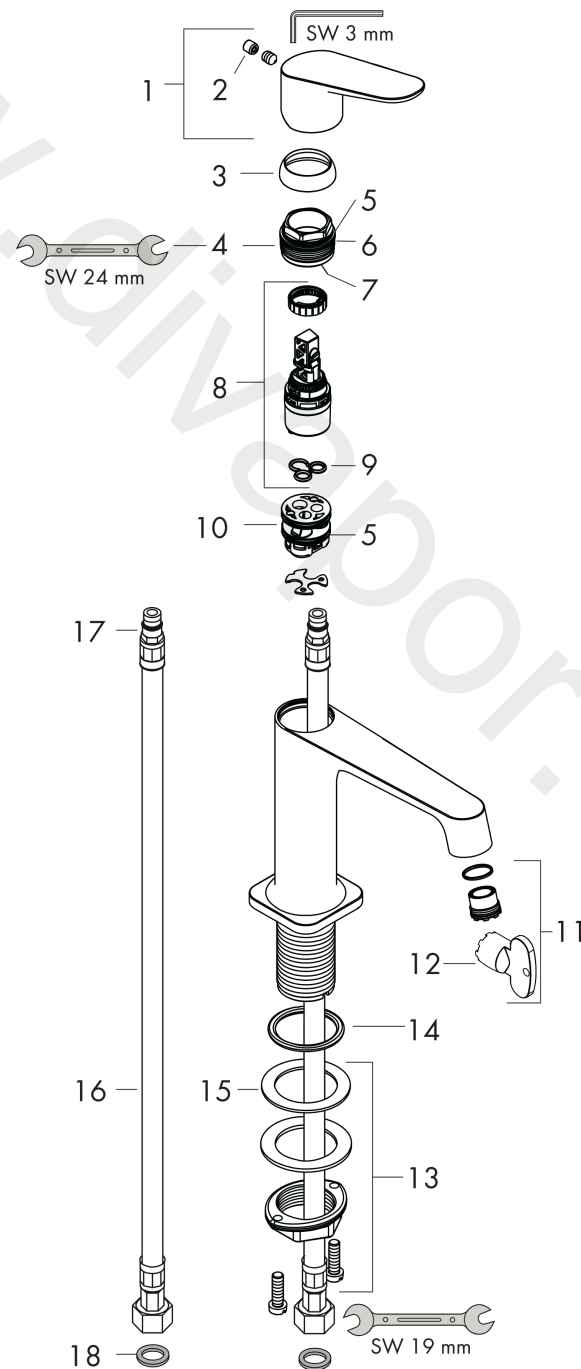


**AXOR Citterio M**  
**Single lever basin mixer 100 with waste set**  
 Finish: **Chrome** Article Number: **34017000**



## Exploded Drawing

Year of production: >02/16



**AXOR Citterio M**  
**Single lever basin mixer 100 with waste set**  
 Finish: **Chrome** Article Number: **34017000**



## Spare part list

Year of production: >02/16

Pos.		Article Number	Price	PU
1	handle	34093000	£ 79,00	1
2	screw cover	96762000	£ 3,30	1
3	flange	98863000	£ 51,00	1
4	nut	98864000	£ 43,00	1
5	O-ring 23x2	98398000	£ 3,30	1
6	O-ring 27x1,5	92527000	£ 13,30	1
7	O-ring 25x1,5	98146000	£ 3,30	1
8	cartridge, assy	97685000	£ 64,00	1
9	seal	98865000	£ 35,00	1
10	adapter for cartridge	98866000	£ 35,00	1
11	aerator cpl.	93118000	£ 25,00	1
12	special tool	98987000	£ 9,00	1
13	fixing set (Ø 32)	13961000	£ 25,00	1
14	flat seal	98749000	£ 6,10	1
15	lever collar	97548000	£ 3,30	1
16	connection hose 450 mm M8x0,75 G3/8	97206000	£ 35,00	1
17	O-ring 7x1,5	98422000	£ 3,30	1
18	sealing set	95581000	£ 6,10	1
a	fixation extension 35 mm	13898000	£ 79,00	1
b	waste	50001000	£ 71,00	1