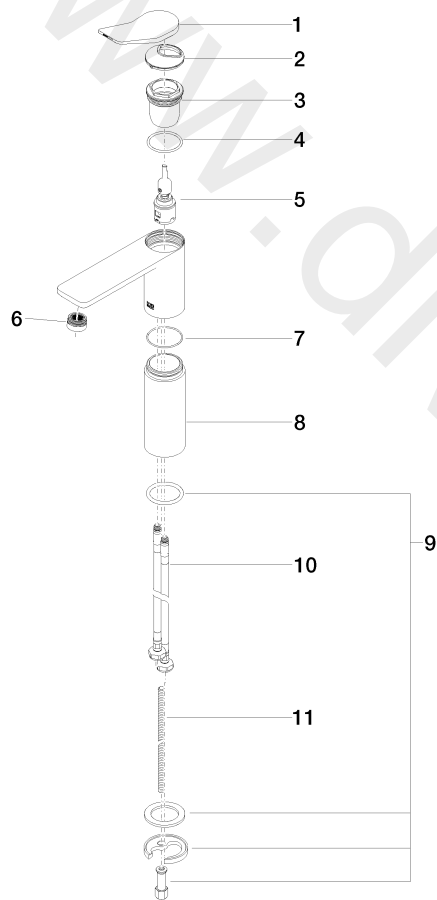


Sink - LISSÉ

Single-lever lavatory mixer with extended shank without drain - Chrome

Article number: 33 526 845-00 0010

Date of manufacture from 5/3/2021





Sink - LISSÉ

Single-lever lavatory mixer with extended shank without drain - Chrome

Article number: 33 526 845-00 0010

Date of manufacture from 5/3/2021

Spare parts list

Position	Number of units	Item Number	Spare part	Lead time
1	1	90 20 84 020 00-00	handle	10
2	1	09 28 30 034 90	cover	2
3	1	09 23 10 123 90	nut	2
4	1	09 14 10 038 90	seal	2
5	1	90 15 05 042 01 90	cartridge	2
6	1	90 23 01 161 03-00	aerator	10
7	1	09 14 10 108 90	seal	2
8	1	09 28 22 308-00	sleeve	10
9	1	04 30 11 038 75 90	fixing set	2
10	2	04 30 04 103 00 90	hose	2
11	1	09 31 11 000 90	pin	2