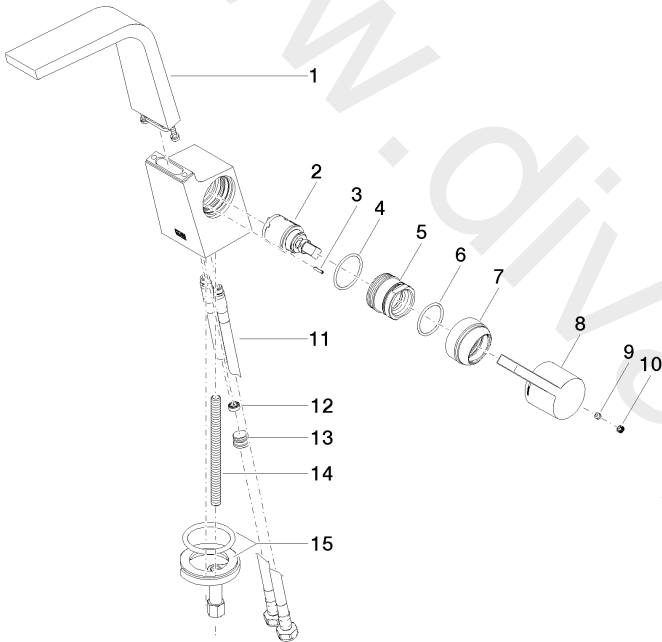


Sink - CL.1

Single-lever lavatory mixer without drain - Chrome

Article number: 33 521 705-00 0010

Date of manufacture from 5/10/2021





Sink - CL.1

Single-lever lavatory mixer without drain - Chrome

Article number: 33 521 705-00 0010

Date of manufacture from 5/10/2021

Spare parts list

Position	Number of units	Item Number	Spare part	Lead time
1	1	90 11 70 001 00-00	spout	10
2	1	90 15 05 042 00 90	cartridge	2
3	1	09 31 11 152 90	pin	2
4	1	09 14 10 137 90	seal	2
5	1	09 24 04 294 90	sleeve	2
6	1	09 14 10 063 90	seal	2
7	1	09 28 30 029-00	cover	10
8	1	09 20 67 010-00	handle	10
9	1	09 31 11 030 90	pin	2
10	1	09 31 20 109 90	plug	2
11	2	04 30 04 102 00 90	Flexible supply line 3/8" -	2
12	1	09 23 01 034 90	flow reducer	2
13	1	04 31 20 039 10 90	plug	2
14	1	09 31 11 012 90	pin	2
15	1	04 30 11 038 75 90	fixing set	2