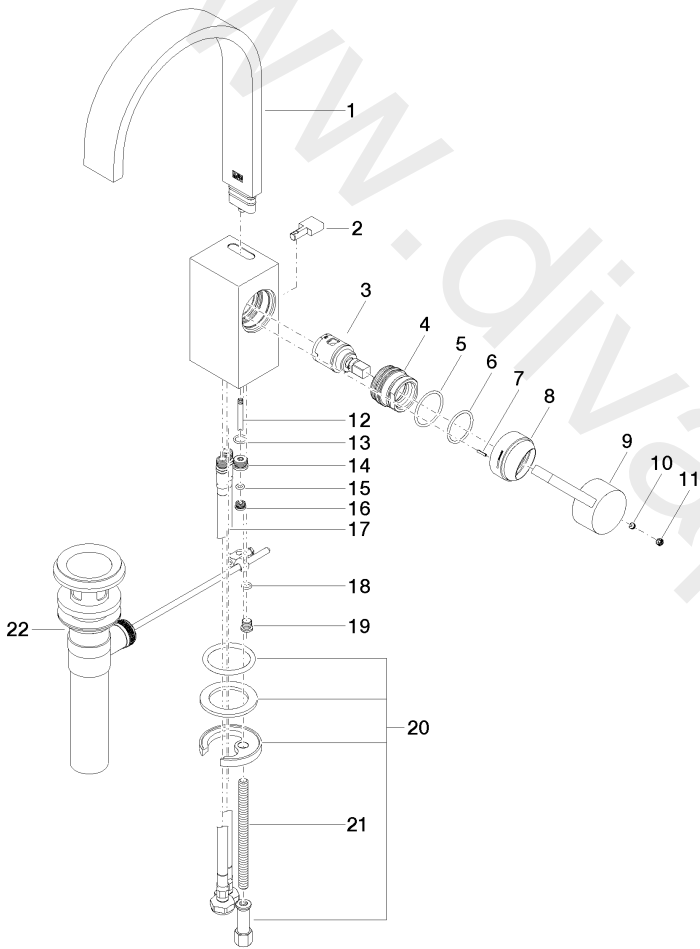


Sink - MEM

Single-lever lavatory mixer with drain - Chrome

Article number: 33 500 782-00 0010

Date of manufacture from 5/5/2021





## Sink - MEM

Single-lever lavatory mixer with drain - Chrome

Article number: 33 500 782-00 0010

Date of manufacture from 5/5/2021

## Spare parts list

Position	Number of units	Item Number	Spare part	Lead time
1	1	90 28 22 153 02-00	spout	10
2	1	09 20 78 032-00	handle	10
3	1	90 15 05 042 00 90	cartridge	2
4	1	09 24 04 288 90	nut	2
5	1	09 14 10 137 90	seal	2
6	1	09 14 10 063 90	seal	2
7	1	09 31 11 152 90	pin	2
8	1	09 28 30 028-00	cover	10
9	1	09 20 78 057-00	handle	10
10	1	09 31 11 063 90	pin	2
11	1	09 31 20 109 90	plug	2
12	1	09 31 09 080-00	pull-rod	10
13	1	09 14 10 042 90	seal	2
14	1	09 24 04 289-00	nipple	10
15	1	09 14 10 166 90	seal	2
16	1	09 24 04 290 90	nipple	2
17	2	04 30 04 106 00 90	hose	2
18	1	09 14 10 132 90	seal	2
19	1	09 31 20 027 10-00	plug	10
20	1	04 30 11 038 75 90	fixing set	2
21	1	09 31 11 012 90	pin	2
22	1	04 11 01 023 00-00	Drain US 1 1/4" - Chrome	2