

Talis M52

Single lever kitchen mixer 170, 1jet

Finish: **Chrome** Article Number: **32851000**



Description

product features

- ComfortZone 170
- swivel range 150°
- normal spray
- connection dimension: DN15
- maximum flow rate at 3 bar: 16 l/min
- ceramic cartridge
- connection type: G 3/8 connections
- temperature limitation adjustable
- suitable for continuous flow water heaters
- WRAS 1901003
- WRAS 1901003 - WRAS Approval Letter

Article Details

Price excl. VAT

308,33 £

Technology



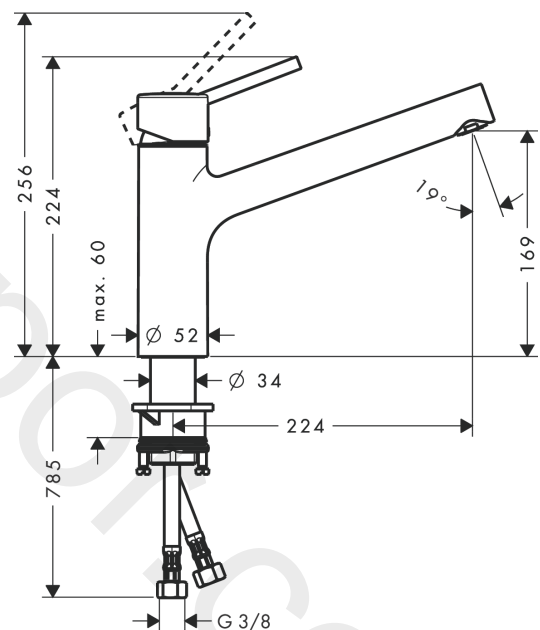
Certificates / Sustainability



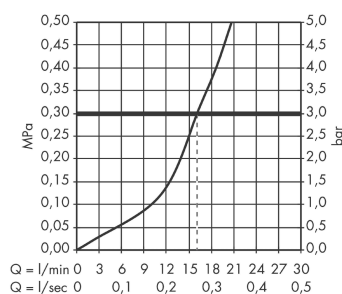
Product image



Scale drawing



Flowchart

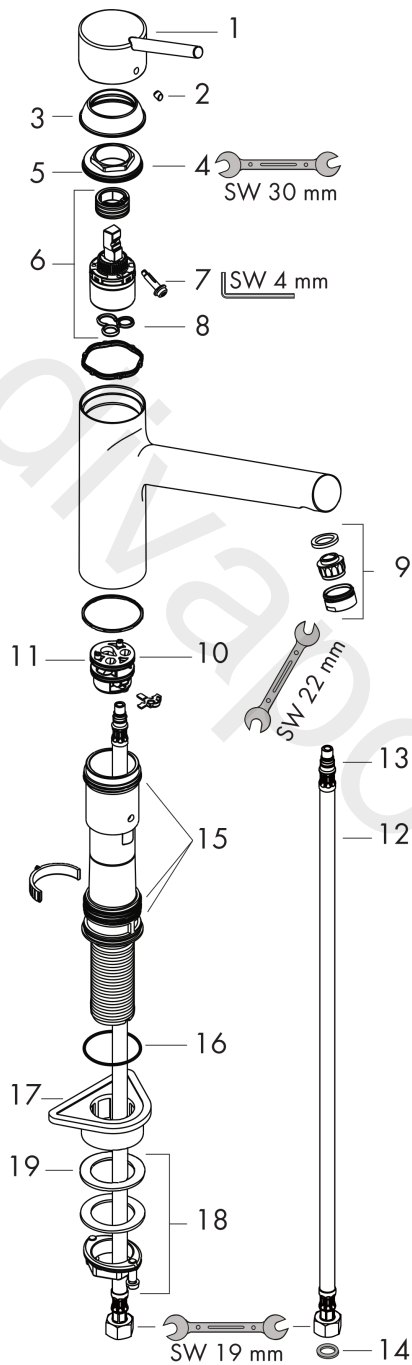


Talis M52
Single lever kitchen mixer 170, 1jet
 Finish: **Chrome** Article Number: **32851000**



Exploded Drawing

Year of production: >10/10



Talis M52

Single lever kitchen mixer 170, 1jet

Finish: **Chrome** Article Number: **32851000**



Spare part list

Year of production: >10/10

Pos.	Description	Article Number	Price	PU
1	handle	32892000	£ 51,00	1
2	screw cover	96338000	£ 3,30	1
3	flange	97995000	£ 20,50	1
4	nut	97996000	£ 35,00	1
5	O-ring 41x2	98212000	£ 3,30	1
6	cartridge, assy	92730000	£ 35,00	1
7	locking screw for handle	95140000	£ 6,10	1
8	seal	95008000	£ 9,00	1
9	aerator M24x1 (25 l/min)	95820000	£ 35,00	1
10	adapter for cartridge	98750000	£ 13,30	1
11	O-Ring 30x2	98186000	£ 3,30	1
12	connection hose 900 mm M8x0,75 G3/8	96316000	£ 43,00	1
13	O-ring 7x1,5	98422000	£ 3,30	1
14	sealing set	95581000	£ 6,10	1
15	sealing set	98702000	£ 9,00	1
16	O-Ring 36x2,5	98190000	£ 3,30	1
17	support	97523000	£ 6,10	1
18	fixing set (Ø 34)	95049000	£ 16,10	1
19	lever collar	97548000	£ 3,30	1