

**Talis S**  
**Single lever shower mixer for exposed installation**  
 Finish: **Chrome** Article Number: **32620000**



### Description

**product features**

- 1 function
- centre distance: 150 ± 12 mm
- maximum flow rate at 3 bar: 27 l/min
- flow rate of hand shower at 3 bar: 16 l/min
- ceramic cartridge
- temperature limitation adjustable
- non-return valve
- with silencer
- hose connection DN15
- connection dimension: DN15
- min. operating pressure: 1 bar
- max. operating pressure: 10 bar
- connection type: s-shaped connections
- WRAS 2307026
- WRAS 2307026 - Approval letter 2307026

### Article Details

Price excl. VAT

279,17 £

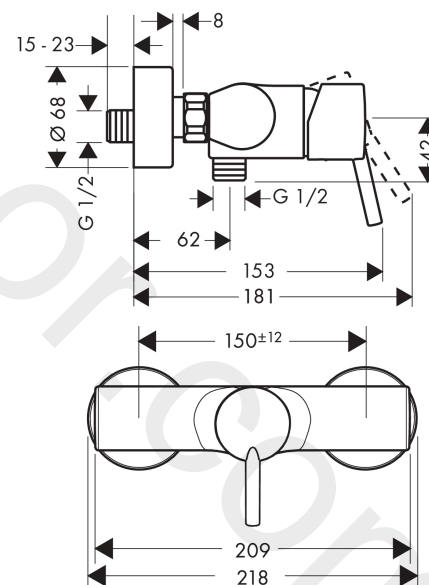
### Certificates / Sustainability



### Product image



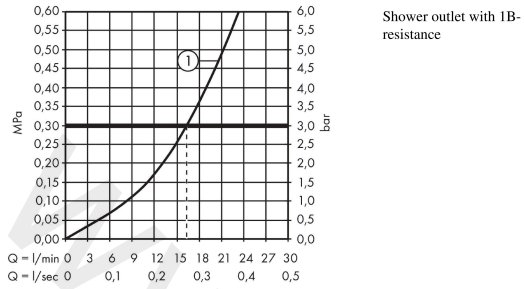
### Scale drawing



**Talis S**  
**Single lever shower mixer for exposed installation**  
 Finish: **Chrome** Article Number: **32620000**



**Flowchart**



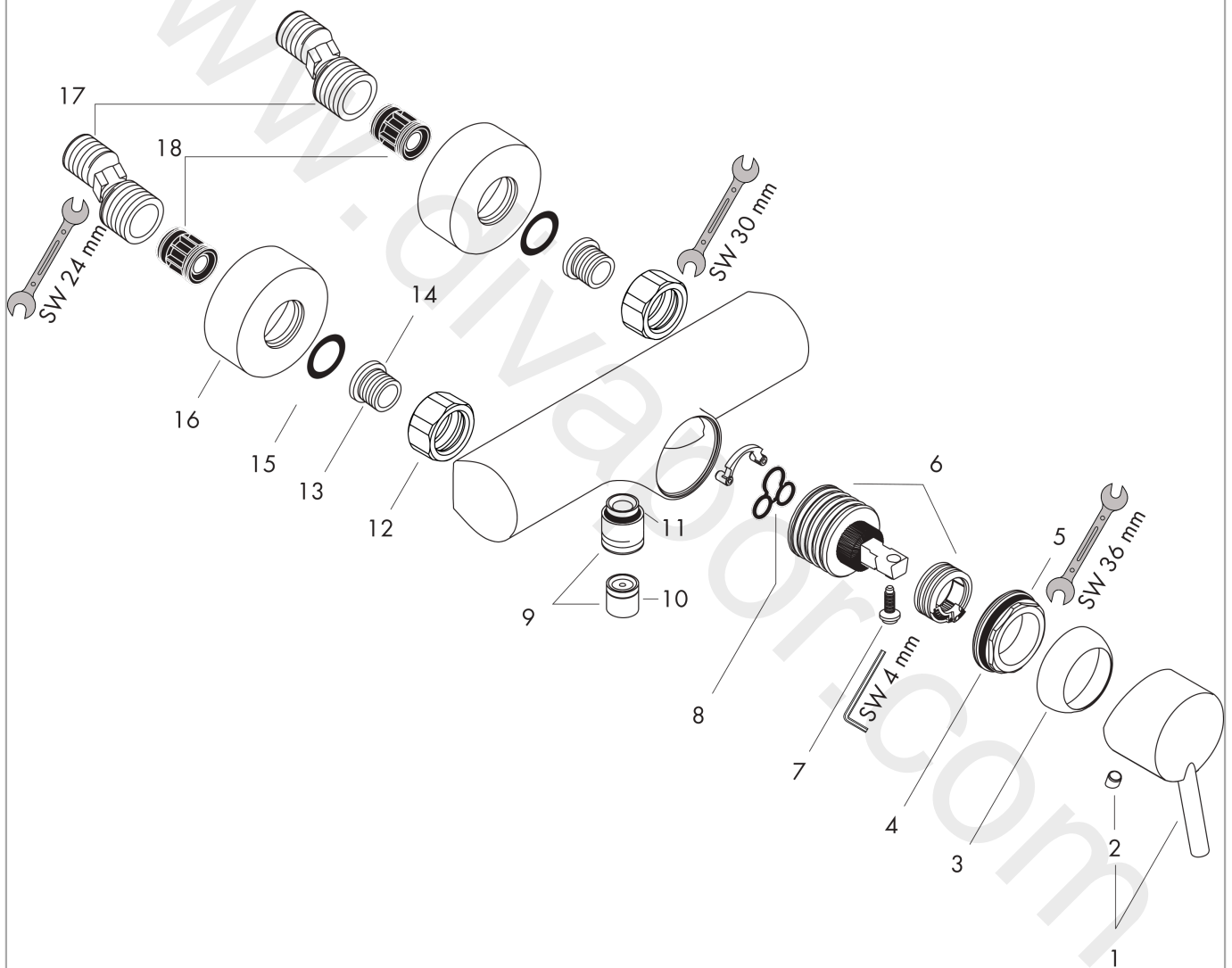
www.divapor.com

**Talis S**  
**Single lever shower mixer for exposed installation**  
 Finish: **Chrome** Article Number: **32620000**



**Exploded Drawing**

Year of production: >05/09



**Talis S**  
**Single lever shower mixer for exposed installation**  
 Finish: **Chrome** Article Number: **32620000**



## Spare part list

Year of production: >05/09

Pos.	Description	Article Number	Price	PU
1	handle	32092000	£ 64,00	1
2	screw cover	96338000	£ 3,30	1
3	flange	96656000	£ 6,10	1
4	nut	96690000	£ 13,30	1
5	O-ring 36x2	98156000	£ 3,30	1
6	cartridge, assy	92730000	£ 35,00	1
7	locking screw for handle	95140000	£ 6,10	1
8	seal	95008000	£ 9,00	1
9	Hose Connection	96044000	£ 25,00	1
10	set of non return valves DW 15	94074000	£ 16,10	1
11	O-ring 14x2	98129000	£ 3,30	1
12	set of nuts	96157000	£ 35,00	1
13	connecting thread	97220000	£ 16,10	1
14	O-ring 15x2	98163000	£ 3,30	1
15	filter packing	96922000	£ 9,00	1
16	escutcheon Ø 68 mm	96467000	£ 20,50	1
17	set of S-unions (±12 mm)	94140000	£ 51,00	1
18	noise reduction	96429000	£ 6,10	1
a	set of S-unions (±32 mm)	98592000	£ 43,00	1