

**Metropol**  
**Basin mixer 110 Select with push-open waste set**  
 Finish: **Chrome** Article Number: **32571000**



### Description

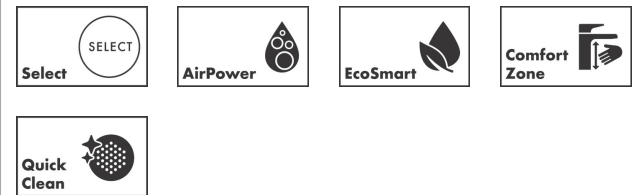
#### product features

- consists of: Basin mixer, waste set
- ComfortZone 110
- projection: 135 mm
- spout height: 117 mm
- handle variant: Select
- spray type: normal spray
- maximum flow rate at 3 bar: 5 l/min
- Select cartridge with temperature control
- temperature limitation adjustable
- suitable for continuous flow water heaters
- push-open waste set G 1¼
- material waste set: metal
- connection type: G ¾ connections
- connection dimension: DN15
- EU taxonomy: max. 6 l/min - Substantial Contribution (SC) possible
- WRAS 2305024
- WRAS 2305024 - Approval letter 2305024

### Article Details

Price excl. VAT 420,83 £

### Technology



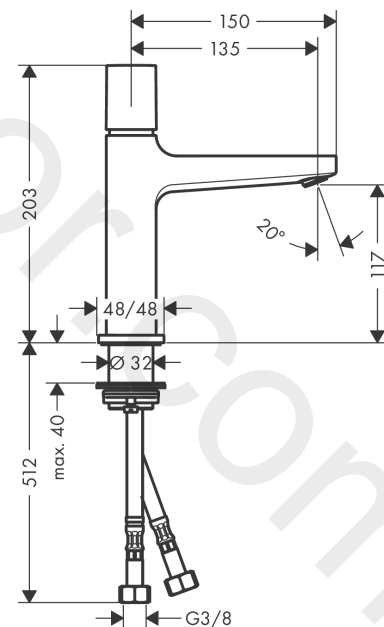
### Certificates / Sustainability



### Product image



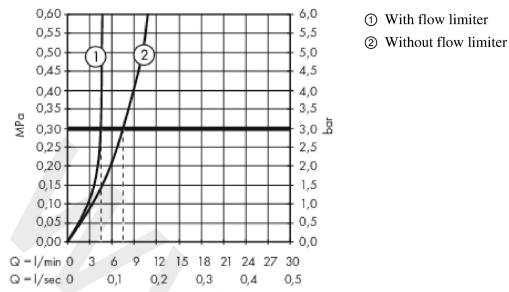
### Scale drawing



**Metropol**  
**Basin mixer 110 Select with push-open waste set**  
 Finish: **Chrome** Article Number: **32571000**



**Flowchart**

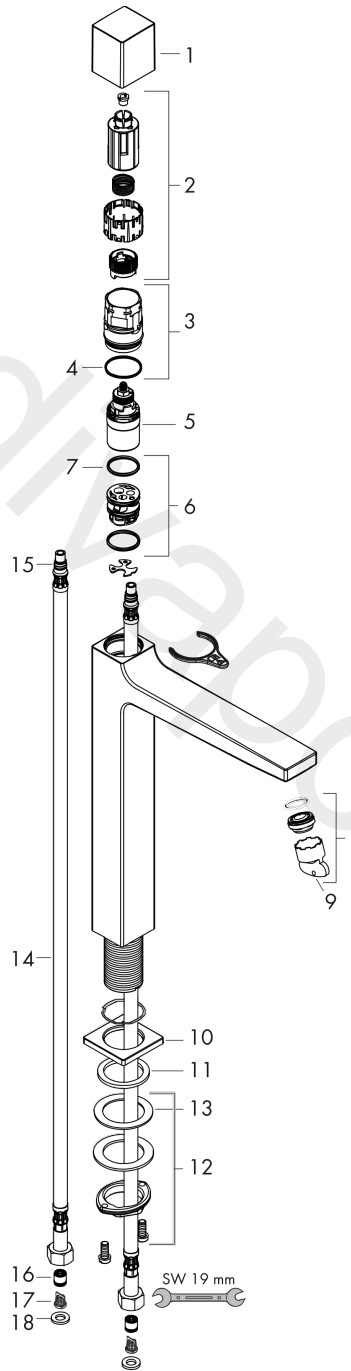


**Metropol**  
**Basin mixer 110 Select with push-open waste set**  
 Finish: **Chrome** Article Number: **32571000**



**Exploded Drawing**

Year of production: >03/18



**Metropol**  
**Basin mixer 110 Select with push-open waste set**  
 Finish: **Chrome** Article Number: **32571000**



### Spare part list

Year of production: >03/18

Pos.	Description	Article Number	Price	PU
1	handle	93070000	£ 79,00	1
2	adapter for handle	92526000	£ 25,00	1
3	nut	92528000	£ 64,00	1
4	O-ring 27x1,5	92527000	£ 13,30	1
5	cartridge, assy	92529000	£ 110,00	1
6	adapter for cartridge	98866000	£ 35,00	1
7	O-ring 23x2	98398000	£ 3,30	1
8	aerator M24x1 (5 l/min)	92996000	£ 35,00	1
9	service tool	95661000	£ 6,10	1
10	escutcheon	93048000	£ 43,00	1
11	flat seal	98749000	£ 6,10	1
12	fixing set (Ø 32)	13961000	£ 25,00	1
13	lever collar	97548000	£ 3,30	1
14	connection hose 450 mm M8x0,75 G3/8	93405000	£ 43,00	1
15	O-ring 7x1,5	98422000	£ 3,30	1
16	non return valve DW 10	96456000	£ 9,00	1
17	filter	92532000	£ 9,00	1
18	sealing set	92533000	£ 3,30	1
a	push-open waste set	50100000	£ 78,00	1
b	fixation extension 35 mm	13898000	£ 79,00	1