

## Metropol

Single lever basin mixer 260 with lever handle for wash bowls with push-open waste set 2 ticks

Finish: **Chrome** Article Number: **32537009**



### Description

#### product features

- consists of: single lever basin mixer, waste set
- ComfortZone 260
- projection: 204 mm
- spout height: 250 mm
- handle variant: lever handle
- spray type: normal spray
- maximum flow rate at 3 bar: 3,8 l/min
- ceramic cartridge
- temperature limitation adjustable
- push-open waste set G 1¼
- material waste set: metal
- connection type: G ½ connections
- connection dimension: DN15

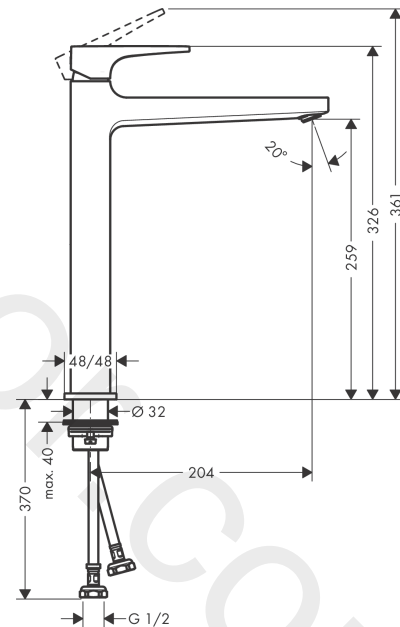
### Technology



### Product image



### Scale drawing



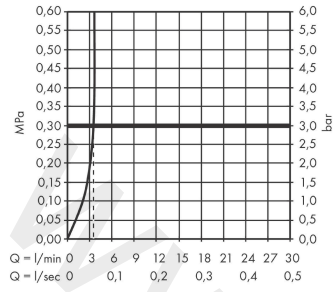
**Metropol**

**Single lever basin mixer 260 with lever handle for wash bowls with push-open waste set 2 ticks**

Finish: **Chrome** Article Number: **32537009**



**Flowchart**



**Metropol**

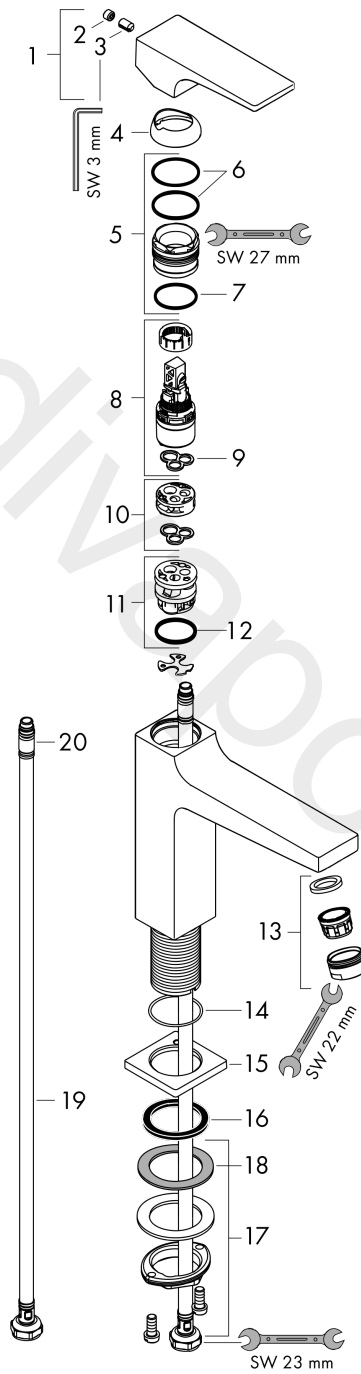
**Single lever basin mixer 260 with lever handle for wash bowls with push-open waste set 2 ticks**

Finish: **Chrome** Article Number: **32537009**



**Exploded Drawing**

Year of production: >04/20



**Metropol****Single lever basin mixer 260 with lever handle for wash bowls with push-open waste set 2 ticks**Finish: **Chrome** Article Number: **32537009****Spare part list**

Year of production: &gt;04/20

Pos.	Description	Article Number	Price	PU
1	handle	92995000	£ 79,00	1
2	screw cover	95704000	£ 3,30	1
3	hollow set screw M6x10 DIN 916	96029000	£ 3,30	1
4	flange	92625000	£ 35,00	1
5	nut	92689000	£ 25,00	1
6	O-ring 27x1,5	92527000	£ 13,30	1
7	O-ring 25x1,5	98146000	£ 3,30	1
8	cartridge, assy	95973000	£ 79,00	1
9	seal	98865000	£ 35,00	1
10	adapter for cartridge	92628000	£ 20,50	1
11	adapter for cartridge	98866000	£ 35,00	1
12	O-ring 23x2	98398000	£ 3,30	1
13	aerator M24x1	98453000	£ 20,50	1
14	O-ring 32x1,5	92936000	£ 3,30	1
15	escutcheon	93048000	£ 43,00	1
16	flat seal	98749000	£ 6,10	1
17	fixing set (Ø 32)	13961000	£ 25,00	1
18	lever collar	97548000	£ 3,30	1
19	fixation extension 35 mm	13898000	£ 79,00	1
20	connection hose 600 mm M8x0,75 G1/2	92482000	£ 43,00	1
21	O-ring 6,6x1,6	93019000	£ 3,30	1
a	push-open waste set	50100000	£ 78,00	1