

Metropol

Single lever bath mixer for exposed installation with lever handle 2 ticks

Finish: **Chrome** Article Number: **32534009**



Description

product features

- 2 functions
- projection: 180 mm
- centre distance: 150 ± 12 mm
- spray type mixer: normal spray
- maximum flow rate at 3 bar: 20,9 l/min
- flow rate for bath spout at 3 bar: 20,9 l/min
- flow rate of hand shower at 3 bar: 5,6 l/min
- ceramic cartridge
- temperature limitation adjustable
- diverter with automatic resetting
- protected against backflow, according to DIN EN 1717
- with silencer
- suitable for continuous flow water heaters
- connection dimension: DN15
- connection type: s-shaped connections
- wall-mounted
- min. operating pressure: 1 bar
- max. operating pressure: 10 bar

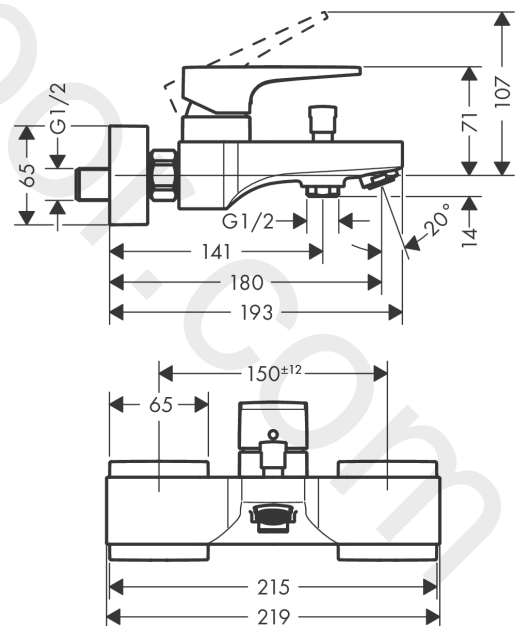
Technology



Product image



Scale drawing



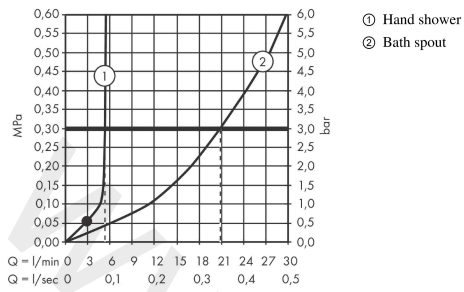
Metropol

Single lever bath mixer for exposed installation with lever handle 2 ticks

Finish: **Chrome** Article Number: **32534009**



Flowchart



Metropol

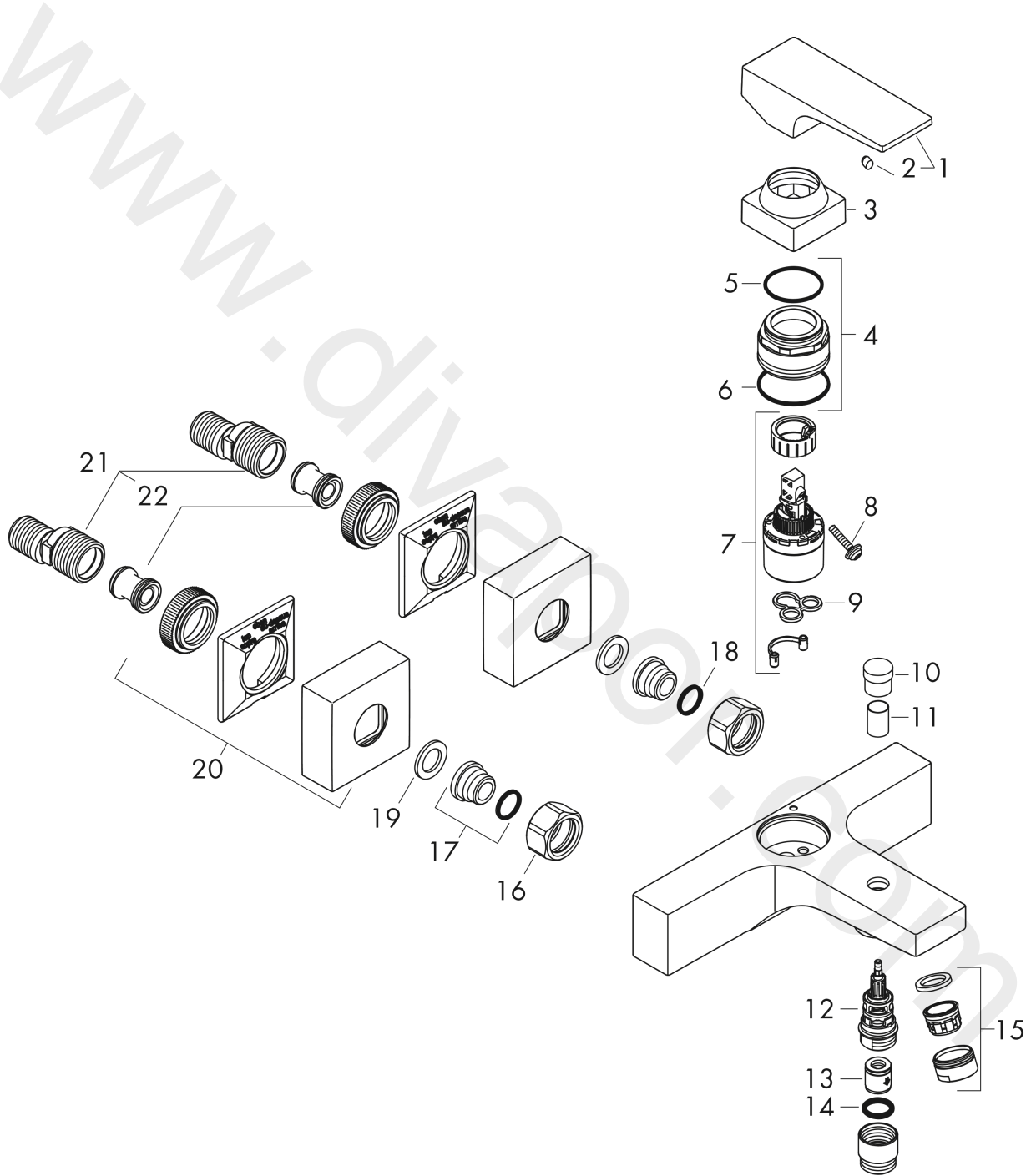
Single lever bath mixer for exposed installation with lever handle 2 ticks

Finish: **Chrome** Article Number: **32534009**



Exploded Drawing

Year of production: >04/20



Metropol**Single lever bath mixer for exposed installation with lever handle 2 ticks**Finish: **Chrome** Article Number: **32534009****Spare part list**

Year of production: >04/20

Pos.	Description	Article Number	Price	PU
1	handle	93075000	£ 64,00	1
2	screw cover	96338000	£ 3,30	1
3	flange	93078000	£ 20,50	1
4	nut	93079000	£ 64,00	1
5	O-ring 30x1,5	98433000	£ 3,30	1
6	O-ring 33x1,5	98164000	£ 3,30	1
7	cartridge, assy	95646000	£ 96,00	1
8	locking screw for handle	95140000	£ 6,10	1
9	seal	95008000	£ 9,00	1
10	diverter knob	97981000	£ 20,50	1
11	sleeve	97979000	£ 16,10	1
12	selector	97978019	-	1
13	non return valve	92839000	£ 16,10	1
14	O-Ring 14x2,5	98189000	£ 3,30	1
15	aerator M24x1 (30 l/min)	96512000	£ 16,10	1
16	set of nuts	96157000	£ 35,00	1
17	connecting thread	97220000	£ 16,10	1
18	O-ring 15x2	98163000	£ 3,30	1
19	filter packing	96922000	£ 9,00	1
20	escutcheon	93077000	£ 51,00	1
21	set of S-unions (±12 mm)	94140000	£ 51,00	1
22	noise reduction	96429000	£ 6,10	1