

Metropol

Single lever bath mixer floor-standing with lever handle

Finish: **Polished Gold Optic** Article Number: **32532997**



Description

product features

- consists of: single lever bath mixer floor standing, baton hand shower, shower hose, shower holder
- 2 functions
- projection: 235 mm
- spray type mixer: normal spray
- spray type hand shower: Rain, MonoRain
- maximum flow rate at 3 bar: 18 l/min
- ceramic cartridge
- temperature limitation adjustable
- diverter with automatic resetting
- non-return valve
- connection dimension: DN15
- connection type: basic set
- deck mounted
- min. operating pressure: 1 bar
- max. operating pressure: 10 bar

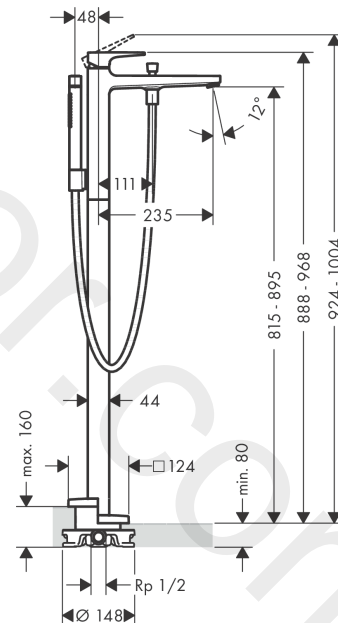
Technology



Product image



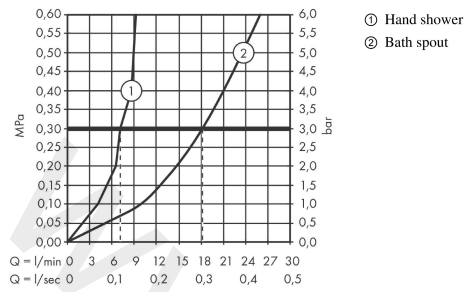
Scale drawing



Metropol
Single lever bath mixer floor-standing with lever handle
 Finish: **Polished Gold Optic** Article Number: **32532997**



Flowchart



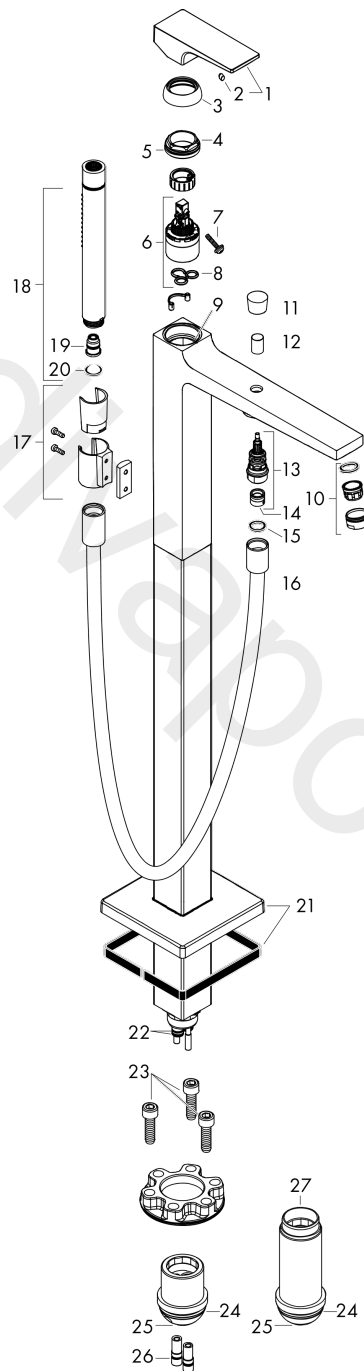
www.divapor.com

Metropol
Single lever bath mixer floor-standing with lever handle
 Finish: **Polished Gold Optic** Article Number: **32532997**



Exploded Drawing

Year of production: >03/20



Metropol**Single lever bath mixer floor-standing with lever handle**Finish: **Polished Gold Optic** Article Number: **32532997****Spare part list**

Year of production: >03/20

Pos.	Description	Article Number	Price	PU
1	handle	93075990	-	1
2	screw cover	96338000	-	1
3	flange	97406990	-	1
4	nut	97209000	-	1
5	O-Ring 32x2	98193000	-	1
6	cartridge, assy	92730000	-	1
7	locking screw for handle	95140000	-	1
8	seal	95008000	-	1
9	O-ring 35x2	92604000	-	1
10	aerator M24x1 (30 l/min)	96512990	-	1
11	diverter knob	95284990	-	1
12	sleeve	97979990	-	1
13	selector	97978000	-	1
14	non return valve	97980000	-	1
15	seal	98058000	-	1
16	shower hose 1,25 m	28282990	-	1
17	shower holder, assy	96295990	-	1
18	handshower	28532997	-	1
19	back flow preventor cartridge	93339000	-	1
20	filter packing	94246000	-	1
21	escutcheon	93245990	-	1
22	O-ring 9x1,5	98117000	-	1
23	O-ring 44x2,5	98162000	-	1
24	O-ring 29x3	98371000	-	1
25	O-ring 7x2	98419000	-	1
26	extension set 60 mm	93882000	-	1
a	-	10452187	-	1