

## Metropol

Single lever basin mixer for concealed installation wall-mounted with lever handle and spout  
22,5 cm

Finish: **Brushed Bronze** Article Number: **32526140**



### Description

#### product features

- consists of: single lever basin mixer for concealed installation wall-mounted, waste set
- projection: 225 mm
- handle variant: lever handle
- spray type: normal spray
- maximum flow rate at 3 bar: 5 l/min
- ceramic cartridge
- temperature limitation adjustable
- suitable for continuous flow water heaters
- non-closing waste set
- material waste set: metal
- connection type: basic set
- connection dimension: DN15
- handle can be positioned on the right or left, depending on the basic set installation
- EU taxonomy: max. 6 l/min - Substantial Contribution (SC) possible
- WRAS 2303060
- WRAS 2303060 - Approval letter 2303060

### Article Details

Price excl. VAT

700,00 £

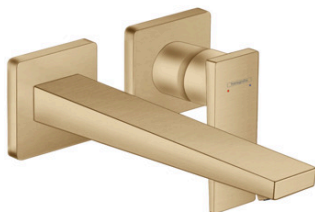
### Technology



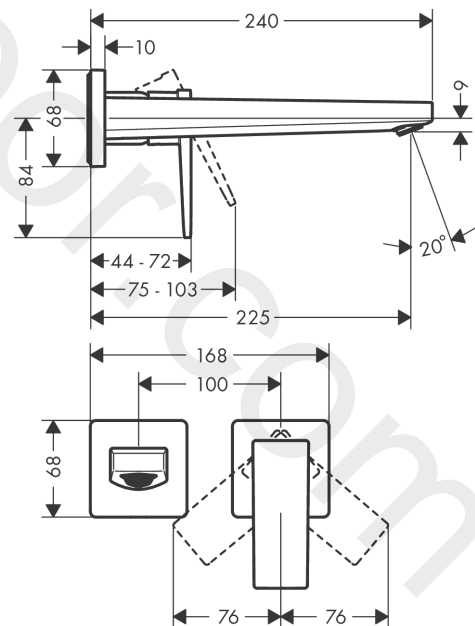
### Design awards



### Product image



### Scale drawing



**Metropol**

Single lever basin mixer for concealed installation wall-mounted with lever handle and spout  
 22,5 cm

Finish: **Brushed Bronze** Article Number: **32526140**



**Flowchart**



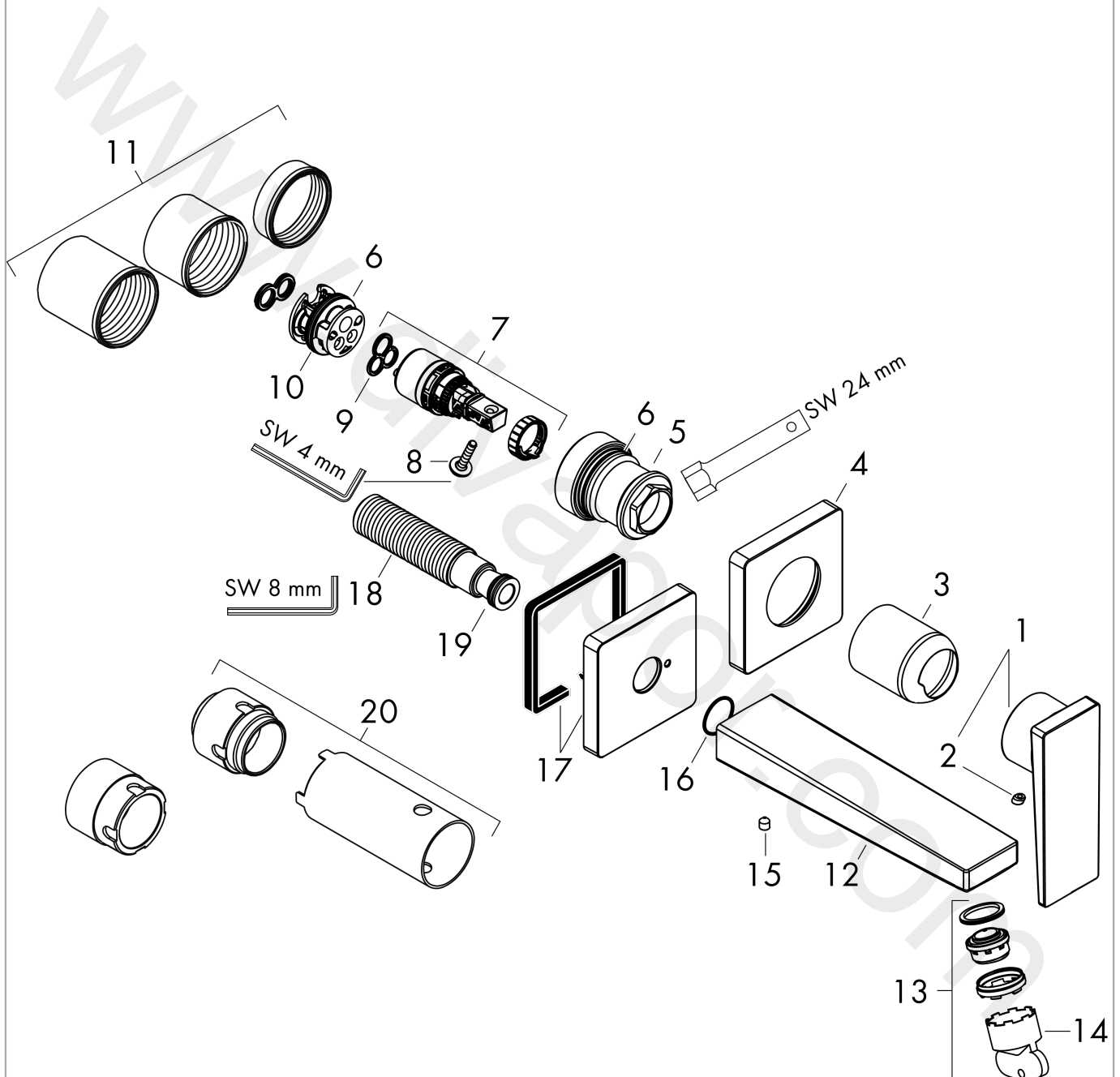
www.divapor.com

**Metropol**  
**Single lever basin mixer for concealed installation wall-mounted with lever handle and spout**  
**22,5 cm**  
 Finish: **Brushed Bronze** Article Number: **32526140**



**Exploded Drawing**

Year of production: >07/19



## Metropol

Single lever basin mixer for concealed installation wall-mounted with lever handle and spout  
22,5 cm

Finish: **Brushed Bronze** Article Number: **32526140**



### Spare part list

Year of production: >07/19

Pos.	Description	Article Number	Price	PU
1	handle	93163140	£ 64,00	1
2	screw cover	96338000	£ 3,30	1
3	sleeve	93053140	£ 64,00	1
4	escutcheon for handle	93161140	£ 96,00	1
5	nut	93141000	£ 43,00	1
6	O-ring 26x2	98147000	£ 3,30	1
7	cartridge, assy	97685000	£ 64,00	1
8	locking screw for handle	95140000	£ 6,10	1
9	seal	98865000	£ 35,00	1
10	adapter for cartridge	95634000	£ 13,30	1
11	fixing set	97971000	£ 43,00	1
12	spout 225 mm	93166140	£ 260,00	1
13	aerator M24x1 (5 l/min)	92996000	£ 35,00	1
14	service tool	95661000	£ 6,10	1
15	O-ring 18x1,5	98231000	£ 3,30	1
16	escutcheon for spout	93162140	£ 64,00	1
17	hollow set screw M5x6	94810000	£ 6,10	1
18	connecting thread G½	95626000	£ 43,00	1
19	O-ring 13x2	98128000	£ 3,30	1
20	extension set 25 mm for 13622180	31971000	£ 169,00	1
a	base body	13622180	£ 355,00	1
b	waste	50001140	£ 106,56	1
c	adapter for exchanged connections	93819000	£ 173,00	1