

## Metropol

### 3-hole basin mixer 160 with lever handles and push-open waste set

Finish: **Brushed Bronze** Article Number: **32515140**



#### Description

##### product features

- consists of: 3-hole basin mixer, waste set
- ComfortZone 160
- projection: 152 mm
- spout height: 159 mm
- handle variant: lever handle
- maximum flow rate at 3 bar: 5 l/min
- ceramic valves hot/cold 90°
- suitable for continuous flow water heaters
- push-open waste set G 1¼
- material waste set: metal
- connection type: G ¾ connections
- connection dimension: DN15
- EU taxonomy: max. 6 l/min - Substantial Contribution (SC) possible
- WRAS 1903348

#### Article Details

Price excl. VAT

768,80 £

#### Technology



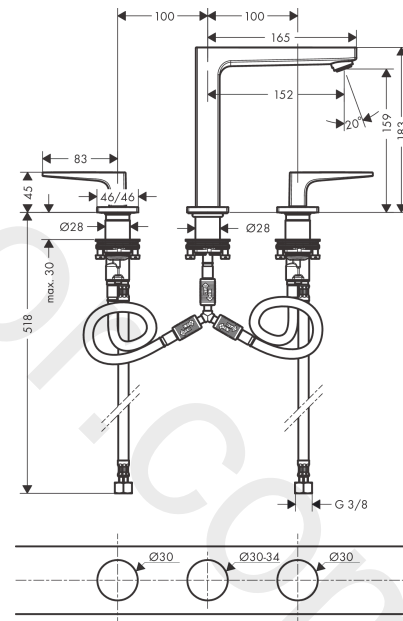
#### Design awards



#### Product image



#### Scale drawing



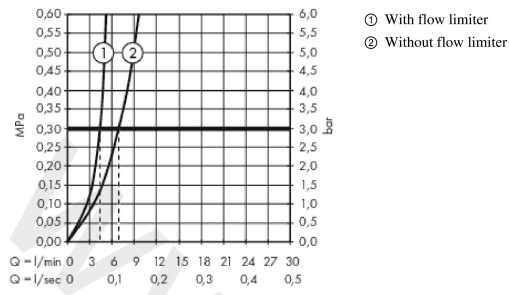
**Metropol**

**3-hole basin mixer 160 with lever handles and push-open waste set**

Finish: **Brushed Bronze** Article Number: **32515140**



**Flowchart**



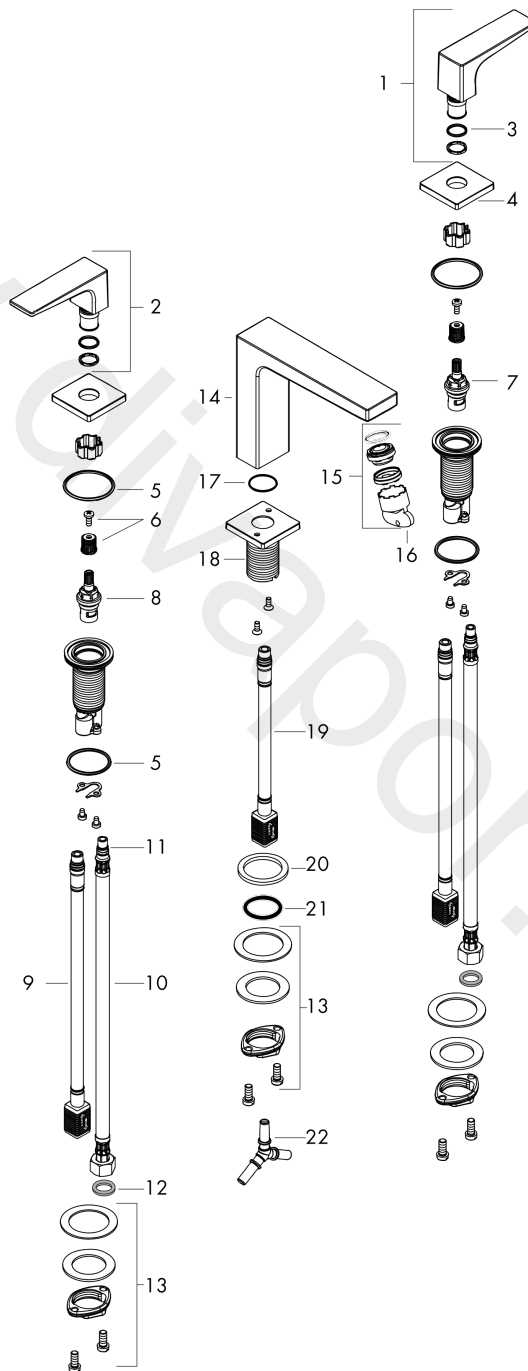
www.divapor.com

**Metropol**  
**3-hole basin mixer 160 with lever handles and push-open waste set**  
 Finish: **Brushed Bronze** Article Number: **32515140**



Exploded Drawing

Year of production: >07/19



## Metropol

3-hole basin mixer 160 with lever handles and push-open waste set

Finish: **Brushed Bronze** Article Number: **32515140**



### Spare part list

Year of production: >07/19

Pos.	Description	Article Number	Price	PU
1	handle for cold water	92917140	£ 96,00	1
2	handle for hot water	92916140	£ 96,00	1
3	O-Ring 14x1,5	98201000	£ 3,30	1
4	escutcheon	92915140	£ 76,00	1
5	O-ring 33x2,5	92907000	£ 3,30	1
6	handle fixing set	98932000	£ 16,10	1
7	shut off unit left closing	95366000	£ 43,00	1
8	shut off unit right closing	98817000	£ 35,00	1
9	connection hose 400 mm M10x1	92914000	£ 64,00	1
10	connection hose 450 mm M8x0,75 G3/8	97206000	£ 35,00	1
11	O-ring 7x1,5	98422000	£ 3,30	1
12	sealing set	95581000	£ 6,10	1
13	fixing set (Ø 28)	92909000	£ 43,00	1
14	spout 160 mm	93158140	£ 660,00	1
15	aerator M24x1 (5 l/min)	92996000	£ 35,00	1
16	service tool	95661000	£ 6,10	1
17	O-ring 21x1,5	98219000	£ 3,30	1
18	escutcheon for spout	92906140	£ 142,00	1
19	connection hose 200 mm M10x1	92913000	£ 51,00	1
20	flat seal	98749000	£ 6,10	1
21	O-ring 26x4	92191000	-	1
22	hose connection angel	92905000	£ 43,00	1
a	push-open waste set	50100140	£ 117,00	1