

Metropol

Single lever basin mixer 230 with lever handle and push-open waste set

Finish: **Polished Gold Optic** Article Number: **32511990**



Description

product features

- consists of: single lever basin mixer, waste set
- ComfortZone 230
- projection: 165 mm
- spout height: 226 mm
- handle variant: lever handle
- swivel range 120°
- spray type: normal spray
- maximum flow rate at 3 bar: 5 l/min
- ceramic cartridge
- temperature limitation adjustable
- suitable for continuous flow water heaters
- push-open waste set G 1¼
- material waste set: metal
- connection type: G ¾ connections
- connection dimension: DN15
- handle position on the side: bottom-side at the base body (not suitable for wash bowls)
- EU taxonomy: max. 6 l/min - Substantial Contribution (SC) possible
- WRAS 1903349

Article Details

Price excl. VAT

768,80 £

Technology



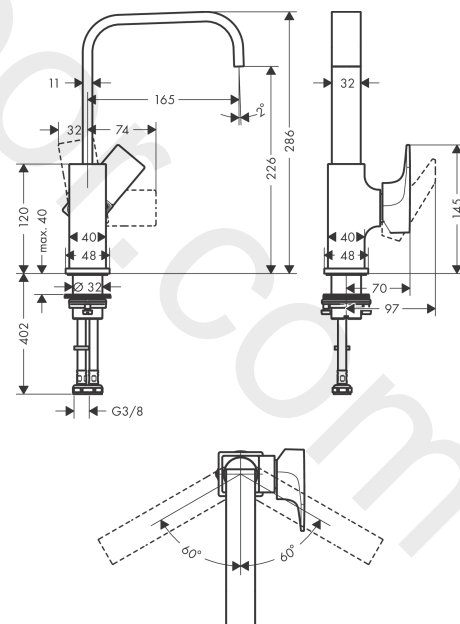
Design awards



Product image



Scale drawing



Metropol

Single lever basin mixer 230 with lever handle and push-open waste set

Finish: **Polished Gold Optic** Article Number: **32511990**



Flowchart



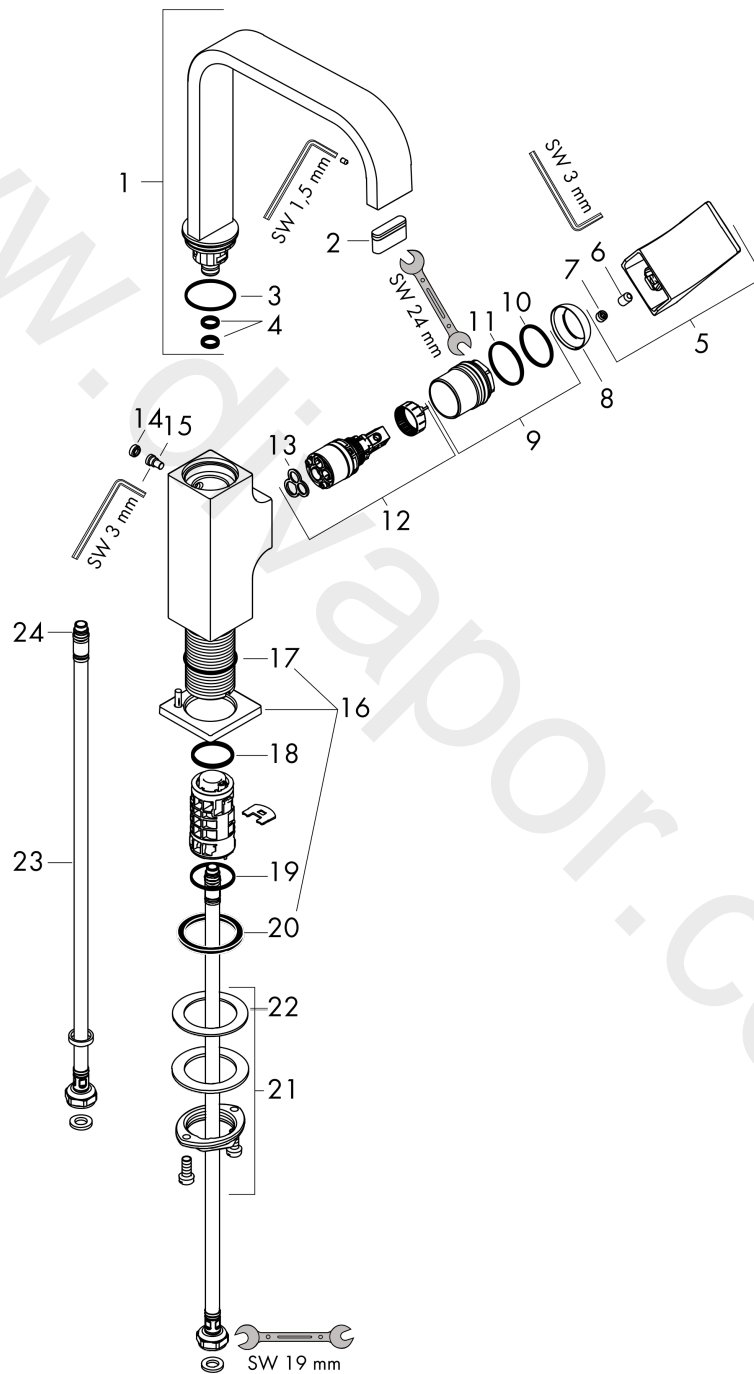
www.divapor.com

Metropol
Single lever basin mixer 230 with lever handle and push-open waste set
 Finish: Polished Gold Optic Article Number: 32511990



Exploded Drawing

Year of production: >07/19



Metropol**Single lever basin mixer 230 with lever handle and push-open waste set**Finish: **Polished Gold Optic** Article Number: **32511990****Spare part list**

Year of production: >07/19

Pos.	Description	Article Number	Price	PU
1	spout 165 mm	93084990	£ 550,00	1
2	spray former	93085000	£ 35,00	1
3	O-ring 30x1,5	98433000	£ 3,30	1
4	O-ring 8x2	98112000	£ 3,30	1
5	handle	93082990	£ 96,00	1
6	hollow set screw M6x10 DIN 916	96029000	£ 3,30	1
7	screw cover	95704000	£ 3,30	1
8	flange	95493990	£ 33,00	1
9	nut	93086000	-	1
10	O-Ring 22x2	98185000	£ 3,30	1
11	O-ring 27x1,5	92527000	£ 13,30	1
12	cartridge, assy	97685000	£ 64,00	1
13	seal	98865000	£ 35,00	1
14	plug	93087000	£ 3,30	1
15	screw	93088000	£ 43,00	1
16	escutcheon	93048990	£ 64,00	1
17	O-ring 32x1,5	92936000	£ 3,30	1
18	O-ring 24x2	98388000	£ 3,30	1
19	O-ring 26x1,5	98390000	£ 3,30	1
20	flat seal	98749000	£ 6,10	1
21	fixing set (Ø 32)	13961000	£ 25,00	1
22	lever collar	97548000	£ 3,30	1
23	connection hose 450 mm M8x0,75 G3/8	97206000	£ 35,00	1
24	O-ring 6,6x1,6	93019000	£ 3,30	1
a	push-open waste set	50100990	£ 117,00	1
b	fixation extension 35 mm	13898000	£ 79,00	1