

**Talis S**  
**Single lever bath mixer for exposed installation**  
 Finish: **Chrome** Article Number: **32420000**



### Description

**product features**

- 2 functions
- projection: 172.5 - 180 mm
- centre distance: 150 ± 12 mm
- spray type mixer: normal spray
- maximum flow rate at 3 bar: 19 l/min
- flow rate for bath spout at 3 bar: 18 l/min
- flow rate of hand shower at 3 bar: 19 l/min
- ceramic cartridge
- temperature limitation adjustable
- diverter with automatic resetting
- non-return valve
- with silencer
- suitable for continuous flow water heaters
- connection dimension: DN15
- connection type: s-shaped connections
- wall-mounted
- min. operating pressure: 1 bar
- max. operating pressure: 10 bar
- WRAS 1809003
- WRAS 1809003
- WRAS 1809003 - Approval letter

### Article Details

Price excl. VAT 358,33 £

### Technology



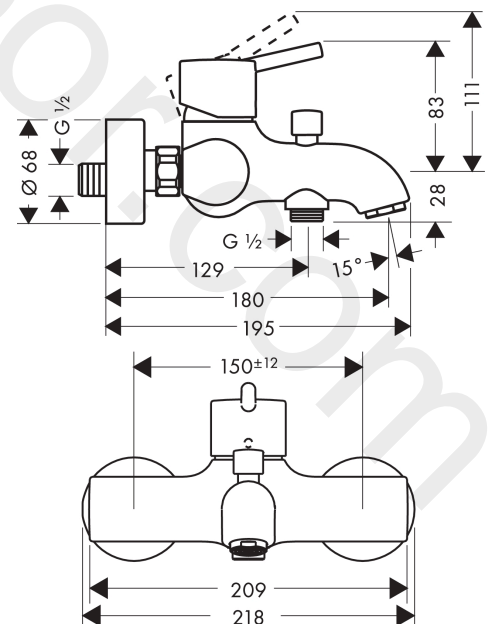
### Certificates / Sustainability



### Product image



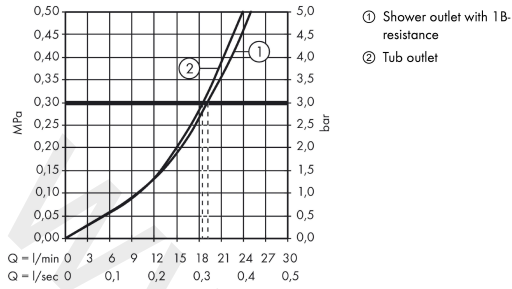
### Scale drawing



**Talis S**  
**Single lever bath mixer for exposed installation**  
 Finish: **Chrome** Article Number: **32420000**



**Flowchart**



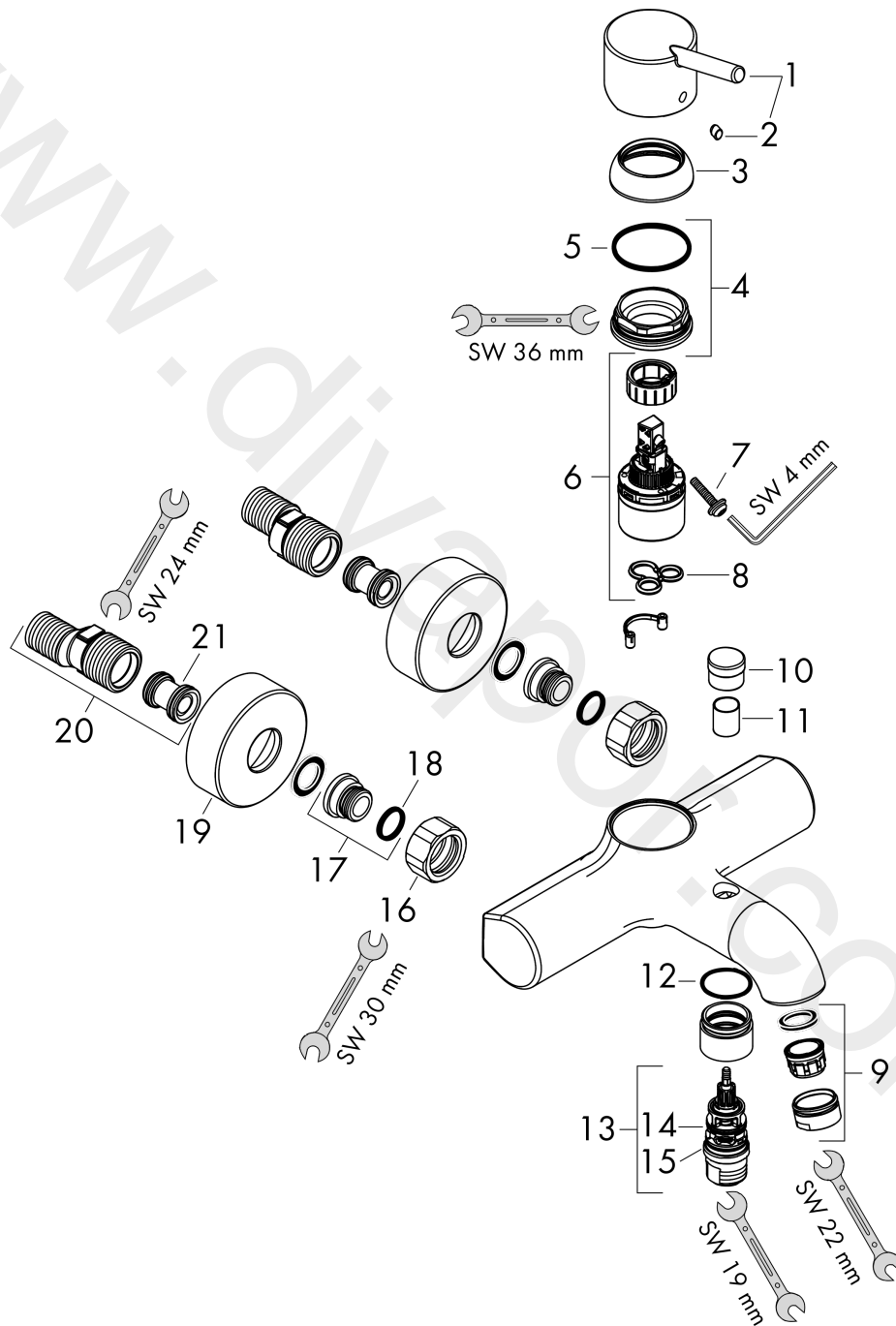
www.divapor.com

**Talis S**  
**Single lever bath mixer for exposed installation**  
 Finish: **Chrome** Article Number: **32420000**



**Exploded Drawing**

Year of production: >05/20



**Talis S**  
**Single lever bath mixer for exposed installation**  
 Finish: **Chrome** Article Number: **32420000**



## Spare part list

Year of production: >05/20

Pos.	Description	Article Number	Price	PU
1	handle	32092000	£ 64,00	1
2	screw cover	96338000	£ 3,30	1
3	flange	96656000	£ 6,10	1
4	nut	96690000	£ 13,30	1
5	O-ring 36x2	98156000	£ 3,30	1
6	cartridge, assy	92730000	£ 35,00	1
7	locking screw for handle	95140000	£ 6,10	1
8	seal	95008000	£ 9,00	1
9	aerator M24x1 (25 l/min)	13956000	£ 9,00	1
10	diverter knob	96466000	£ 16,10	1
11	sleeve	97738000	£ 6,10	1
12	O-ring 24x1,5	98434000	£ 3,30	1
13	selector assy	94077000	£ 43,00	1
14	O-ring 17x2	98199000	£ 3,30	1
15	O-ring 18x2	98181000	£ 6,10	1
16	set of nuts	96157000	£ 35,00	1
17	connecting thread	97220000	£ 16,10	1
18	O-ring 15x2	98163000	£ 3,30	1
19	escutcheon Ø 68 mm	96467000	£ 20,50	1
20	set of S-unions (±12 mm)	94140000	£ 51,00	1
21	noise reduction	96429000	£ 6,10	1
a	diverter fixing device	97211000	£ 3,30	1