

Talis

4-hole rim mounted bath mixer

Finish: **Chrome** Article Number: **32314000**



Description

product features

- consists of: 4-hole rim mounted bath mixer, hand shower, shower holder
- 2 functions
- maximum flow rate at 3 bar: 22 l/min
- non-return valve
- protected against backflow, according to DIN EN 1717
- connection dimension: DN15
- connection type: basic set
- suitable for installation on bath rim
- min. operating pressure: 1 bar
- max. operating pressure: 10 bar

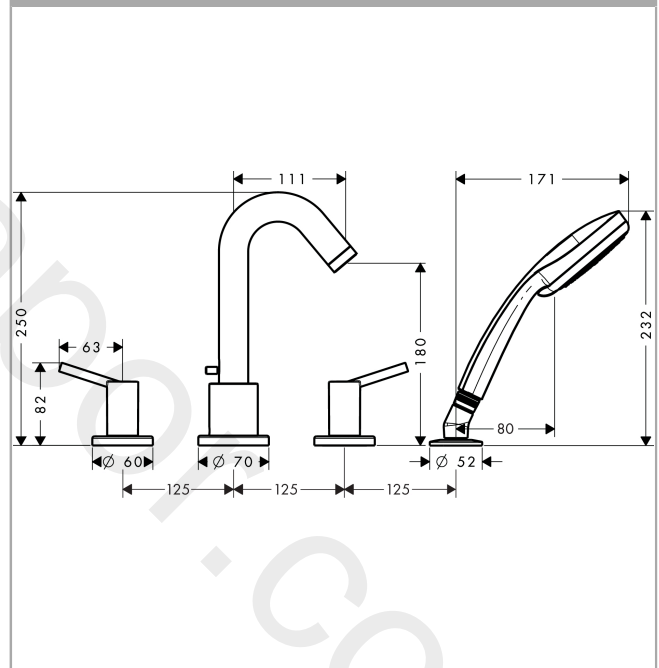
Technology



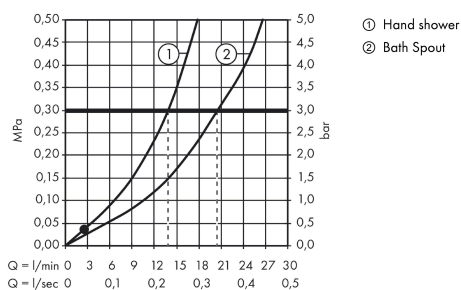
Product image



Scale drawing



Flowchart



Talis

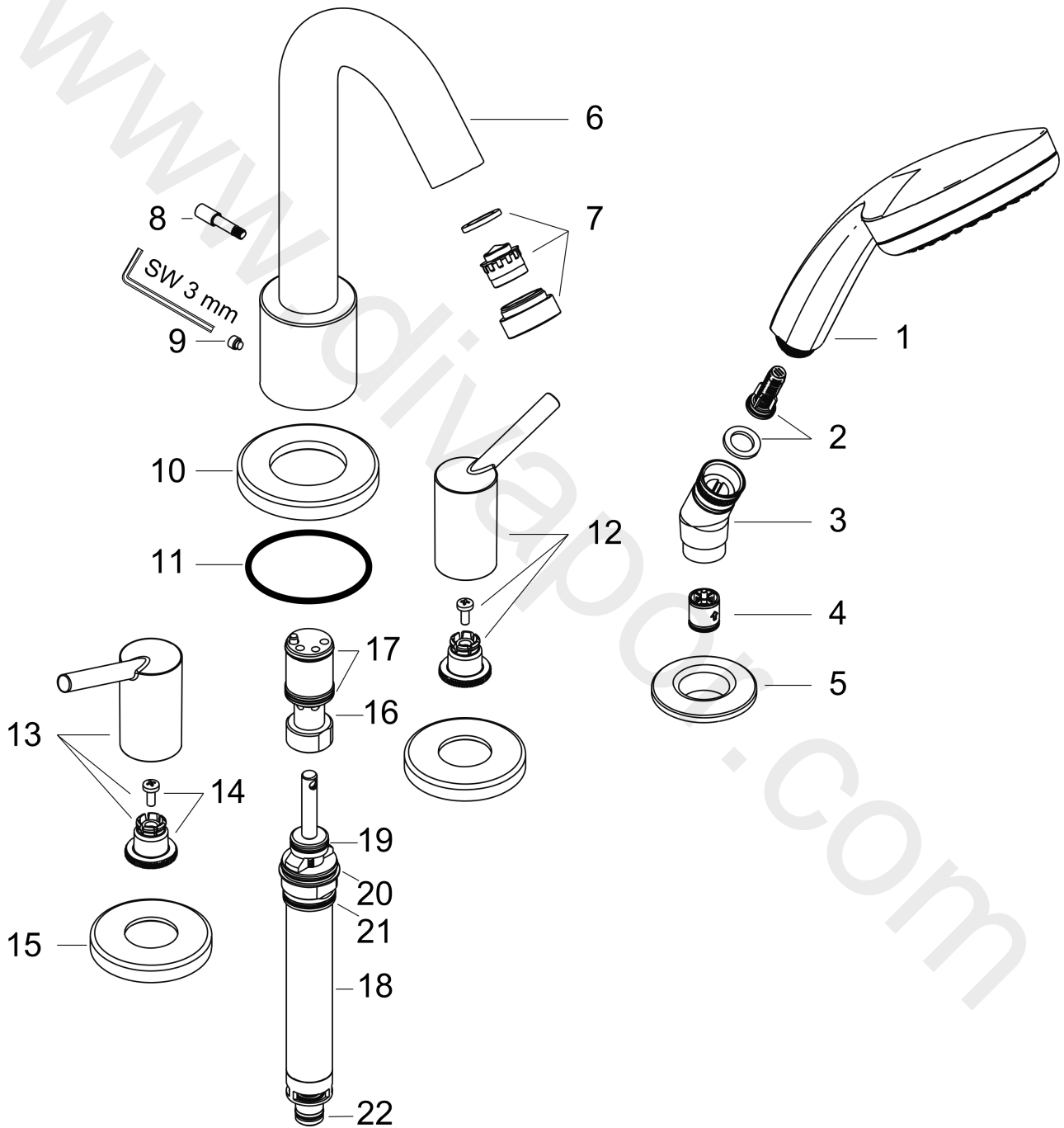
4-hole rim mounted bath mixer

Finish: **Chrome** Article Number: **32314000**



Exploded Drawing

Year of production: >06/09



Talis
4-hole rim mounted bath mixer

 Finish: **Chrome** Article Number: **32314000**

Spare part list

Year of production: >06/09

Pos.	Description	Article Number	Price	PU
1	handshower	28535000	£ 59,00	1
2	filter insert	97708000	£ 6,10	1
3	shower holder	28071000	£ 43,00	1
4	set of non return valves DW 15	94074000	£ 16,10	1
5	escutcheon Ø 52 mm	97159000	£ 51,00	1
6	spout cpl.	95464000	£ 173,00	1
7	aerator M24x1 (25 l/min)	95456000	£ 51,00	1
8	diverter knob	96774000	£ 35,00	1
9	hollow set screw M6x6	97660000	£ 3,30	1
10	escutcheon Ø 70 mm	97779000	£ 79,00	1
11	O-ring 58x3	98202000	£ 3,30	1
12	handle for cold water	95462000	£ 51,00	1
13	handle for hot water	95461000	£ 51,00	1
14	handle fixing set	94184000	£ 6,10	1
15	escutcheon	31098000	£ 43,00	1
16	guide tube	92214000	£ 51,00	1
17	O-ring 21x1,5	98219000	£ 3,30	1
18	selector assy	96775000	£ 79,00	1
19	O-Ring 14x2,5	98189000	£ 3,30	1
20	O-Ring 23x2,5	98183000	£ 3,30	1
21	O-Ring 22x2	98185000	£ 3,30	1
22	O-ring 9x2,5	98217000	£ 3,30	1
a	filter packing	94246000	£ 3,30	1
b	concealed item	13244180	£ 455,00	1
c	Grease	90920000	£ 16,10	1