

## Focus

### Single lever basin mixer for exposed installation wall-mounted

Finish: **Chrome** Article Number: **31923000**



## Description

### product features

- projection: 180 mm
- handle variant: lever handle
- centre distance: 150 ± 12 mm
- spray type: normal spray
- maximum flow rate at 3 bar: 5 l/min
- ceramic cartridge
- temperature limitation adjustable
- with noise reduction
- suitable for continuous flow water heaters
- connection type: s-shaped connections
- connection dimension: DN15
- EU taxonomy: max. 6 l/min - Substantial Contribution (SC) possible

## Article Details

Price excl. VAT

165,83 £

## Technology



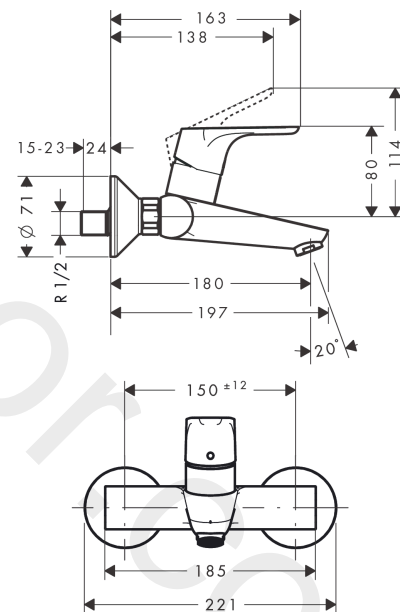
## Certificates / Sustainability



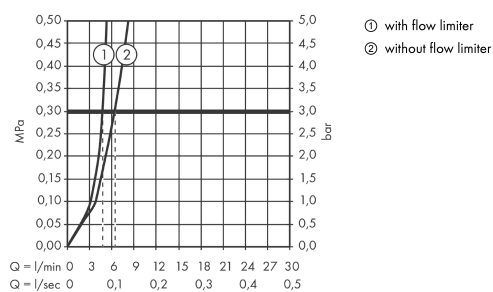
## Product image



## Scale drawing



## Flowchart



**Focus**

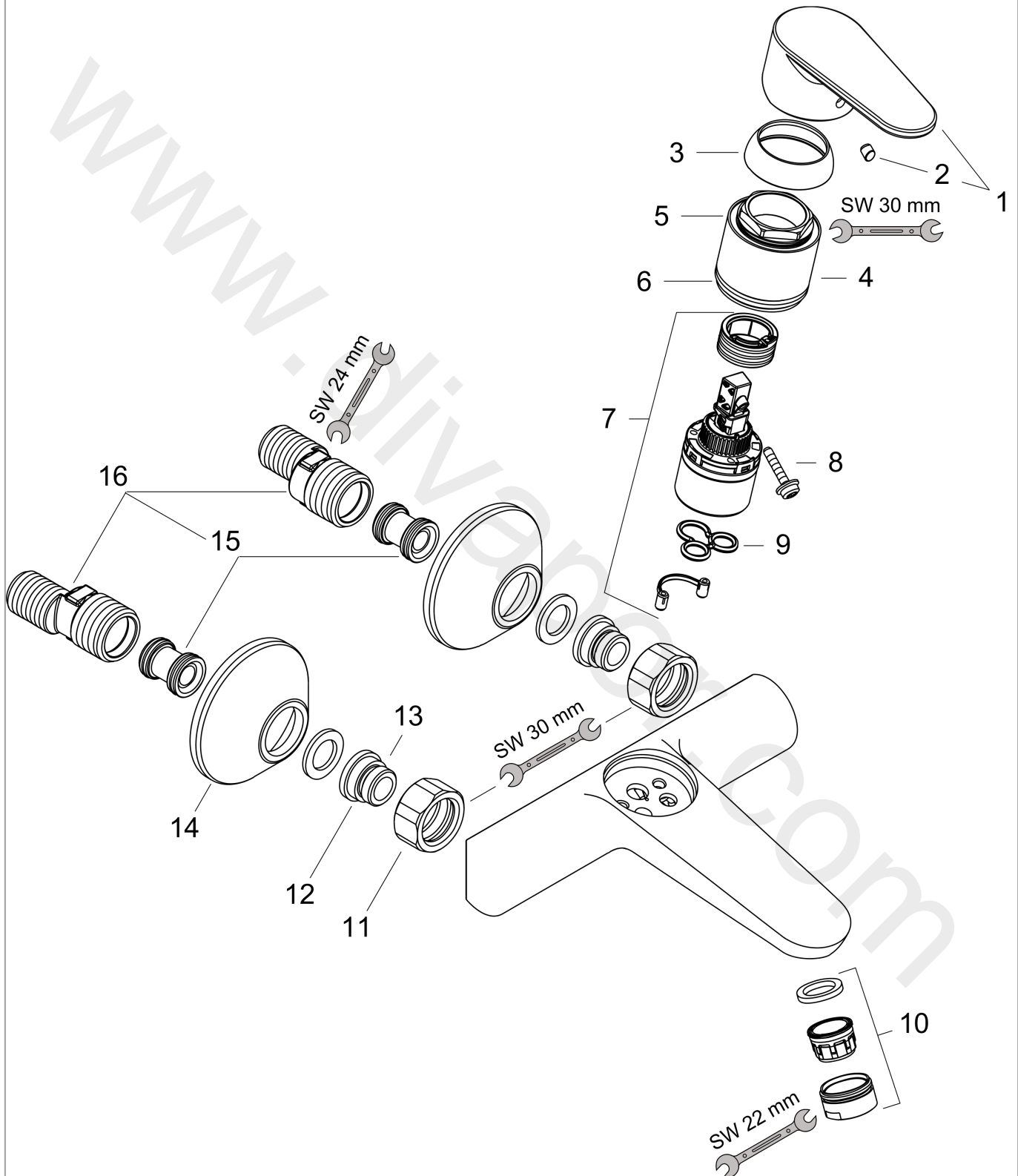
**Single lever basin mixer for exposed installation wall-mounted**

Finish: **Chrome** Article Number: **31923000**



**Exploded Drawing**

Year of production: >01/15



**Focus**

**Single lever basin mixer for exposed installation wall-mounted**

Finish: **Chrome** Article Number: **31923000**



**Spare part list**

Year of production: >01/15

Pos.	Description	Article Number	Price	PU
1	handle	98532000	£ 35,00	1
2	screw cover	96338000	£ 3,30	1
3	flange	97406000	£ 20,50	1
4	nut	97977000	£ 43,00	1
5	O-Ring 32x2	98193000	£ 3,30	1
6	O-ring 33x1,5	98164000	£ 3,30	1
7	cartridge, assy	95646000	£ 96,00	1
8	locking screw for handle	95140000	£ 6,10	1
9	seal	95008000	£ 9,00	1
10	aerator M24x1 (5 l/min)	13185000	£ 22,30	1
11	set of nuts	96157000	£ 35,00	1
12	connecting thread	97220000	£ 16,10	1
13	O-ring 15x2	98163000	£ 3,30	1
14	escutcheon Ø 70 mm	94135000	£ 13,30	1
15	noise reduction	96429000	£ 6,10	1
16	set of S-unions (±12 mm)	94140000	£ 51,00	1