

## Focus

### Single lever basin mixer 100 with extra long handle without waste set

Finish: **Chrome** Article Number: **31915000**



#### Description

##### product features

- ComfortZone 100
- projection: 119 mm
- spout height: 94 mm
- larger print for greater clarity
- with extra long barrier-free handle
- spray type: laminar spray
- maximum flow rate at 3 bar: 5 l/min
- ceramic cartridge
- temperature limitation adjustable
- suitable for continuous flow water heaters
- connection type: G 3/8 connections
- connection dimension: DN15
- EU taxonomy: max. 6 l/min - Substantial Contribution (SC) possible

#### Article Details

Price excl. VAT

192,50 £

#### Technology



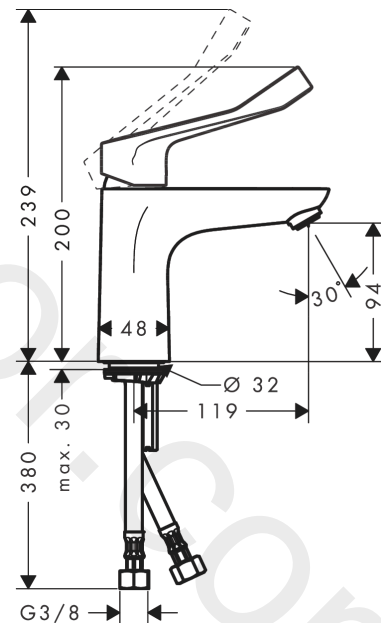
#### Certificates / Sustainability



#### Product image



#### Scale drawing



**Focus**

**Single lever basin mixer 100 with extra long handle without waste set**

Finish: **Chrome** Article Number: **31915000**



**Flowchart**



**Focus**

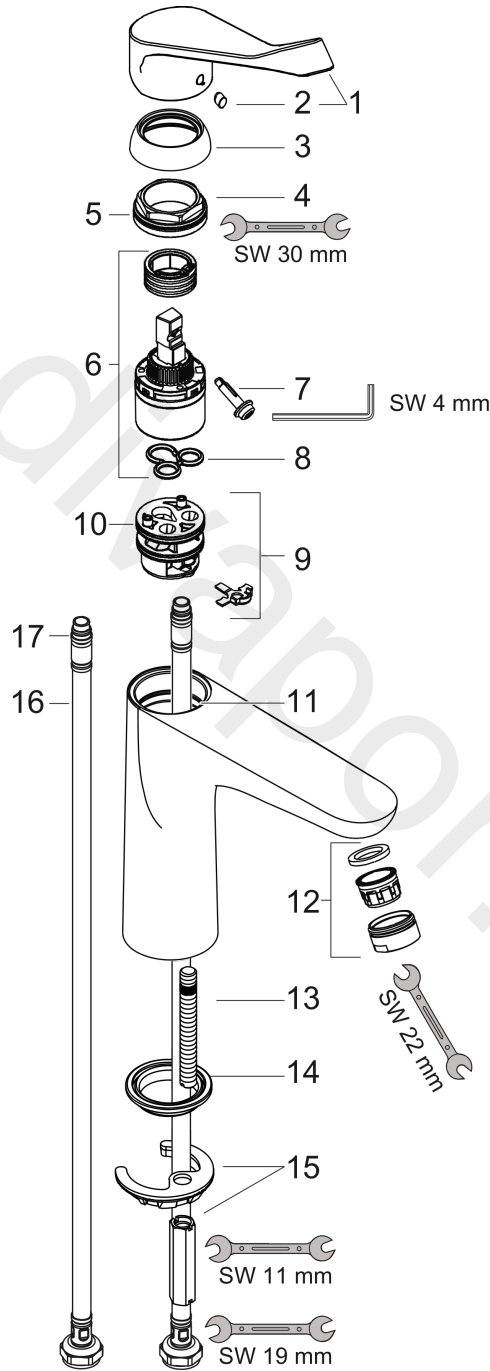
**Single lever basin mixer 100 with extra long handle without waste set**

Finish: **Chrome** Article Number: **31915000**



**Exploded Drawing**

Year of production: >04/17



## Focus

Single lever basin mixer 100 with extra long handle without waste set

Finish: **Chrome** Article Number: **31915000**



### Spare part list

Year of production: >04/17

Pos.	Description	Article Number	Price	PU
1	handle	92119000	£ 64,00	1
2	screw cover	96338000	£ 3,30	1
3	flange	97406000	£ 20,50	1
4	nut	97209000	£ 16,10	1
5	O-Ring 32x2	98193000	£ 3,30	1
6	cartridge, assy	92730000	£ 35,00	1
7	locking screw for handle	95140000	£ 6,10	1
8	seal	95008000	£ 9,00	1
9	adapter for cartridge	98750000	£ 13,30	1
10	O-Ring 30x2	98186000	£ 3,30	1
11	O-ring 35x2	92604000	£ 6,10	1
12	aerator laminar M24x1 (5 l/min)	95987000	£ 20,50	1
13	screw M8 x 68	97736000	£ 6,10	1
14	seal Ø 42	98722000	£ 6,10	1
15	fixing set	96016000	£ 35,00	1
16	connection hose 450 mm M8x0,75 G3/8	97206000	£ 35,00	1
17	O-ring 6,6x1,6	93019000	£ 3,30	1