

## Focus

**Single lever basin mixer for exposed installation with extra long handle 12,1 cm**

Finish: **Chrome** Article Number: **31913000**



### Description

#### product features

- projection: 180 mm
- larger print for greater clarity
- with extra long barrier-free handle
- centre distance:  $150 \pm 12$  mm
- spray type: laminar spray
- maximum flow rate at 3 bar: 5 l/min
- ceramic cartridge
- temperature limitation adjustable
- with noise reduction
- suitable for continuous flow water heaters
- connection type: s-shaped connections
- connection dimension: DN15
- EU taxonomy: max. 6 l/min - Substantial Contribution (SC) possible

### Article Details

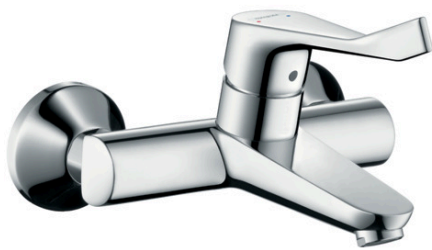
Price excl. VAT

192,50 £

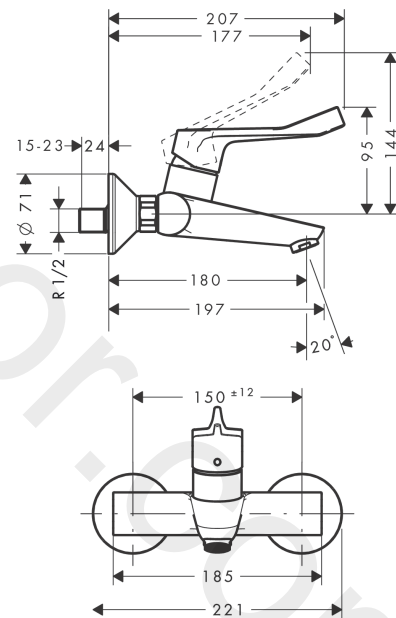
### Technology



### Product image



### Scale drawing



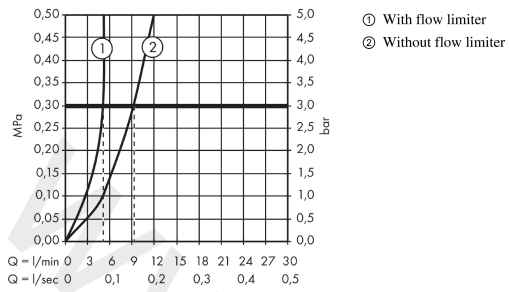
**Focus**

**Single lever basin mixer for exposed installation with extra long handle 12,1 cm**

Finish: **Chrome** Article Number: **31913000**



**Flowchart**



**Focus**

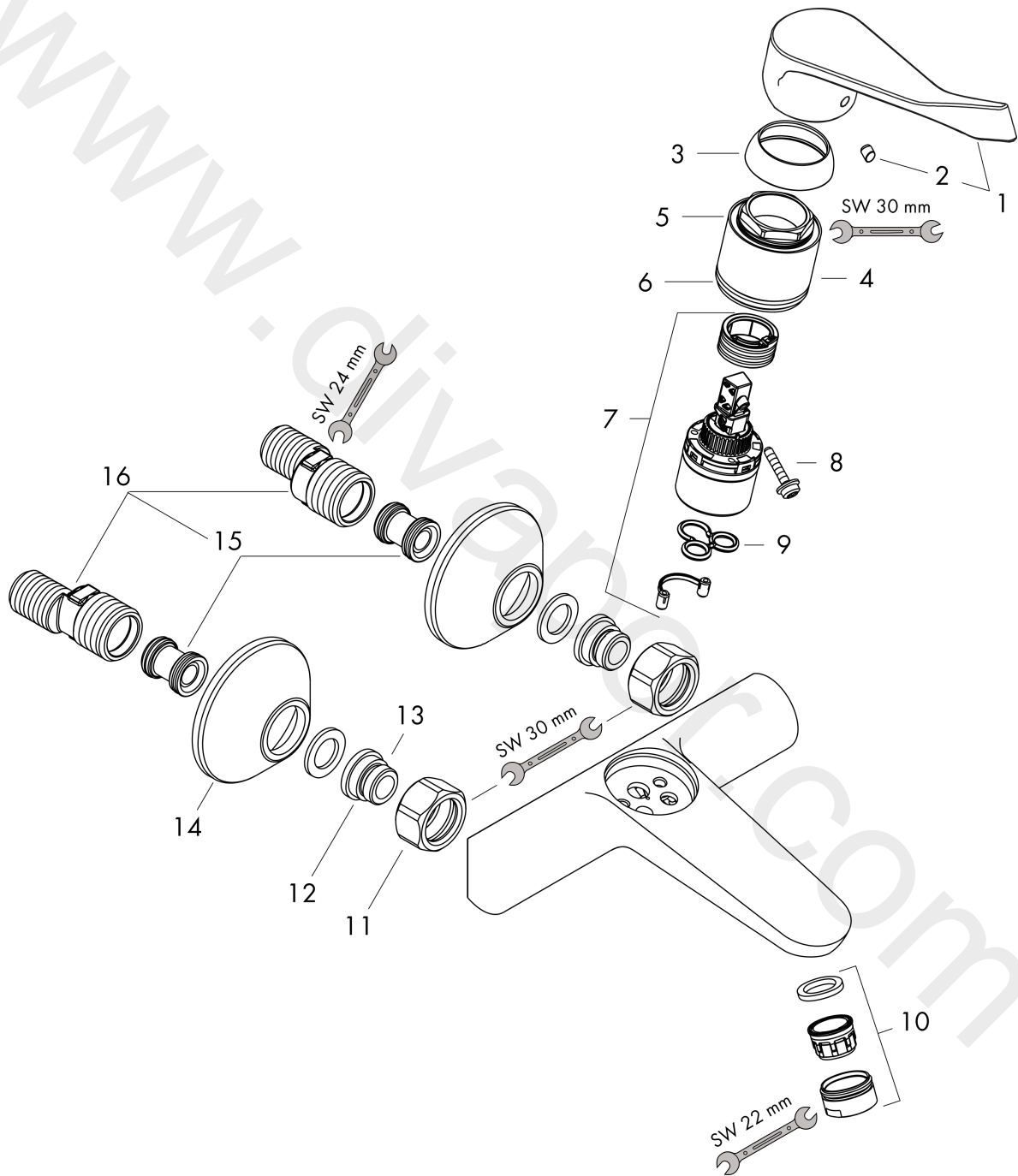
**Single lever basin mixer for exposed installation with extra long handle 12,1 cm**

Finish: **Chrome** Article Number: **31913000**



**Exploded Drawing**

Year of production: >10/13



**Focus****Single lever basin mixer for exposed installation with extra long handle 12,1 cm**Finish: **Chrome** Article Number: **31913000****Spare part list**

Year of production: &gt;10/13

Pos.	Description	Article Number	Price	PU
1	handle	92119000	£ 64,00	1
2	screw cover	96338000	£ 3,30	1
3	flange	97406000	£ 20,50	1
4	nut	97977000	£ 43,00	1
5	O-Ring 32x2	98193000	£ 3,30	1
6	O-ring 33x1,5	98164000	£ 3,30	1
7	cartridge, assy	92730000	£ 35,00	1
8	locking screw for handle	95140000	£ 6,10	1
9	seal	95008000	£ 9,00	1
10	aerator laminar M24x1 (5 l/min)	95987000	£ 20,50	1
11	set of nuts	96157000	£ 35,00	1
12	connecting thread	97220000	£ 16,10	1
13	O-ring 15x2	98163000	£ 3,30	1
14	escutcheon Ø 70 mm	94135000	£ 13,30	1
15	noise reduction	96429000	£ 6,10	1
16	set of S-unions (±12 mm)	94140000	£ 51,00	1
a	set of S-unions (±32 mm)	98592000	£ 43,00	1