

Focus M41

Single lever kitchen mixer 160, EcoSmart, 1jet

Finish: **Chrome** Article Number: **31826000**



Description

product features

- ComfortZone 160
- swivel range 360°
- normal spray
- connection dimension: DN15
- maximum flow rate at 3 bar: 5 l/min
- ceramic cartridge
- connection type: G 3/8 connections
- temperature limitation adjustable
- suitable for continuous flow water heaters
- EU taxonomy: max. 6 l/min - Substantial Contribution (SC) possible

Article Details

Price excl. VAT

160,83 £

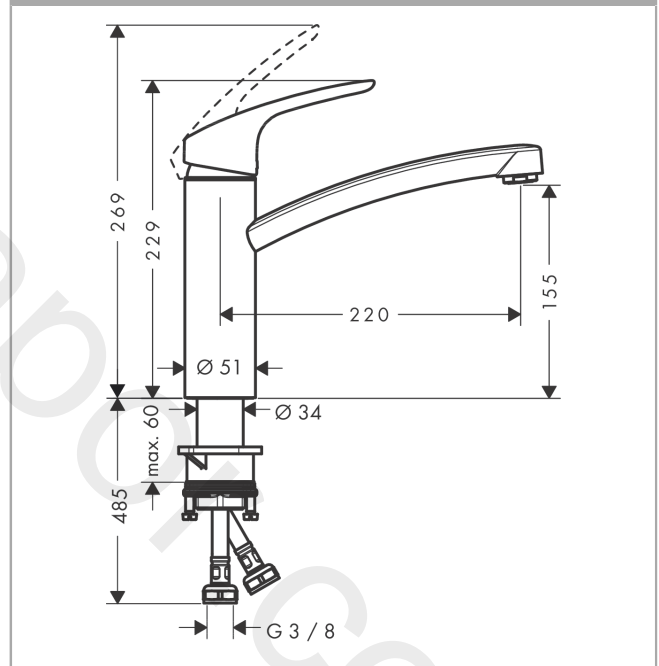
Technology



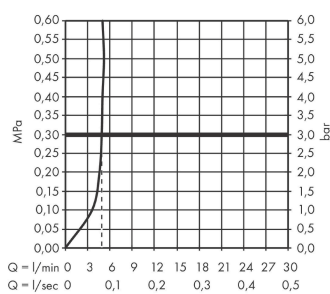
Product image



Scale drawing



Flowchart

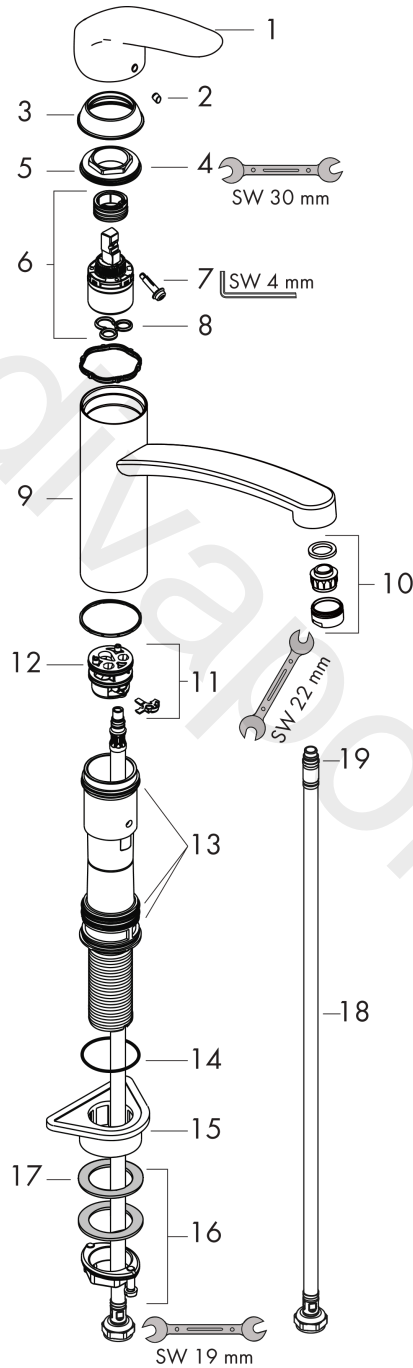


Focus M41
Single lever kitchen mixer 160, EcoSmart, 1jet
 Finish: **Chrome** Article Number: **31826000**



Exploded Drawing

Year of production: >10/18



Focus M41

Single lever kitchen mixer 160, EcoSmart, 1jet

Finish: **Chrome** Article Number: **31826000**



Spare part list

Year of production: >10/18

Pos.	Description	Article Number	Price	PU
1	handle	95543000	£ 35,00	1
2	screw cover	96338000	£ 3,30	1
3	flange	97995000	£ 20,50	1
4	nut	97996000	£ 35,00	1
5	O-Ring 30x2	98186000	£ 3,30	1
6	cartridge, assy	95646000	£ 96,00	1
7	locking screw for handle	95140000	£ 6,10	1
8	seal	95008000	£ 9,00	1
9	spout cpl.	98349000	£ 110,00	1
10	aerator M24x1 (5 l/min)	13185000	£ 22,30	1
11	adapter for cartridge	98750000	£ 13,30	1
12	O-Ring 36x2,5	98190000	£ 3,30	1
13	sealing set	98702000	£ 9,00	1
14	O-ring 41x2	98212000	£ 3,30	1
15	support	97523000	£ 6,10	1
16	fixing set (Ø 34)	95049000	£ 16,10	1
17	lever collar	97548000	£ 3,30	1
18	connection hose 600 mm M8x0,75 G3/8	96556000	£ 25,00	1
19	O-ring 6,6x1,6	93019000	£ 3,30	1