

## Focus M41

Single lever kitchen mixer 260, EcoSmart, 1jet

Finish: **Chrome** Article Number: **31821000**



### Description

#### product features

- ComfortZone 260
- swivel range adjustable in 3 steps 110°, 150° or 360°
- normal spray
- connection dimension: DN15
- maximum flow rate at 3 bar: 4,6 l/min
- ceramic cartridge
- connection type: G 3/8 connections
- temperature limitation adjustable
- suitable for continuous flow water heaters
- EU taxonomy: max. 6 l/min - Substantial Contribution (SC) possible

### Article Details

Price excl. VAT

279,17 £

### Technology



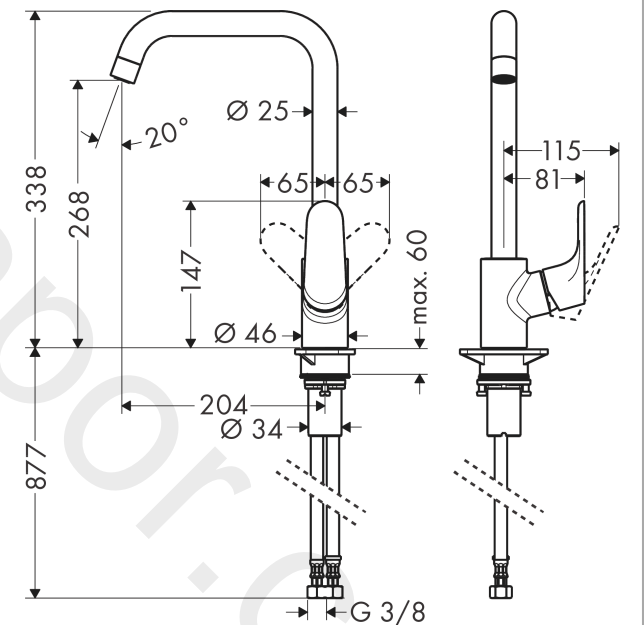
### Certificates / Sustainability



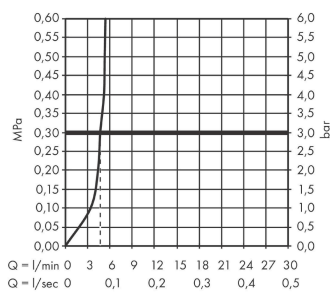
### Product image



### Scale drawing



### Flowchart

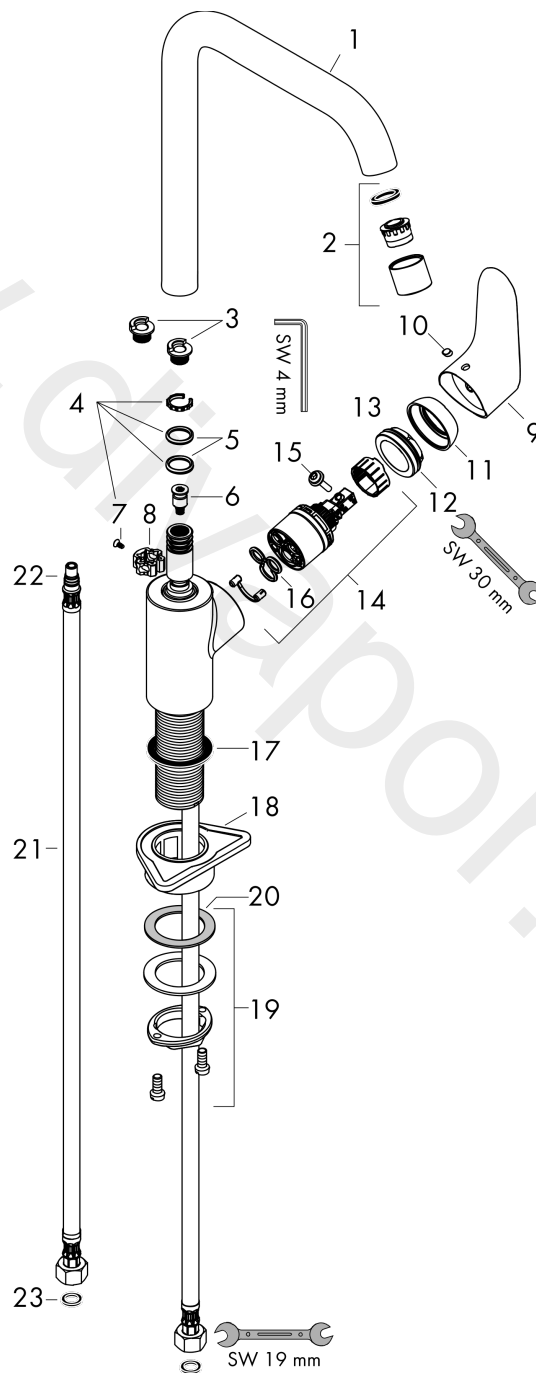


**Focus M41**  
**Single lever kitchen mixer 260, EcoSmart, 1jet**  
 Finish: **Chrome** Article Number: **31821000**



**Exploded Drawing**

Year of production: >10/19



**Focus M41****Single lever kitchen mixer 260, EcoSmart, 1jet**Finish: **Chrome** Article Number: **31821000****Spare part list**

Year of production: &gt;10/19

Pos.	Description	Article Number	Price	PU
1	spout cpl.	95822000	£ 173,00	1
2	aerator laminar M22x1 (15 l/min)	95967000	£ 43,00	1
3	set of locating rings (110° / 150°)	98486000	£ 16,10	1
4	sealing set	92646000	£ 20,50	1
5	O-Ring 14x2,5	98189000	£ 3,30	1
6	service unit	93507000	£ 43,00	1
7	screw	97662000	£ 9,00	1
8	axialring	97558000	£ 3,30	1
9	handle	98532000	£ 35,00	1
10	screw cover	96338000	£ 3,30	1
11	flange	95498000	£ 9,00	1
12	nut	97209000	£ 16,10	1
13	O-Ring 32x2	98193000	£ 3,30	1
14	cartridge, assy	95646001	£ 96,00	1
15	locking screw for handle	95140000	£ 6,10	1
16	seal	95008000	£ 9,00	1
17	flat seal	98749000	£ 6,10	1
18	support	97523000	£ 6,10	1
19	fixing set (Ø 34)	95049000	£ 16,10	1
20	lever collar	97548000	£ 3,30	1
21	connection hose 900 mm M8x0,75 G3/8	98758000	£ 35,00	1
22	O-ring 7x1,5	98422000	£ 3,30	1
23	sealing set	95581000	£ 6,10	1
a	Grease	90920000	£ 16,10	1