

## Focus

### Single lever basin mixer 70 with chain

Finish: **Chrome** Article Number: **31732000**



#### Description

##### product features

- consists of: single lever basin mixer, waste set
- ComfortZone 70
- projection: 101 mm
- spout height: 53 mm
- handle variant: lever handle
- spray type: normal spray
- maximum flow rate at 3 bar: 5 l/min
- ceramic cartridge
- temperature limitation adjustable
- suitable for continuous flow water heaters
- waste set with chain
- connection type: G 3/8 connections
- connection dimension: DN15
- EU taxonomy: max. 6 l/min - Substantial Contribution (SC) possible
- WRAS\_2201035
- WRAS\_2201035 - Approval letter 2201035

#### Article Details

Price excl. VAT

120,00 £

#### Technology



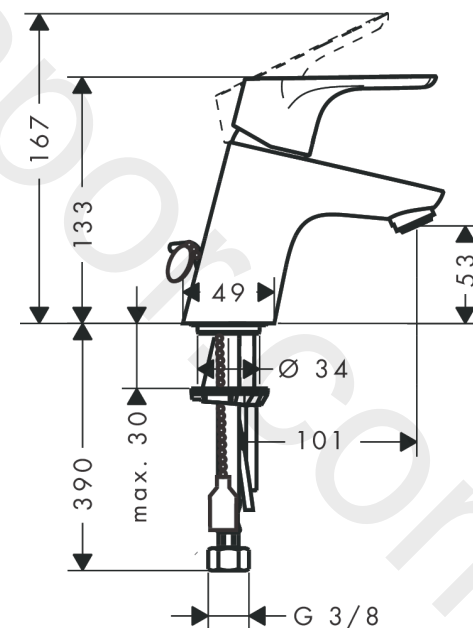
#### Certificates / Sustainability



#### Product image



#### Scale drawing



**Focus**

**Single lever basin mixer 70 with chain**

Finish: **Chrome** Article Number: **31732000**



**Flowchart**



www.divapor.com

**Focus**

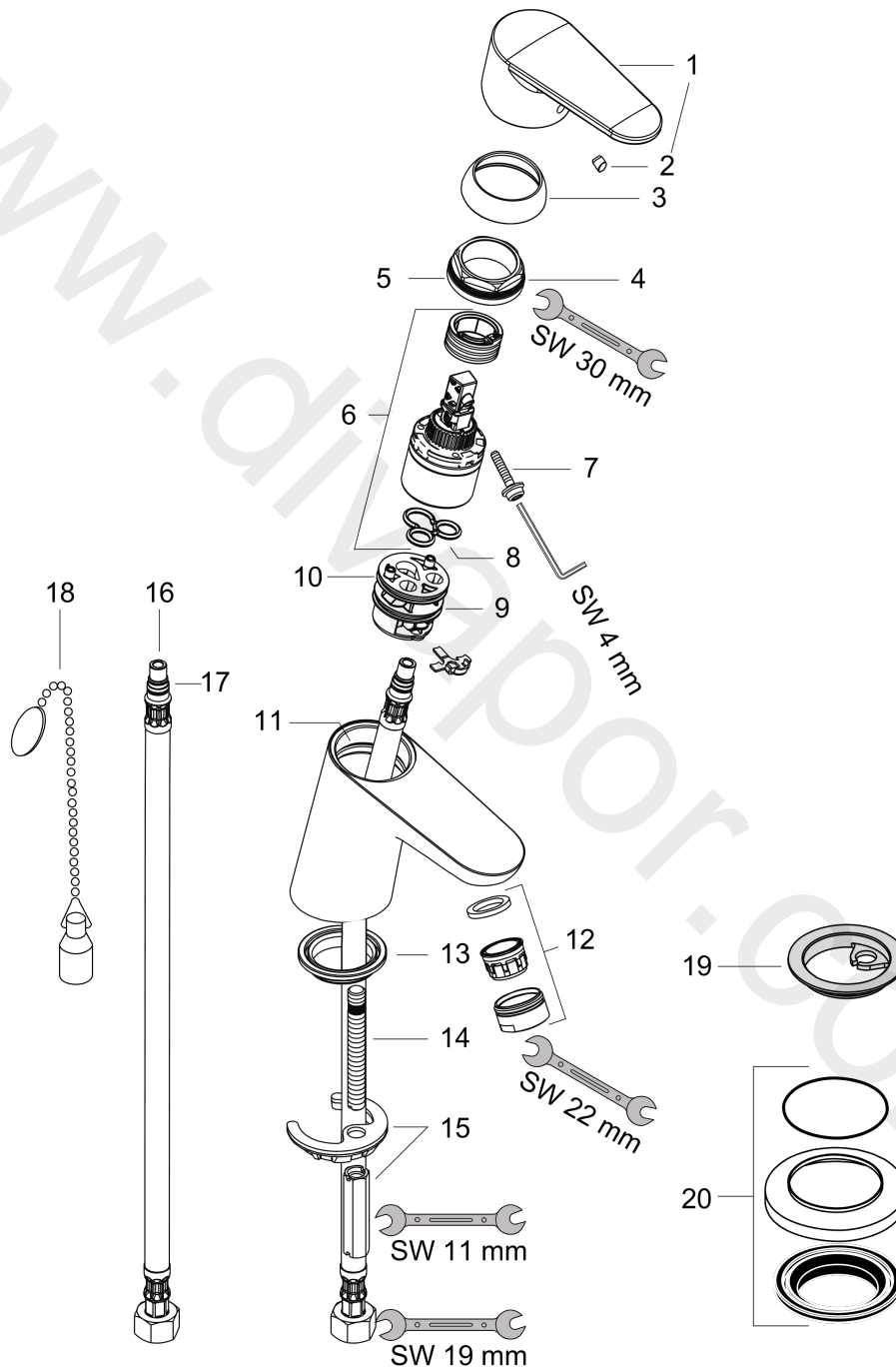
**Single lever basin mixer 70 with chain**

Finish: **Chrome** Article Number: **31732000**



**Exploded Drawing**

Year of production: >01/10



**Focus****Single lever basin mixer 70 with chain**Finish: **Chrome** Article Number: **31732000****Spare part list**

Year of production: &gt;01/10

Pos.	Description	Article Number	Price	PU
1	handle	98532000	£ 35,00	1
2	screw cover	96338000	£ 3,30	1
3	flange	97406000	£ 20,50	1
4	nut	97209000	£ 16,10	1
5	O-Ring 32x2	98193000	£ 3,30	1
6	cartridge, assy	92730000	£ 35,00	1
7	locking screw for handle	95140000	£ 6,10	1
8	seal	95008000	£ 9,00	1
9	adapter for cartridge	98750000	£ 13,30	1
10	O-Ring 30x2	98186000	£ 3,30	1
11	O-ring 35x2	92604000	£ 6,10	1
12	aerator M24x1 (5 l/min)	13185000	£ 22,30	1
13	seal Ø 42	98722000	£ 6,10	1
14	screw M8 x 68	97736000	£ 6,10	1
15	fixing set	96016000	£ 35,00	1
16	connection hose 450 mm M8x0,75 G3/8	97206000	£ 35,00	1
17	O-ring 7x1,5	98422000	£ 3,30	1
18	chain for plug	97109000	£ 16,10	1
19	seal Ø 45	98996000	£ 9,00	1
20	compensation escutcheon	32799000	£ 40,00	1