

Metris
Shut-off valve E for concealed installation
 Finish: **Chrome** Article Number: **31677000**



Description

product features

- connection type: DN15/DN20

Article Details

Price excl. VAT 50,83 £

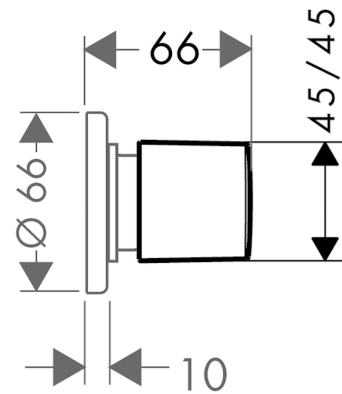
Certificates / Sustainability



Product image



Scale drawing

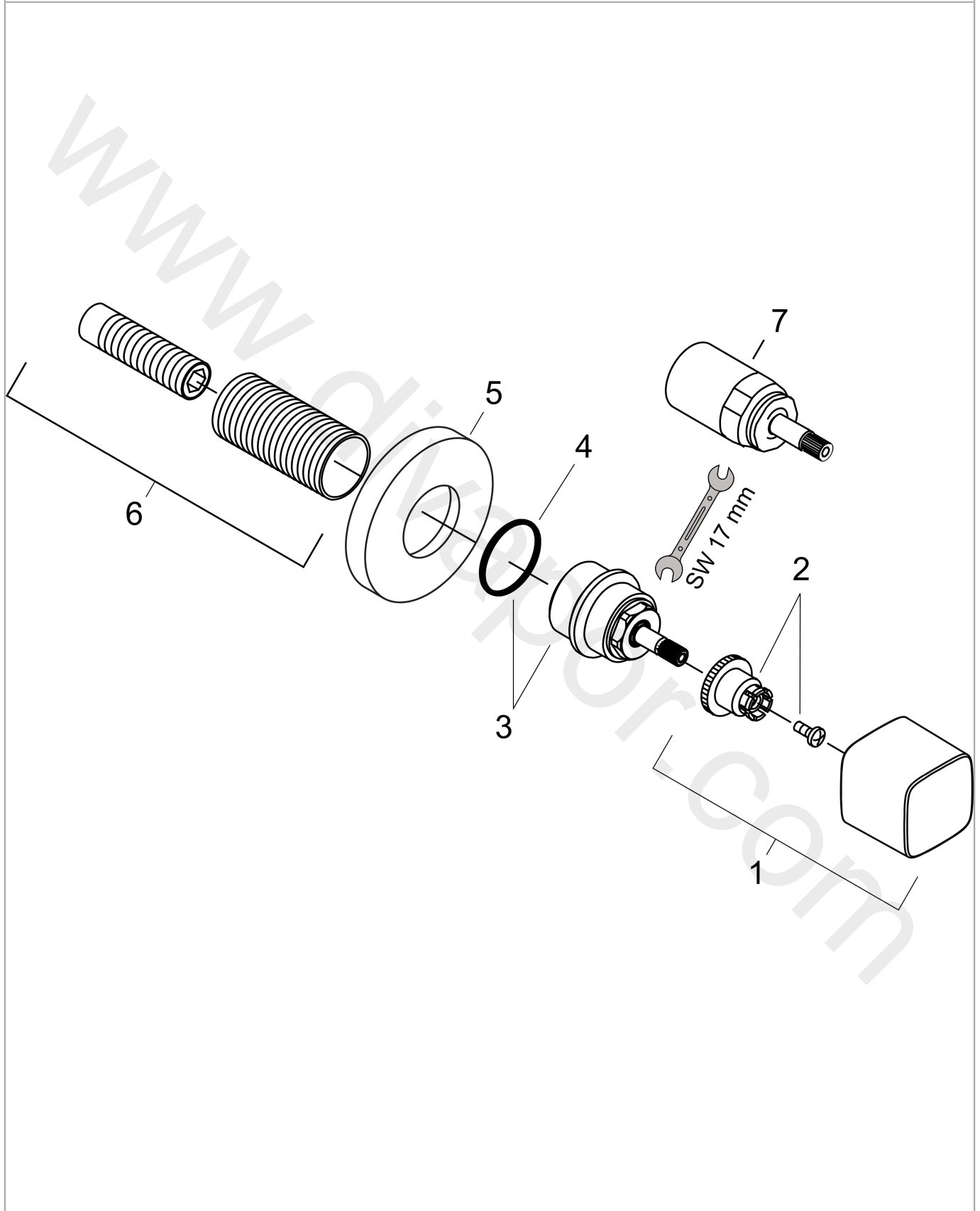


Metris
Shut-off valve E for concealed installation
 Finish: **Chrome** Article Number: **31677000**



Exploded Drawing

Year of production: >06/11



Metris**Shut-off valve E for concealed installation**Finish: **Chrome** Article Number: **31677000****Spare part list**

Year of production: >06/11

Pos.	Description	Article Number	Price	PU
1	handle	95278000	£ 51,00	1
2	handle fixing set	94184000	£ 6,10	1
3	nut	97358000	£ 43,00	1
4	O-ring 33x1,5	98164000	£ 3,30	1
5	escutcheon Ø 66 mm	94353000	£ 35,00	1
6	fixing set	96392000	£ 35,00	1
7	extension 25 mm	96370000	£ 84,00	1
a	concealed items DN20 (¾")	15970180	£ 138,00	1
b	concealed items ½"	15973180	£ 130,00	1
c	concealed items ½"	15974180	£ 133,00	1