

**Focus**

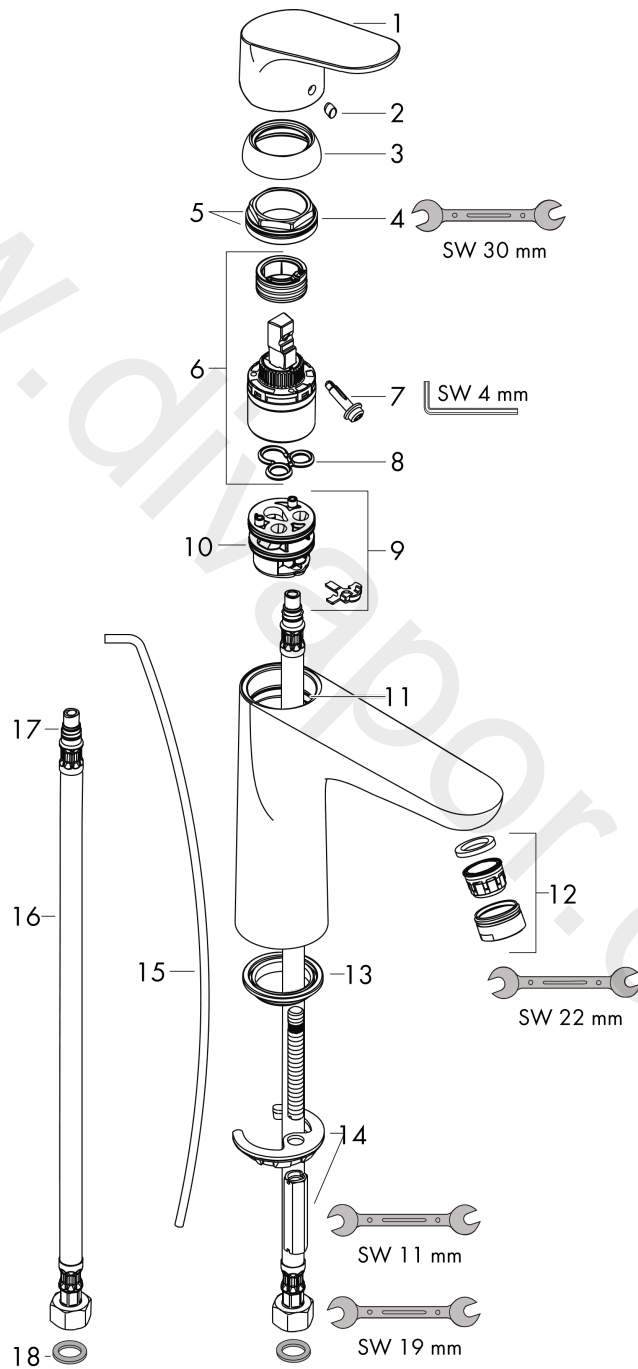
**Single lever basin mixer 100 with 2 flow rates with pop-up waste set**

Surfaces: Article Number: **31657000**



**Exploded Drawing**

Year of production: **08/12 - 06/15**



**Focus****Single lever basin mixer 100 with 2 flow rates with pop-up waste set**Surfaces: Article Number: **31657000****Spare part list**Year of production: **08/12 - 06/15**

Pos.	Description	Article Number	Price	PU
1	handle	98325000	£ 64,00	1
2	screw cover	96338000	£ 3,30	1
3	flange	97406000	£ 20,50	1
4	nut	97209000	£ 16,10	1
5	O-Ring 32x2	98193000	£ 3,30	1
6	cartridge, assy	92530000	£ 25,00	1
7	locking screw for handle	95140000	£ 6,10	1
8	seal	95008000	£ 9,00	1
9	adapter for cartridge	98324000	£ 16,10	1
10	O-Ring 30x2	98186000	£ 3,30	1
11	O-ring 35x2	92604000	£ 6,10	1
12	aerator M24x1 (15 l/min)	13913000	£ 14,00	1
13	flat seal	98749000	£ 6,10	1
14	fixing set	96016000	£ 35,00	1
15	connection hose 450 mm M8x0,75 G3/8	97206000	£ 35,00	1
16	pull rod	96657000	£ 13,30	1
17	O-ring 7x1,5	98422000	£ 3,30	1
a	pop up waste	94139000	£ 96,00	1