

Metris

Single lever bath mixer for exposed installation with centre distance 15.3 cm

Finish: **Chrome** Article Number: **31482000**



Description

product features

- 2 functions
- projection: 147 mm
- centre distance: 153 mm
- spray type mixer: normal spray
- maximum flow rate at 3 bar: 19 l/min
- flow rate for bath spout at 3 bar: 19 l/min
- flow rate of hand shower at 3 bar: 12 l/min
- ceramic cartridge
- temperature limitation adjustable
- diverter with automatic resetting
- protected against backflow, according to DIN EN 1717
- with silencer
- connection dimension: DN15
- wall-mounted
- min. operating pressure: 1 bar
- max. operating pressure: 10 bar

Article Details

Price excl. VAT

429,17 £

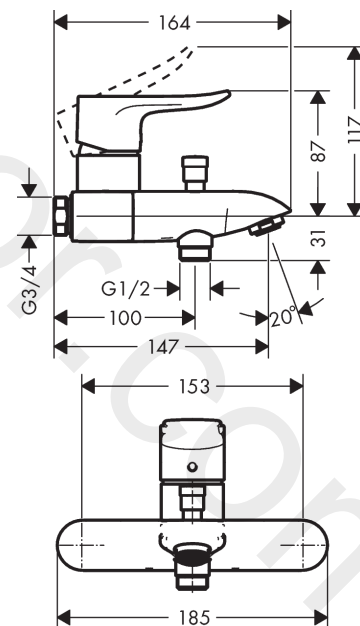
Technology



Product image



Scale drawing



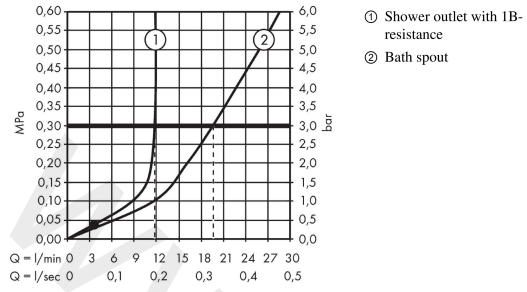
Metris

Single lever bath mixer for exposed installation with centre distance 15.3 cm

Finish: **Chrome** Article Number: **31482000**



Flowchart



Metris

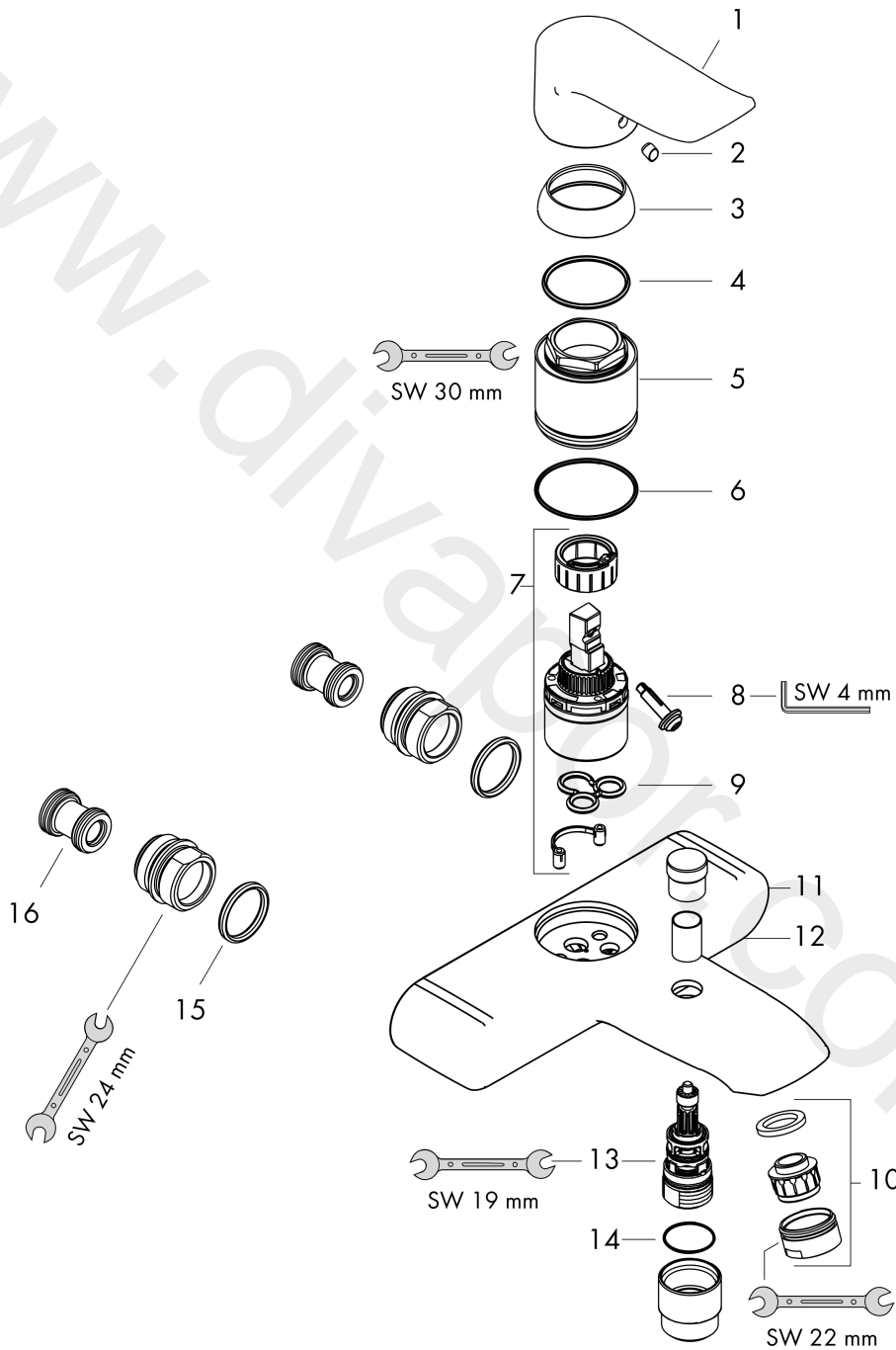
Single lever bath mixer for exposed installation with centre distance 15.3 cm

Finish: **Chrome** Article Number: **31482000**



Exploded Drawing

Year of production: >05/20



Metris**Single lever bath mixer for exposed installation with centre distance 15.3 cm**Finish: **Chrome** Article Number: **31482000****Spare part list**

Year of production: >05/20

Pos.	Description	Article Number	Price	PU
1	handle	95519000	£ 43,00	1
2	screw cover	96338000	£ 3,30	1
3	flange	97406000	£ 20,50	1
4	O-Ring 32x2	98193000	£ 3,30	1
5	nut	97977000	£ 43,00	1
6	O-ring 33x1,5	98164000	£ 3,30	1
7	cartridge, assy	92730000	£ 35,00	1
8	locking screw for handle	95140000	£ 6,10	1
9	seal	95008000	£ 9,00	1
10	aerator M24x1 (25 l/min)	13914000	£ 19,50	1
11	diverter knob	97981000	£ 20,50	1
12	sleeve	97979000	£ 16,10	1
13	selector	97978000	£ 64,00	1
14	O-ring 23x3	98142000	£ 3,30	1
15	O-Ring 14x2,5	98189000	£ 3,30	1
16	noise reduction	96429000	£ 6,10	1
a	diverter fixing device	97211000	£ 3,30	1