

Metris

Single lever bath mixer for concealed installation with integrated security combination according to EN1717 for iBox universal

Finish: **Chrome** Article Number: **31451000**



Description

product features

- 2 functions
- maximum flow rate at 3 bar: 25 l/min
- ceramic cartridge
- temperature limitation adjustable
- diverter with automatic resetting
- non-return valve
- with silencer
- with integrated safety combination EN 1717
- connection type: basic set
- wall-mounted

Article Details

Price excl. VAT

408,33 £

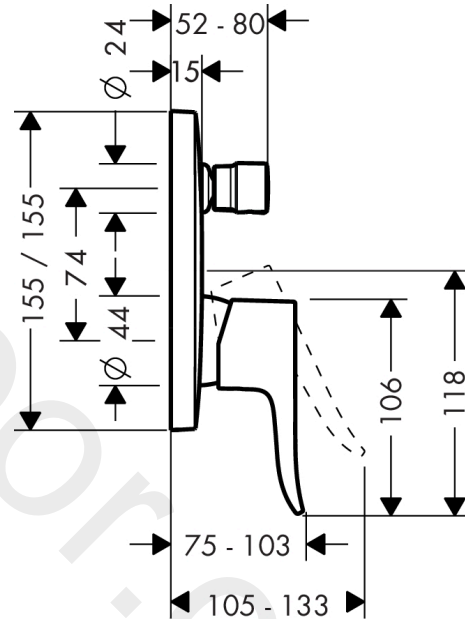
Certificates / Sustainability



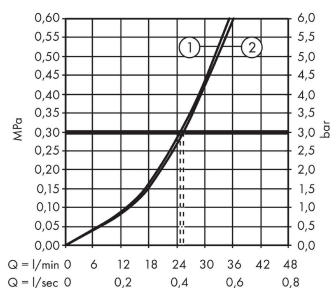
Product image



Scale drawing



Flowchart



Metris

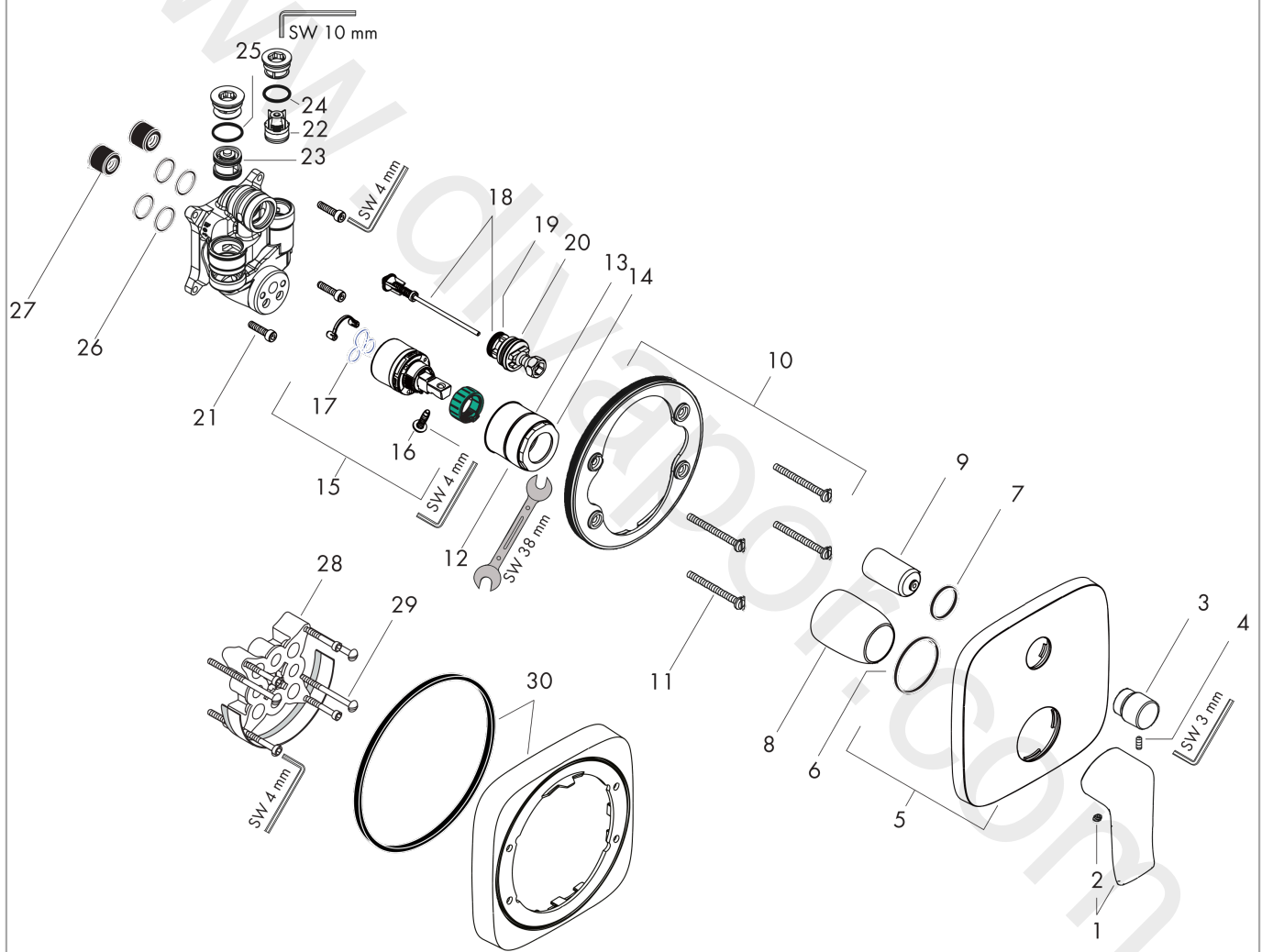
Single lever bath mixer for concealed installation with integrated security combination according to EN1717 for iBox universal

Finish: **Chrome** Article Number: **31451000**



Exploded Drawing

Year of production: >01/16



Metris

Single lever bath mixer for concealed installation with integrated security combination according to EN1717 for iBox universal

Finish: **Chrome** Article Number: **31451000**



Spare part list

Year of production: >01/16

Pos.	Description	Article Number	Price	PU
1	handle	95519000	£ 43,00	1
2	screw cover	96338000	£ 3,30	1
3	diverter knob	98795000	£ 51,00	1
4	hollow set screw M4x10	97667000	£ 3,30	1
5	escutcheon 155 / 155 mm	95275000	£ 64,00	1
6	O-ring 43x3	98418000	£ 3,30	1
7	O-ring 23x3	98142000	£ 3,30	1
8	flange	96348000	£ 13,30	1
9	sleeve	98794000	£ 35,00	1
10	holder for escutcheon	98793000	£ 43,00	1
11	set of fixing screws	96454000	£ 9,00	1
12	nut	98796000	£ 43,00	1
13	O-ring 30x1,5	98433000	£ 3,30	1
14	O-ring 39x1,5	98400000	£ 3,30	1
15	cartridge, assy	92730000	£ 35,00	1
16	locking screw for handle	95140000	£ 6,10	1
17	seal	95008000	£ 9,00	1
18	selector assy	95014000	£ 64,00	1
19	O-ring 16x2,3	98207000	£ 3,30	1
20	O-ring 20x2,5	92602000	£ 6,10	1
21	set of screws	96525000	£ 9,00	1
22	non return valve	96655000	£ 13,30	1
23	vacuum breaker	96753000	£ 16,10	1
24	O-ring 19x2	98426000	£ 3,30	1
25	O-Ring 22x2	98185000	£ 3,30	1
26	O-ring 16x2	98133000	£ 3,30	1
27	noise reduction	94073000	£ 25,00	1
28	extension 25 mm	13595000	£ 75,00	1
29	set of fixing screws	97747000	£ 3,30	1
30	extension 22 mm	15597000	£ 74,00	1