

## Metris

### 4-hole rim mounted bath mixer

Finish: **Chrome** Article Number: **31442000**



#### Description

##### product features

- consists of: 4-hole rim mounted bath mixer, baton hand shower, shower holder
- 2 functions
- projection: 220 mm
- spray type mixer: normal spray
- spray type hand shower: RainAir
- maximum pull-out length of hand shower: 1.10 m
- maximum flow rate at 3 bar: 25 l/min
- flow rate for bath spout at 3 bar: 25 l/min
- flow rate of hand shower at 3 bar: 17 l/min
- ceramic valves hot/cold 90°
- connection dimension: DN15
- connection type: basic set
- suitable for installation on bath rim
- min. operating pressure: 1 bar
- max. operating pressure: 10 bar

#### Article Details

Price excl. VAT

933,33 £

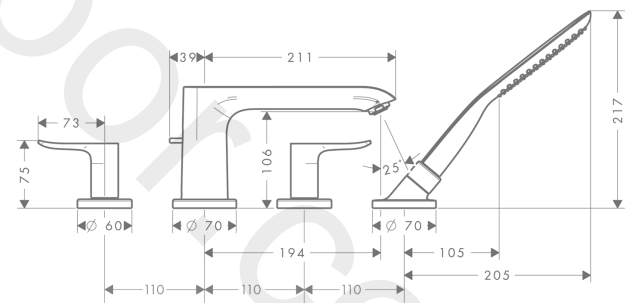
#### Technology



#### Product image



#### Scale drawing



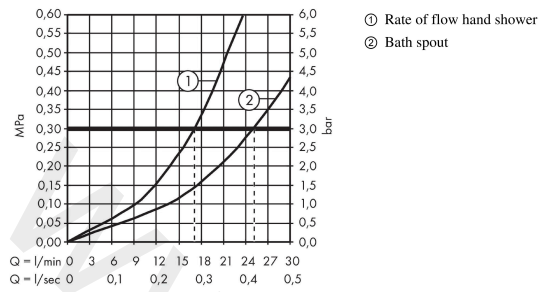
**Metris**

**4-hole rim mounted bath mixer**

Finish: **Chrome** Article Number: **31442000**



**Flowchart**



**Metris**

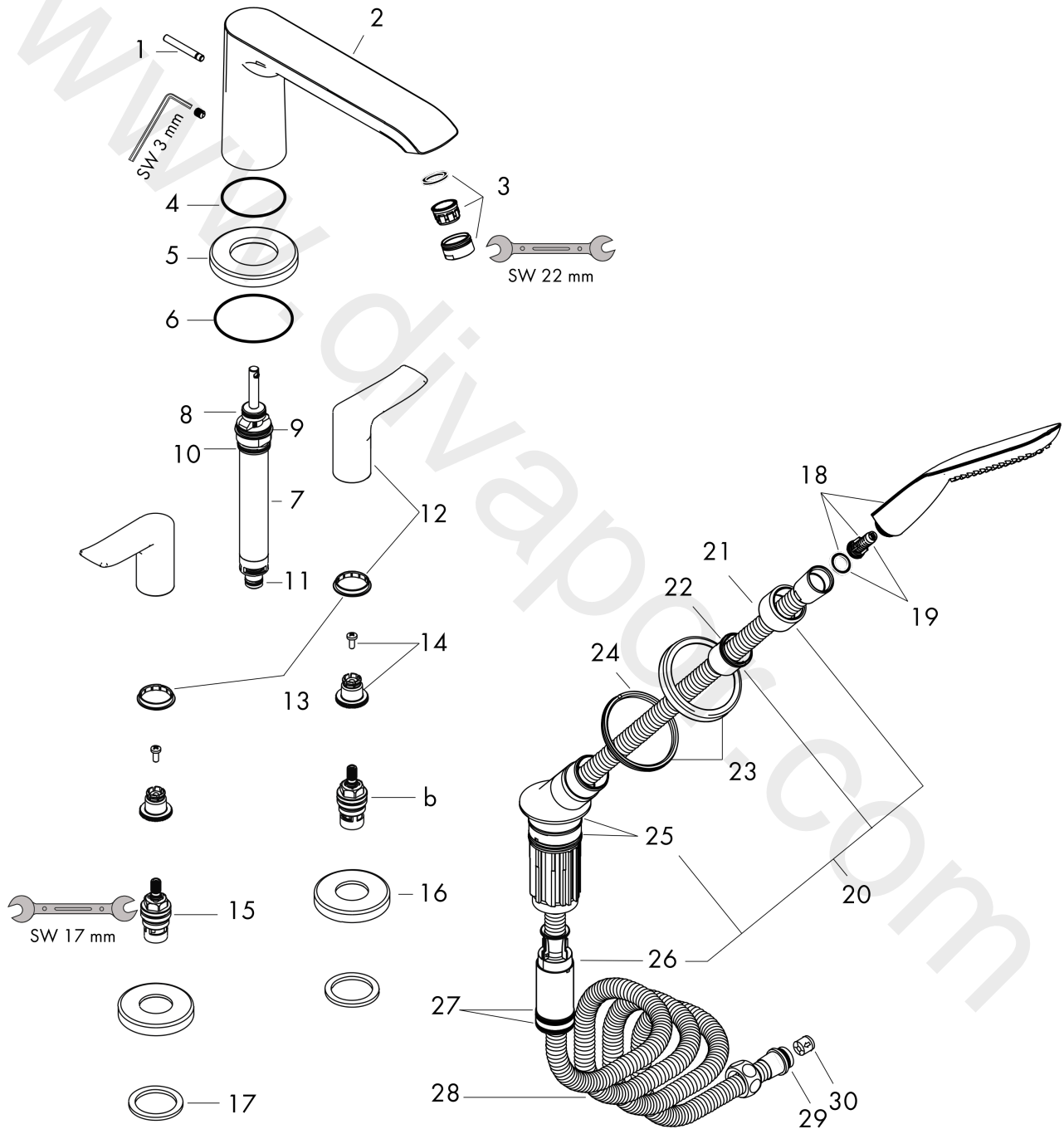
**4-hole rim mounted bath mixer**

Finish: **Chrome** Article Number: **31442000**



**Exploded Drawing**

Year of production: >07/11



## Metris

### 4-hole rim mounted bath mixer

Finish: **Chrome** Article Number: **31442000**



## Spare part list

Year of production: >07/11

Pos.	Description	Article Number	Price	PU
1	diverter knob	98707000	£ 25,00	1
2	spout cpl.	95799000	£ 585,00	1
3	aerator M24x1 (30 l/min)	96512000	£ 16,10	1
4	O-ring 43x1,5	98148000	£ 3,30	1
5	escutcheon Ø 70 mm	97779000	£ 79,00	1
6	O-ring 58x3	98202000	£ 3,30	1
7	selector assy	96775000	£ 79,00	1
8	O-Ring 14x2,5	98189000	£ 3,30	1
9	O-Ring 22x2	98185000	£ 3,30	1
10	O-Ring 23x2,5	98183000	£ 3,30	1
11	O-ring 9x2,5	98217000	£ 3,30	1
12	handle	95846000	£ 43,00	1
13	set of color-rings cold / hot water	95819000	£ 13,30	1
14	handle fixing set	94184000	£ 6,10	1
15	shut off unit right closing	94009000	£ 43,00	1
16	escutcheon	31098000	£ 43,00	1
17	flat seal	98749000	£ 6,10	1
18	handshower	28558000	£ 157,00	1
19	filter insert	97708000	£ 6,10	1
20	shower holder, assy	95996000	£ 137,00	1
21	nut	97584000	£ 16,10	1
22	insert for shower holder	96942000	£ 13,30	1
23	escutcheon for shower holder	95753000	£ 64,00	1
24	nut	97149000	£ 13,30	1
25	O-ring 38x2	98396000	£ 3,30	1
26	hose brake	98656000	£ 20,50	1
27	O-Ring 28x2	98194000	£ 3,30	1
28	shower hose 2,00 m	94148000	£ 79,00	1
29	O-ring 11x2	98127000	£ 3,30	1
30	set of non return valves DW 15	94074000	£ 16,10	1
a	concealed item	13444180	£ 1.270,00	1
b	shut off unit left closing	94008000	£ 43,00	1
c	O-ring 38x2,5	98198000	£ 6,10	1
d	sleeve	98806000	£ 6,10	1