

Talis

2-hole rim mounted bath mixer with diverter valve and Croma 100 hand shower 1jet

Finish: **Chrome** Article Number: **31426000**



Description

product features

- consists of: 2-hole rim mounted bath mixer, hand shower, shower holder, shower hose
- 2 functions
- centre distance: 180 mm
- ceramic cartridge (Highflow)
- operating pressure from 0.2 bar
- diverter with automatic resetting
- non-return valve
- with silencer
- connection dimension: DN15
- connection type: G 3/4
- suitable for installation on bath rim

Article Details

Price excl. VAT

691,67 £

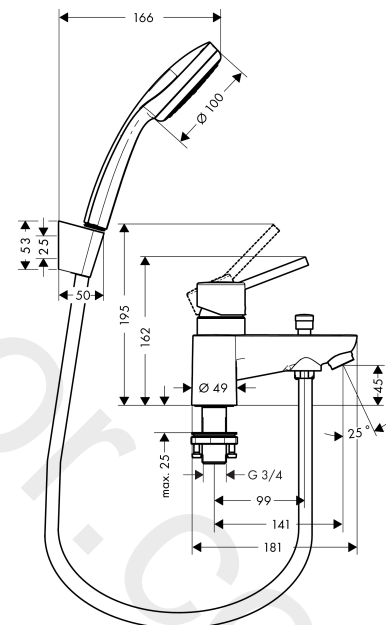
Technology



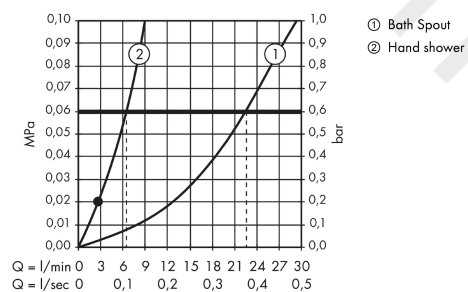
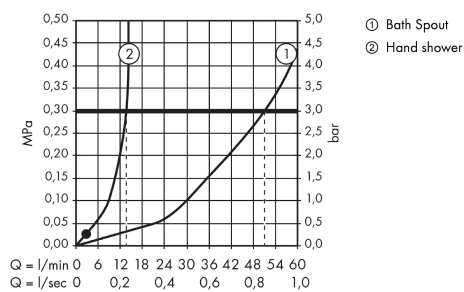
Product image



Scale drawing



Flowchart



Talis

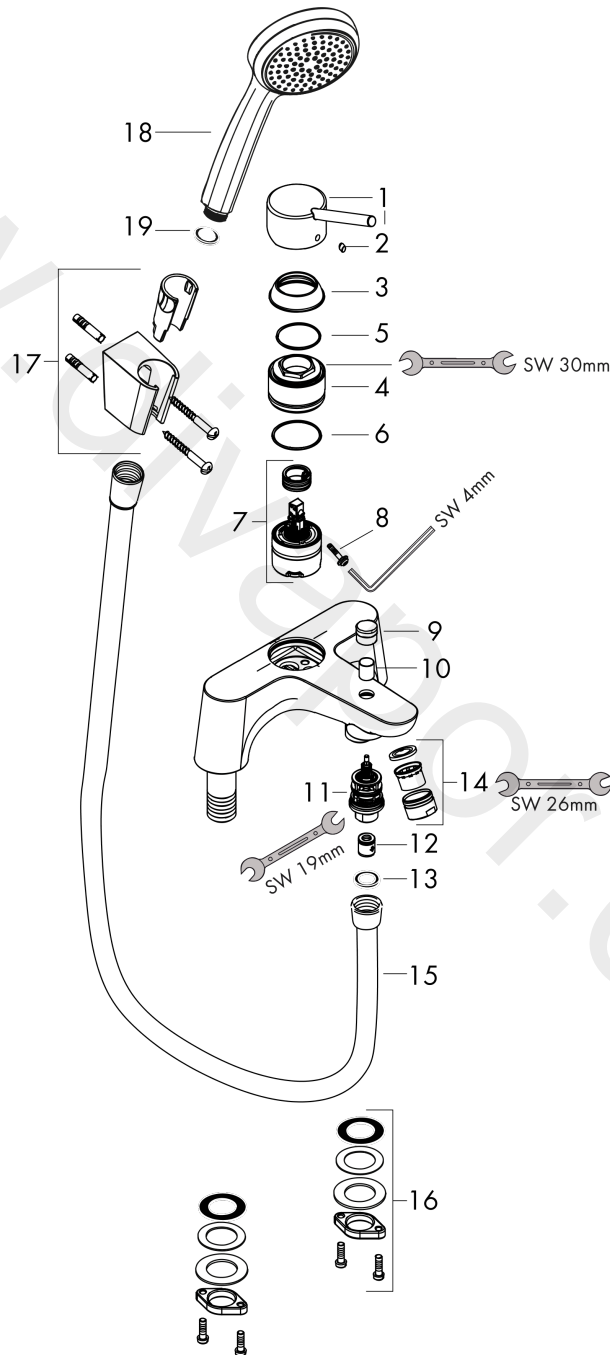
2-hole rim mounted bath mixer with diverter valve and Croma 100 hand shower 1jet

Finish: **Chrome** Article Number: **31426000**



Exploded Drawing

Year of production: >08/13



Talis

2-hole rim mounted bath mixer with diverter valve and Cromo 100 hand shower 1jet

Finish: **Chrome** Article Number: **31426000**



Spare part list

Year of production: >08/13

Pos.	Description	Article Number	Price	PU
1	handle	32892000	£ 51,00	1
2	screw cover	96338000	£ 3,30	1
3	flange	97995000	£ 20,50	1
4	nut	92156000	£ 79,00	1
5	O-ring 41x2	98212000	£ 3,30	1
6	O-ring 48x1,5	92159000	£ 3,30	1
7	cartridge, assy	92157000	£ 173,00	1
8	locking screw for handle	95140000	£ 6,10	1
9	diverter knob	96466000	£ 16,10	1
10	sleeve	97738000	£ 6,10	1
11	selector assy	97164000	£ 79,00	1
12	set of non return valves DW 15	94074000	£ 16,10	1
13	seal	98058000	£ 3,30	1
14	aerator cpl.	97163000	£ 25,00	1
15	shower hose Isiflex'B 1,60 m	28276000	£ 38,00	1
16	fixing set	98667000	£ 13,30	1
17	shower holder	28331000	£ 43,00	1
18	handshower	92315000	£ 96,00	1
19	filter packing	94246000	£ 3,30	1