

## Metris

Single lever basin mixer for concealed installation wall-mounted LowFlow 3,5 l/min with spout  
16,5 cm

Finish: **Chrome** Article Number: **31251000**



### Description

#### product features

- consists of: single lever basin mixer for concealed installation wall-mounted, waste set
- projection: 165 mm
- handle variant: lever handle
- spray type: normal spray
- maximum flow rate at 3 bar: 3,5 l/min
- ceramic cartridge
- temperature limitation adjustable
- suitable for continuous flow water heaters
- non-closing waste set
- material waste set: metal
- connection type: basic set
- connection dimension: DN15
- handle can be positioned on the right or left, depending on the basic set installation
- EU taxonomy: max. 6 l/min - Substantial Contribution (SC) possible

### Article Details

Price excl. VAT

379,17 £

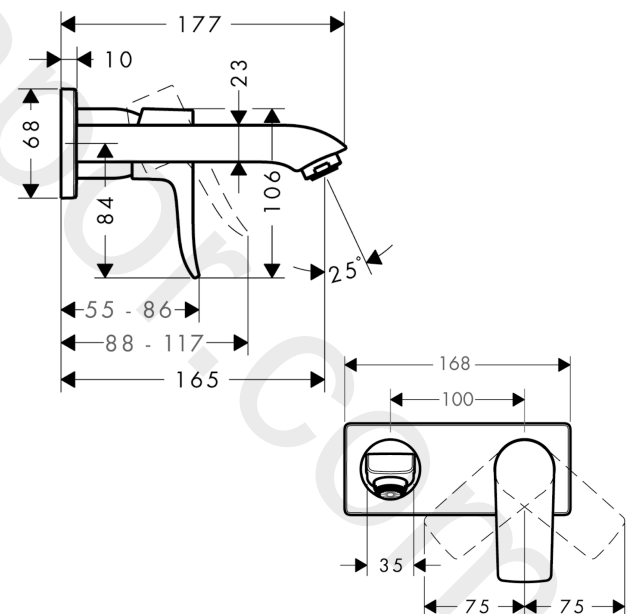
### Technology



### Product image



### Scale drawing



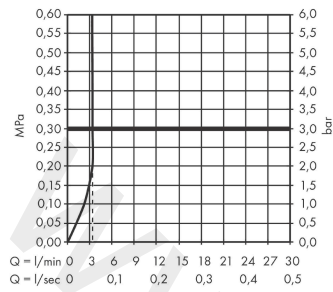
**Metris**

**Single lever basin mixer for concealed installation wall-mounted LowFlow 3,5 l/min with spout  
16,5 cm**

Finish: **Chrome** Article Number: **31251000**



**Flowchart**



www.divapor.com

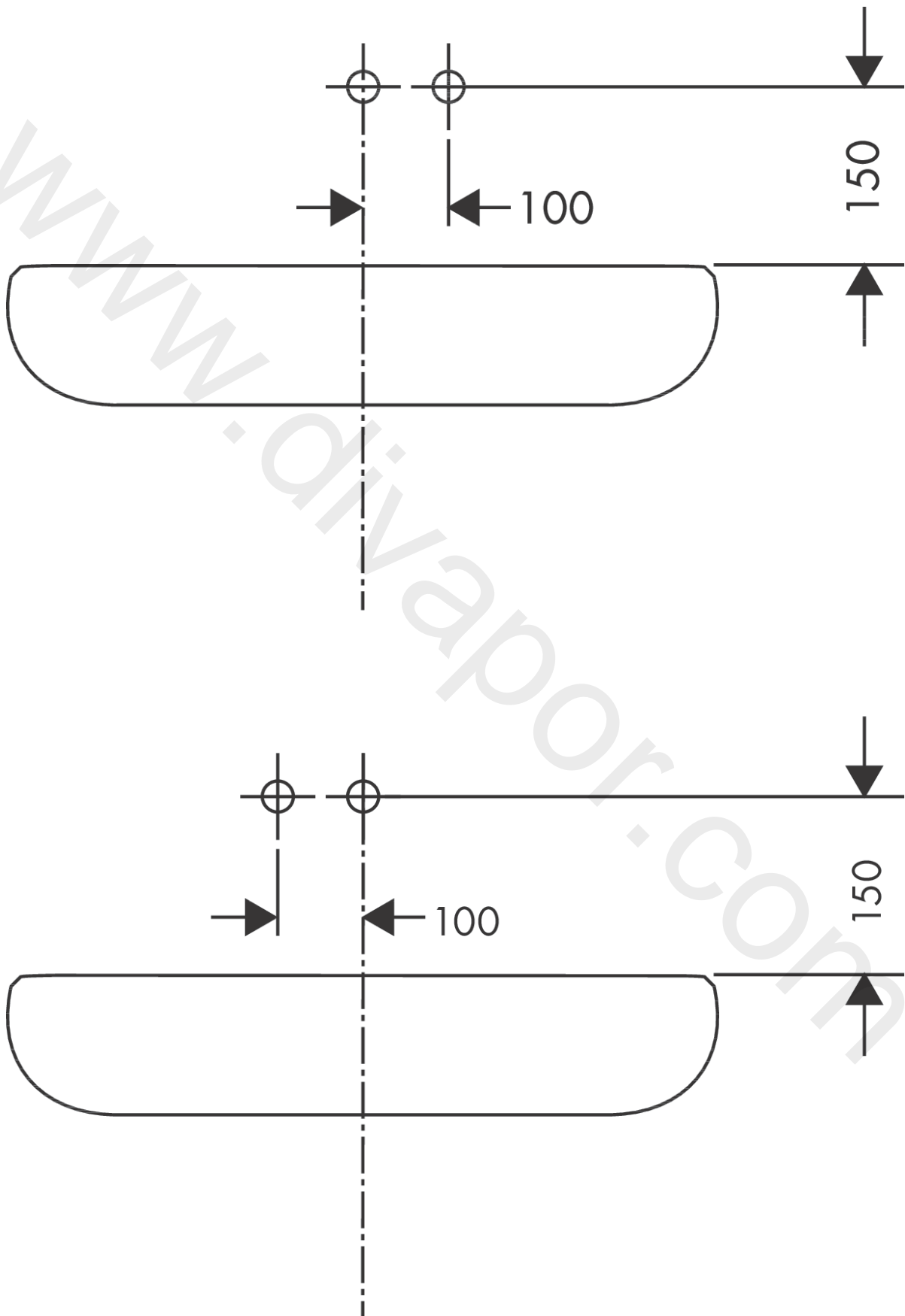
**Metris**

Single lever basin mixer for concealed installation wall-mounted LowFlow 3,5 l/min with spout  
16,5 cm

Finish: **Chrome** Article Number: **31251000**



Installation examples



**Metris**

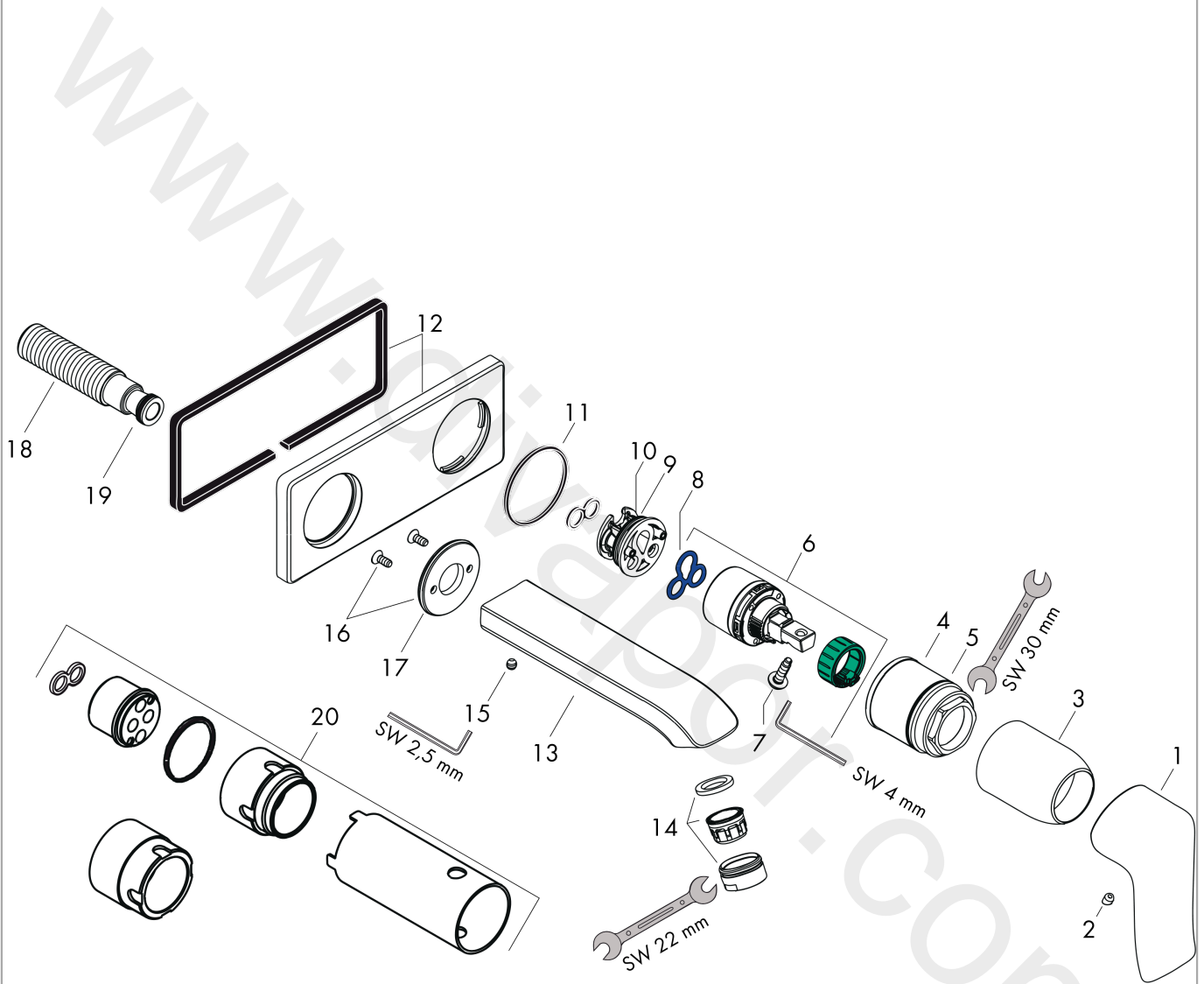
Single lever basin mixer for concealed installation wall-mounted LowFlow 3,5 l/min with spout  
16,5 cm

Finish: **Chrome** Article Number: **31251000**



**Exploded Drawing**

Year of production: >04/13



**Metris**
**Single lever basin mixer for concealed installation wall-mounted LowFlow 3,5 l/min with spout 16,5 cm**

 Finish: **Chrome** Article Number: **31251000**

**Spare part list**

Year of production: &gt;04/13

Pos.	Description	Article Number	Price	PU
1	handle	95519000	£ 43,00	1
2	screw cover	96338000	£ 3,30	1
3	sleeve	98790000	£ 35,00	1
4	nut	95622000	£ 43,00	1
5	O-ring 39x1,5	98400000	£ 3,30	1
6	cartridge, assy	95646000	£ 96,00	1
7	locking screw for handle	95140000	£ 6,10	1
8	seal	95008000	£ 9,00	1
9	adapter for cartridge	95779000	£ 16,10	1
10	O-ring 26x2	98147000	£ 3,30	1
11	O-ring 43x3	98418000	£ 3,30	1
12	escutcheon	95642000	£ 16,10	1
13	spout 165 mm	95702000	£ 224,00	1
14	aerator M24x1	98453000	£ 20,50	1
15	hollow set screw M5x6	94810000	£ 6,10	1
16	escutcheon	95641000	£ 64,00	1
17	O-Ring 30x2	98186000	£ 3,30	1
18	connecting thread G½	95626000	£ 43,00	1
19	O-ring 13x2	98128000	£ 3,30	1
20	extension set 25 mm for 13622180	31971000	£ 169,00	1
a	waste	50001000	£ 71,00	1