

Focus

Electronic basin mixer with temperature pre-adjustment mains connection 230 V

Finish: **Chrome** Article Number: **31174000**



Description

product features

- ComfortZone 130
- projection: 127 mm
- spray type: normal spray
- maximum flow rate at 3 bar: 5 l/min
- temperature limitation adjustable
- temperature pre-adjustable
- non-return valve
- suitable for continuous flow water heaters
- infrared sensor technology
- automatic environmental adjustment of infrared sensor
- adjustable optical range of infrared sensor (2 settings)
- 230 V / 50 Hz mains connection
- running time: 10 s
- hygiene rinse activatable (automatic water flow)
- frequency of hygiene rinse: 24 h
- flushing time hygiene rinse: 10 s
- permanent rinse activatable (single water flow for 180 seconds, suitable for thermal disinfection)
- cleaning mode: manual water stop for washbasin cleaning
- connection dimension: DN15
- TÜV certified
- dirt filters in the connection hoses
- EU taxonomy: max. 6 l/min - Substantial Contribution (SC) possible
- WRAS 2203010

Article Details

Price excl. VAT

570,83 £

Technology



Certificates / Sustainability



Focus

Electronic basin mixer with temperature pre-adjustment mains connection 230 V

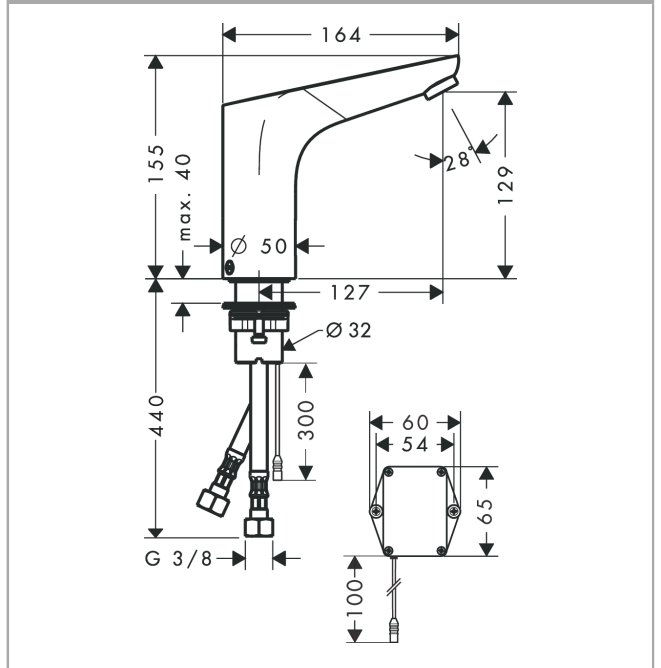
Finish: **Chrome** Article Number: **31174000**



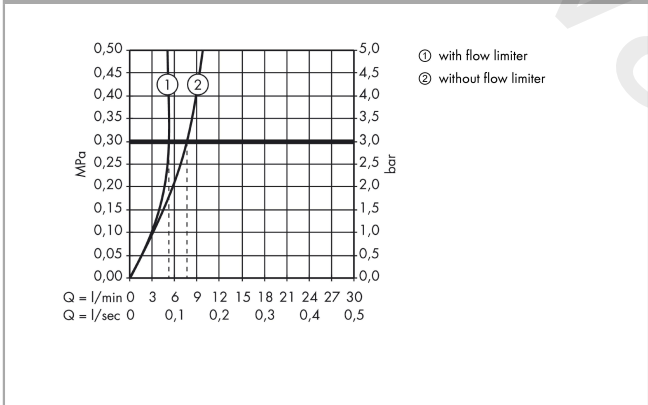
Product image



Scale drawing



Flowchart



Focus**Electronic basin mixer with temperature pre-adjustment mains connection 230 V**Finish: **Chrome** Article Number: **31174000****Spare part list**

Year of production: >02/16

Pos.	Description	Article Number	Price	PU
1	mixer-hood	92310000	£ 370,00	1
2	aerator M24x1 (5 l/min)	98802000	£ 51,00	1
3	service tool	98808000	£ 16,10	1
4	non return valve DW 10	96456000	£ 9,00	1
5	O-ring 18x1,5	98231000	£ 3,30	1
6	O-ring 7x1,5	98422000	£ 3,30	1
7	O-ring 17x2	98199000	£ 3,30	1
8	solenoid valve	95654000	£ 173,00	1
9	O-ring 41x2	98212000	£ 3,30	1
10	O-ring 6x2	98458000	£ 3,30	1
11	O-ring 5x2	98215000	£ 3,30	1
12	electronics	92346000	£ 173,00	1
13	transformer	98800000	£ 173,00	1
14	flat seal	98749000	£ 6,10	1
15	fixing set (Ø 32)	13961000	£ 25,00	1
16	lever collar	97548000	£ 3,30	1
17	connection hose 450 mm	92345000	£ 35,00	1
18	back flow preventor cartridge with microfilter	92297000	£ 96,00	1
19	sealing set	95581000	£ 6,10	1
20	screw	93272000	£ 3,30	1
a	fixation extension 35 mm	13898000	£ 79,00	1