

Metris

Pillar tap 100 for cold water or pre-adjusted water without waste set

Finish: **Chrome** Article Number: **31166000**



Description

product features

- ComfortZone 100
- projection: 89 mm
- spout height: 93 mm
- handle variant: lever handle
- spray type: normal spray
- maximum flow rate at 3 bar: 5 l/min
- ceramic valves 90°
- for cold water connection
- connection type: G 3/8 connection hose
- connection dimension: DN15
- EU taxonomy: max. 6 l/min - Substantial Contribution (SC) possible

Article Details

Price excl. VAT

270,83 £

Technology



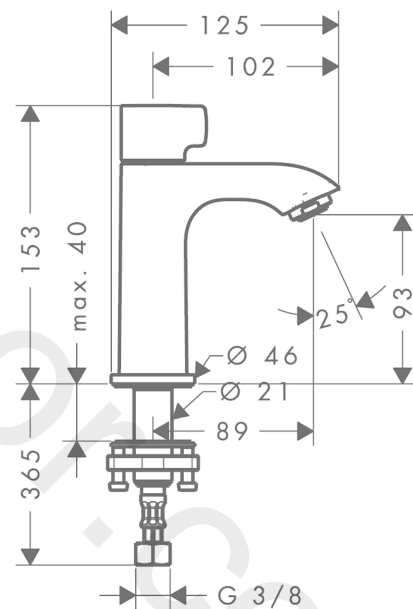
Certificates / Sustainability



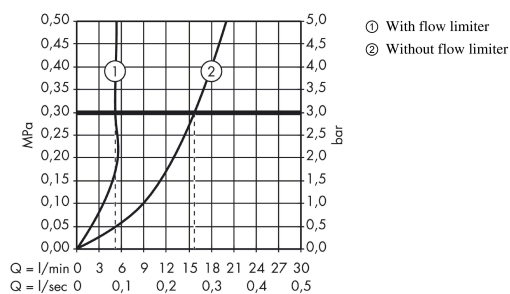
Product image



Scale drawing



Flowchart



Metris

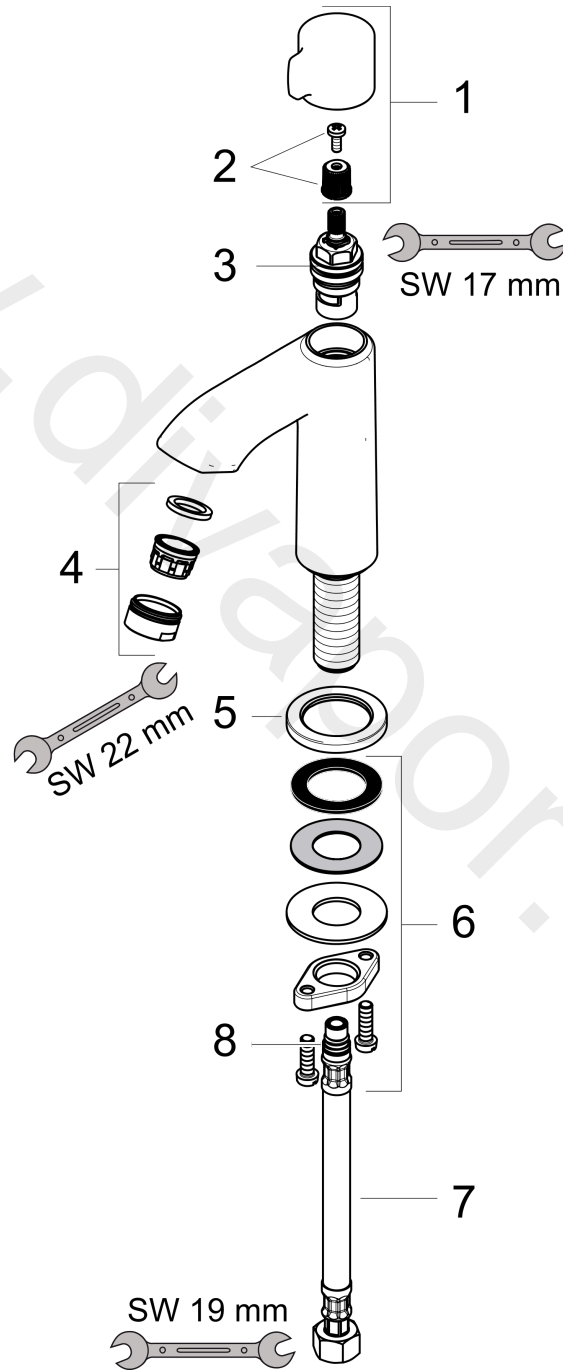
Pillar tap 100 for cold water or pre-adjusted water without waste set

Finish: **Chrome** Article Number: **31166000**



Exploded Drawing

Year of production: >01/11



Metris**Pillar tap 100 for cold water or pre-adjusted water without waste set**Finish: **Chrome** Article Number: **31166000****Spare part list**

Year of production: >01/11

Pos.	Description	Article Number	Price	PU
1	handle	95768000	£ 43,00	1
2	handle fixing set	98932000	£ 16,10	1
3	shut off unit right closing	94009000	£ 43,00	1
4	aerator M24x1 (5 l/min)	13185000	£ 22,30	1
5	escutcheon Ø 46 mm	95268000	£ 25,00	1
6	fixing set	94702000	£ 43,00	1
7	connection hose 450 mm M10x1 G3/8	96507000	£ 43,00	1
8	O-ring 8x1,75	97827000	£ 3,30	1