

## Metris

### Single lever basin mixer 230 without waste set

Finish: **Chrome** Article Number: **31081000**



#### Description

##### product features

- ComfortZone 230
- projection: 155 mm
- spout height: 230 mm
- handle variant: lever handle
- swivel range 120°
- spray type: normal spray
- maximum flow rate at 3 bar: 5 l/min
- ceramic cartridge
- temperature limitation adjustable
- suitable for continuous flow water heaters
- connection type: G 3/8 connections
- connection dimension: DN15
- handle position on the side: bottom-side at the base body (not suitable for wash bowls)
- EU taxonomy: max. 6 l/min - Substantial Contribution (SC) possible

#### Article Details

Price excl. VAT

400,00 £

#### Technology



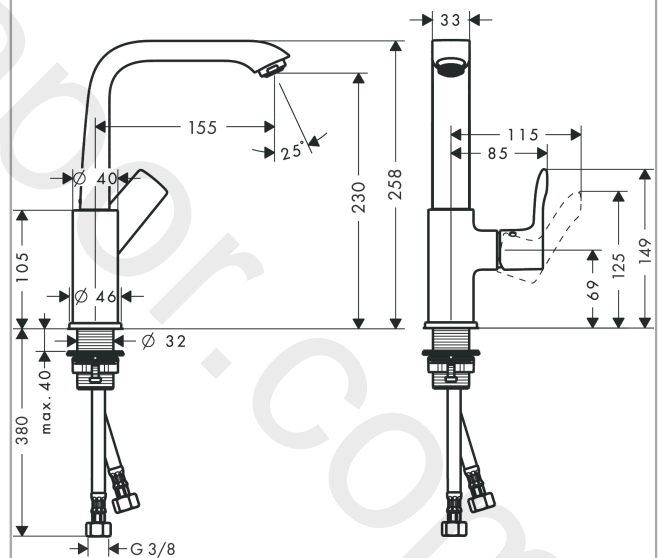
#### Certificates / Sustainability



#### Product image



#### Scale drawing



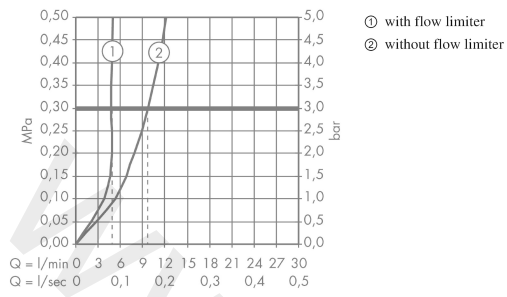
**Metris**

**Single lever basin mixer 230 without waste set**

Finish: **Chrome** Article Number: **31081000**



**Flowchart**



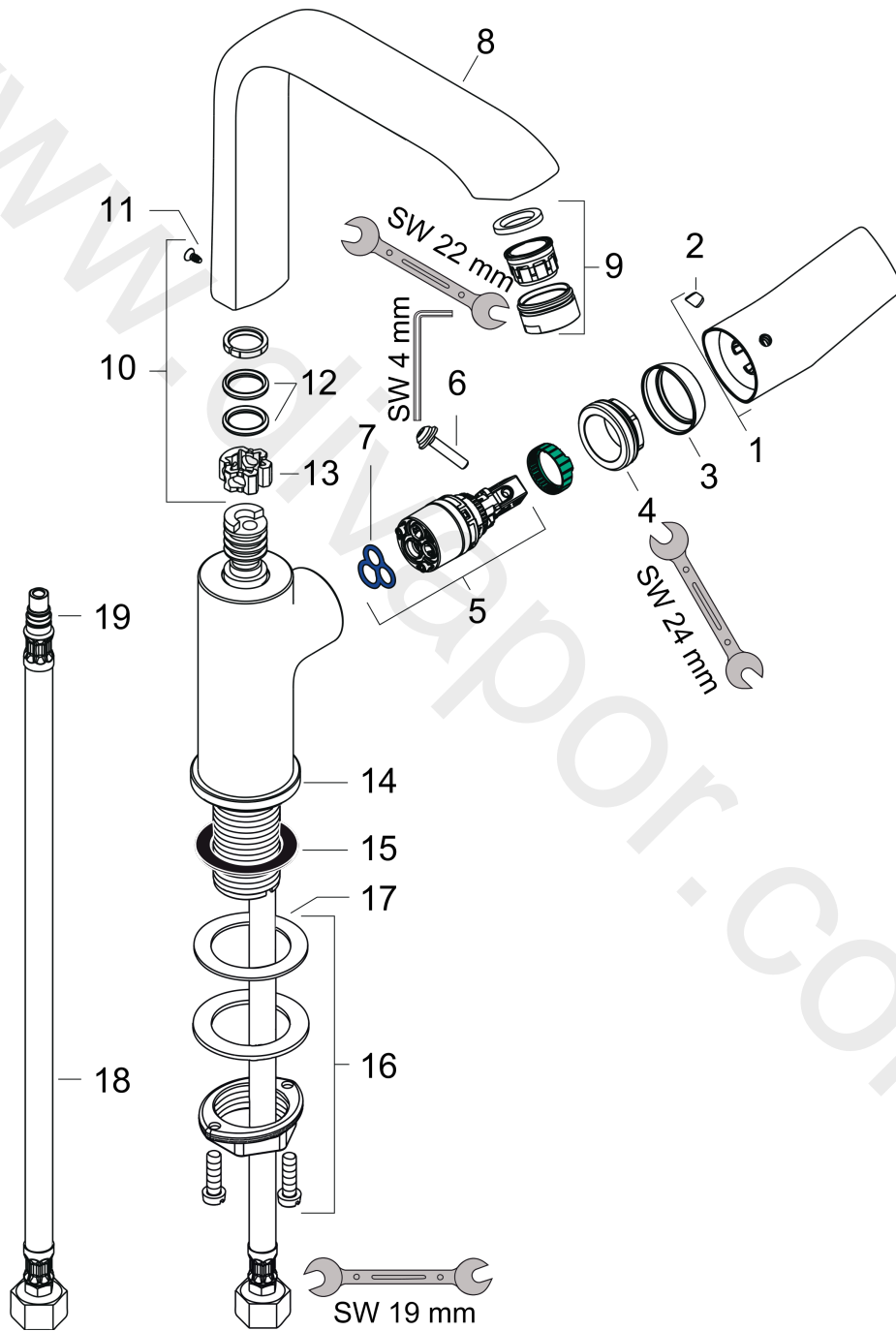
www.divapor.com

**Metris**  
**Single lever basin mixer 230 without waste set**  
 Finish: **Chrome** Article Number: **31081000**



**Exploded Drawing**

Year of production: >01/11



## Metris

### Single lever basin mixer 230 without waste set

Finish: **Chrome** Article Number: **31081000**



## Spare part list

Year of production: >01/11

Pos.	Description	Article Number	Price	PU
1	handle	95761000	£ 51,00	1
2	screw cover	96338000	£ 3,30	1
3	flange	95493000	£ 20,50	1
4	nut	95178000	£ 43,00	1
5	cartridge, assy	97685000	£ 64,00	1
6	locking screw for handle	95140000	£ 6,10	1
7	seal	98865000	£ 35,00	1
8	spout cpl.	95974000	£ 275,00	1
9	aerator M24x1 (5 l/min)	13185000	£ 22,30	1
10	sealing set	92646000	£ 20,50	1
11	screw	97662000	£ 9,00	1
12	O-Ring 14x2,5	98189000	£ 3,30	1
13	axialring	97558000	£ 3,30	1
14	escutcheon Ø 46 mm	95268000	£ 25,00	1
15	flat seal	98749000	£ 6,10	1
16	fixing set (Ø 32)	13961000	£ 25,00	1
17	lever collar	97548000	£ 3,30	1
18	connection hose 450 mm M8x0,75 G3/8	97206000	£ 35,00	1
19	O-ring 7x1,5	98422000	£ 3,30	1
a	fixation extension 35 mm	13898000	£ 79,00	1
b	aerator M24x1 (3,5 l/min)	92508000	£ 20,50	1
c	aerator M24x1 (4,5 l/min)	92877000	£ 20,50	1
d	aerator swivelling M24x1 (5 l/min)	95928000	£ 35,00	1