

## Metris S

Single lever basin mixer 100 LowFlow 3.5 l/min with pop-up waste set

Finish: **Chrome** Article Number: **31063000**



### Description

#### product features

- consists of: single lever basin mixer, waste set
- ComfortZone 100
- projection: 113 mm
- spout height: 94 mm
- handle variant: pin handle
- spray type: normal spray
- maximum flow rate at 3 bar: 3,5 l/min
- ceramic cartridge
- temperature limitation adjustable
- suitable for continuous flow water heaters
- pop-up waste set G 1¼
- material waste set: metal
- connection type: G ¾ connections
- connection dimension: DN15
- WRAS 2303036
- WRAS 2303036 - Approval letter 2303036

### Article Details

Price excl. VAT

308,33 £

### Technology



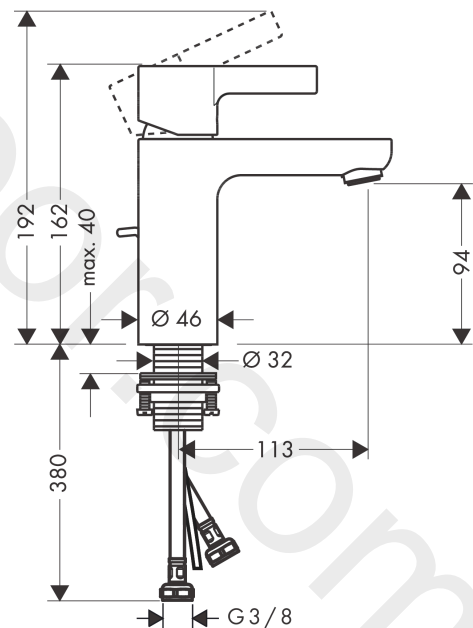
### Certificates / Sustainability



### Product image



### Scale drawing



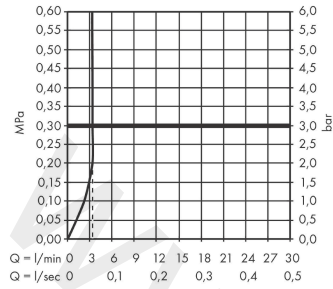
**Metris S**

**Single lever basin mixer 100 LowFlow 3.5 l/min with pop-up waste set**

Finish: **Chrome** Article Number: **31063000**



**Flowchart**



www.divapor.com

**Metris S**

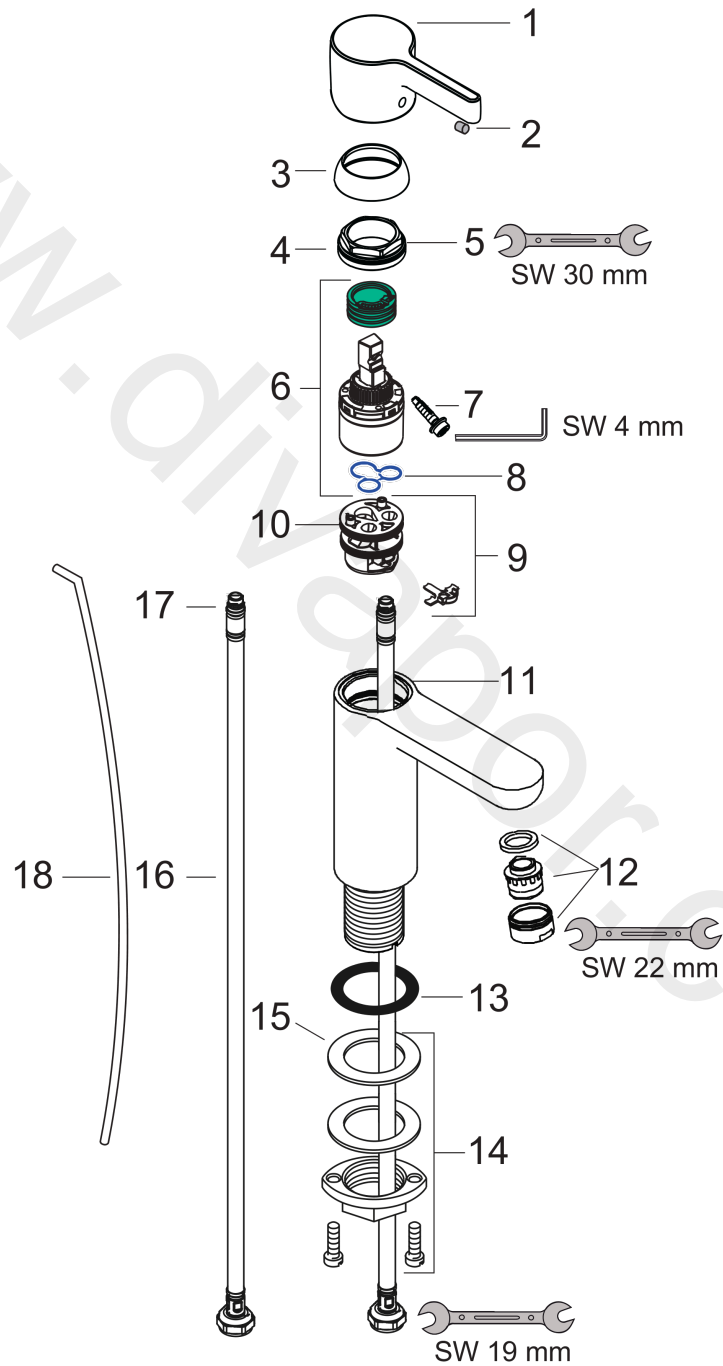
Single lever basin mixer 100 LowFlow 3.5 l/min with pop-up waste set

Finish: **Chrome** Article Number: **31063000**



**Exploded Drawing**

Year of production: >04/17



**Metris S****Single lever basin mixer 100 LowFlow 3.5 l/min with pop-up waste set**Finish: **Chrome** Article Number: **31063000****Spare part list**

Year of production: &gt;04/17

Pos.	Description	Article Number	Price	PU
1	handle	31093000	£ 43,00	1
2	screw cover	96338000	£ 3,30	1
3	flange	97406000	£ 20,50	1
4	nut	97209000	£ 16,10	1
5	O-Ring 32x2	98193000	£ 3,30	1
6	cartridge, assy	95646000	£ 96,00	1
7	locking screw for handle	95140000	£ 6,10	1
8	seal	95008000	£ 9,00	1
9	adapter for cartridge	98750000	£ 13,30	1
10	O-Ring 30x2	98186000	£ 3,30	1
11	O-ring 35x2	92604000	£ 6,10	1
12	aerator M24x1	98453000	£ 20,50	1
13	flat seal	98749000	£ 6,10	1
14	fixing set (Ø 32)	13961000	£ 25,00	1
15	lever collar	97548000	£ 3,30	1
16	connection hose 450 mm M8x0,75 G3/8	97206000	£ 35,00	1
17	O-ring 6,6x1,6	93019000	£ 3,30	1
18	pull rod	96657000	£ 13,30	1
a	pop up waste	94139000	£ 96,00	1
b	fixation extension 35 mm	13898000	£ 79,00	1