

Metris

Single lever bath mixer for exposed installation 2 ticks

Finish: **Chrome** Article Number: **31042009**



Description

product features

- 2 functions
- projection: 123 - 130.5 mm
- centre distance: 150 ± 12 mm
- spray type mixer: normal spray
- maximum flow rate at 3 bar: 18 l/min
- flow rate for bath spout at 3 bar: 18 l/min
- flow rate of hand shower at 3 bar: 5,8 l/min
- ceramic cartridge
- temperature limitation adjustable
- diverter with automatic resetting
- protected against backflow, according to DIN EN 1717
- with silencer
- suitable for continuous flow water heaters
- connection dimension: DN15
- connection type: s-shaped connections
- wall-mounted
- min. operating pressure: 1 bar
- max. operating pressure: 10 bar

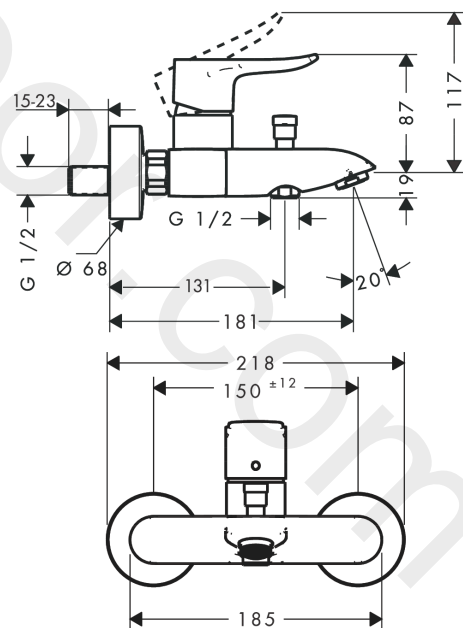
Technology



Product image



Scale drawing



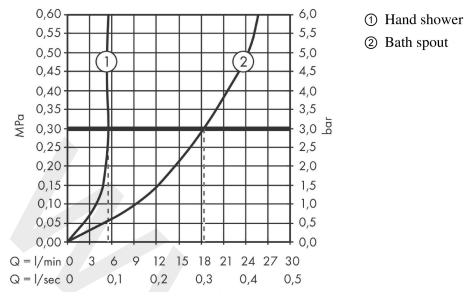
Metris

Single lever bath mixer for exposed installation 2 ticks

Finish: **Chrome** Article Number: **31042009**



Flowchart



Metris

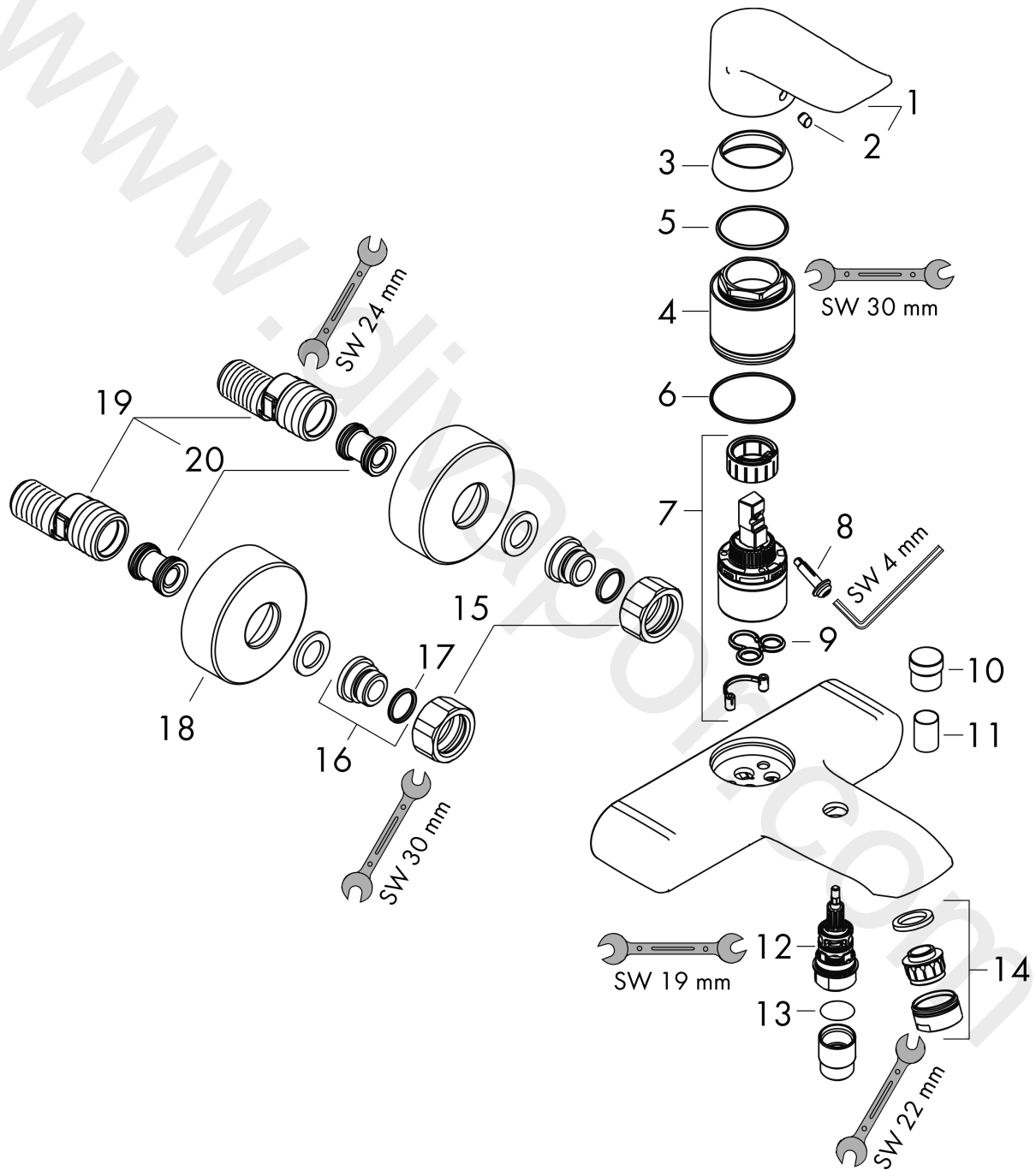
Single lever bath mixer for exposed installation 2 ticks

Finish: **Chrome** Article Number: **31042009**



Exploded Drawing

Year of production: >05/20



Metris**Single lever bath mixer for exposed installation 2 ticks**Finish: **Chrome** Article Number: **31042009****Spare part list**

Year of production: >05/20

Pos.	Description	Article Number	Price	PU
1	handle	95519000	£ 43,00	1
2	screw cover	96338000	£ 3,30	1
3	flange	97406000	£ 20,50	1
4	nut	97977000	£ 43,00	1
5	O-Ring 32x2	98193000	£ 3,30	1
6	O-ring 33x1,5	98164000	£ 3,30	1
7	cartridge, assy	92730000	£ 35,00	1
8	locking screw for handle	95140000	£ 6,10	1
9	seal	95008000	£ 9,00	1
10	diverter knob	97981000	£ 20,50	1
11	sleeve	97979000	£ 16,10	1
12	selector	97978019	-	1
13	O-Ring 14x2,5	98189000	£ 3,30	1
14	aerator M24x1	98453000	£ 20,50	1
15	set of nuts	96157000	£ 35,00	1
16	connecting thread	97220000	£ 16,10	1
17	O-ring 15x2	98163000	£ 3,30	1
18	escutcheon Ø 68 mm	96467000	£ 20,50	1
19	set of S-unions (±12 mm)	94140000	£ 51,00	1
20	noise reduction	96429000	£ 6,10	1