

Metris S

Single lever bath mixer for exposed installation 2 ticks

Finish: **Chrome** Article Number: **31040009**



Description

product features

- 2 functions
- projection: 167.5 - 175 mm
- centre distance: 150 mm
- spray type mixer: normal spray
- maximum flow rate at 3 bar: 19,4 l/min
- flow rate for bath spout at 3 bar: 11 l/min
- flow rate of hand shower at 3 bar: 5 l/min
- ceramic cartridge
- temperature limitation adjustable
- diverter with automatic resetting
- non-return valve
- with silencer
- connection dimension: DN15
- connection type: s-shaped connections
- wall-mounted
- min. operating pressure: 1 bar
- max. operating pressure: 10 bar

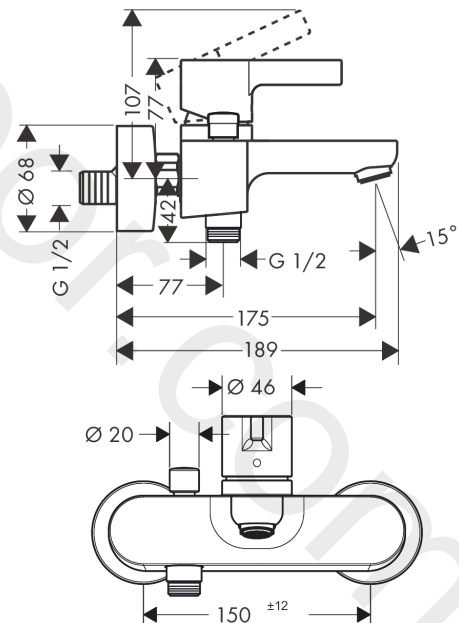
Technology



Product image



Scale drawing



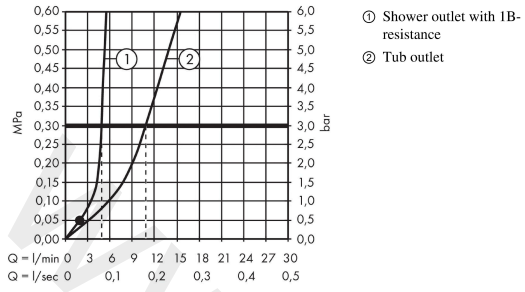
Metris S

Single lever bath mixer for exposed installation 2 ticks

Finish: **Chrome** Article Number: **31040009**



Flowchart

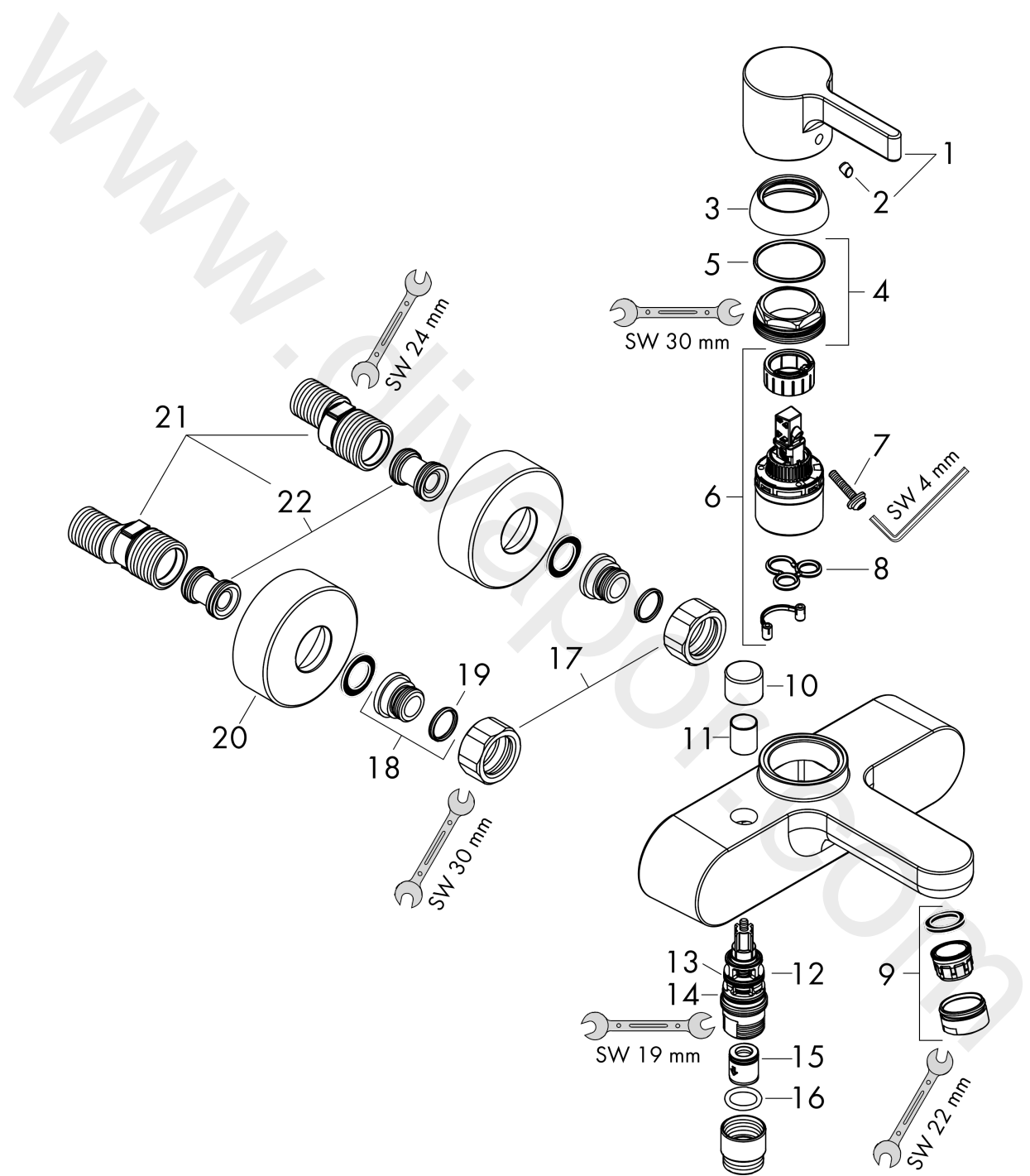


Metris S
Single lever bath mixer for exposed installation 2 ticks
 Finish: **Chrome** Article Number: **31040009**



Exploded Drawing

Year of production: >04/20



Metris S

Single lever bath mixer for exposed installation 2 ticks

Finish: **Chrome** Article Number: **31040009**



Spare part list

Year of production: >04/20

Pos.	Description	Article Number	Price	PU
1	handle	31093000	£ 43,00	1
2	screw cover	96338000	£ 3,30	1
3	flange	97406000	£ 20,50	1
4	nut	97209000	£ 16,10	1
5	O-Ring 32x2	98193000	£ 3,30	1
6	cartridge, assy	92730000	£ 35,00	1
7	locking screw for handle	95140000	£ 6,10	1
8	seal	95008000	£ 9,00	1
9	aerator M24x1 (30 l/min)	96512000	£ 16,10	1
10	diverter knob	96466000	£ 16,10	1
11	sleeve	97738000	£ 6,10	1
12	selector assy	94077019	-	1
13	O-ring 17x1,5	98137000	£ 3,30	1
14	O-ring 18x2	98181000	£ 6,10	1
15	non return valve	92839000	£ 16,10	1
16	O-Ring 14x2,5	98189000	£ 3,30	1
17	set of nuts	96157000	£ 35,00	1
18	connecting thread	97220000	£ 16,10	1
19	O-ring 15x2	98163000	£ 3,30	1
20	escutcheon Ø 68 mm	96467000	£ 20,50	1
21	set of S-unions (±12 mm)	94140000	£ 51,00	1
22	noise reduction	96429000	£ 6,10	1