

Metris S

Single lever basin mixer for concealed installation wall-mounted with spout 16,5 cm 3 ticks

Finish: **Chrome** Article Number: **31039009**



Description

product features

- consists of: single lever basin mixer for concealed installation wall-mounted, waste set
- projection: 165 mm
- handle variant: lever handle
- maximum flow rate at 3 bar: 1,9 l/min
- ceramic cartridge
- temperature limitation adjustable
- non-closing waste set
- material waste set: metal
- connection type: basic set
- connection dimension: DN15
- handle can be positioned on the right or left, depending on the basic set installation

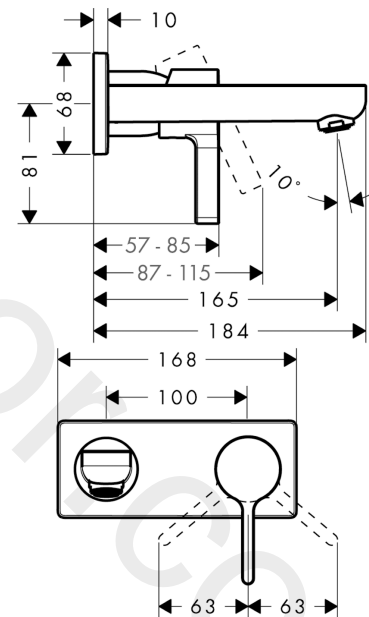
Technology



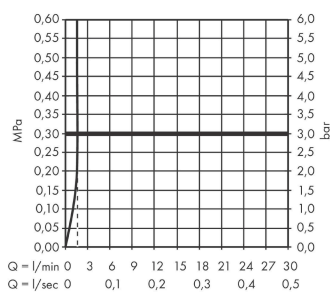
Product image



Scale drawing



Flowchart



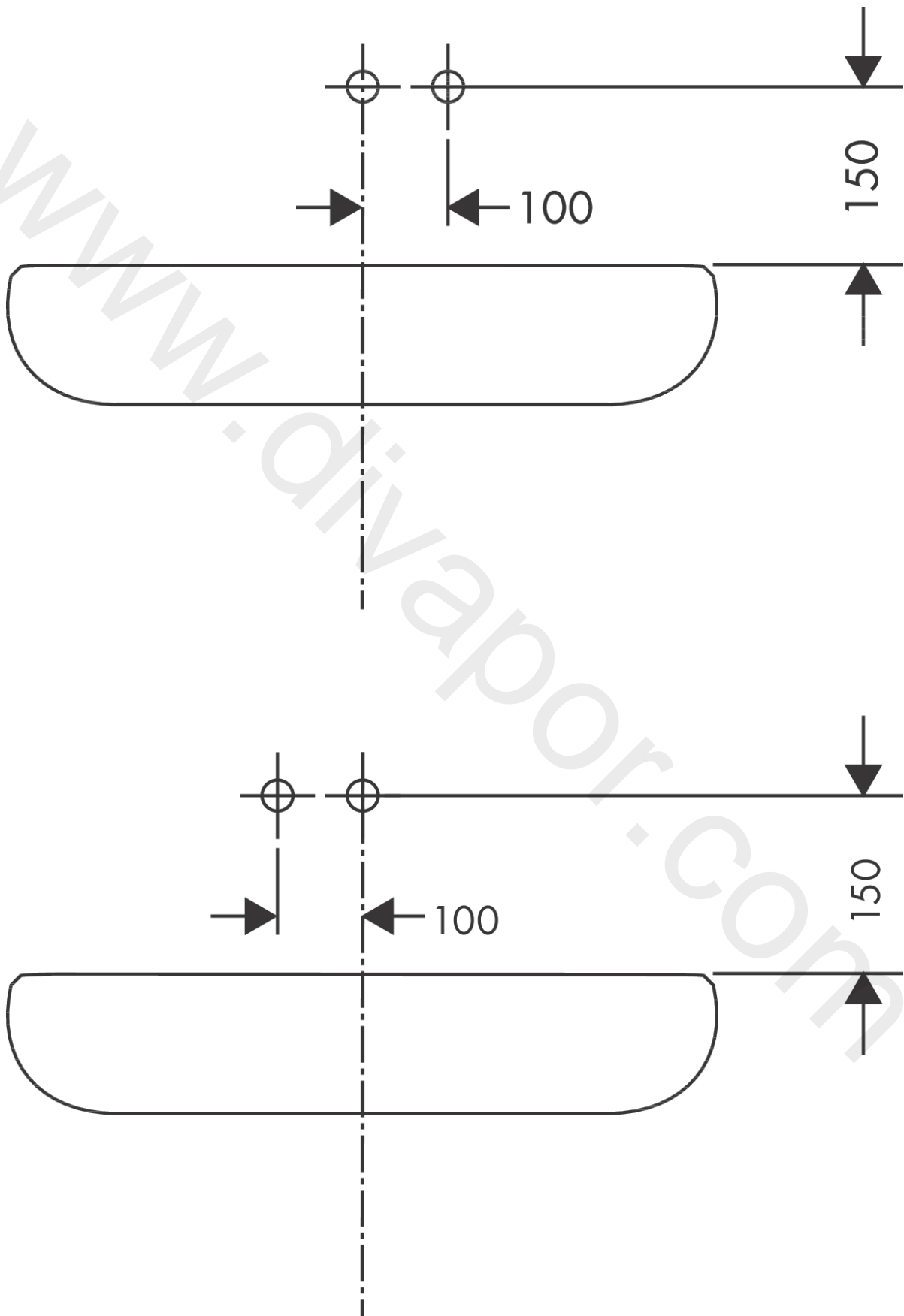
Metris S

Single lever basin mixer for concealed installation wall-mounted with spout 16,5 cm 3 ticks

Finish: **Chrome** Article Number: **31039009**



Installation examples



Metris S

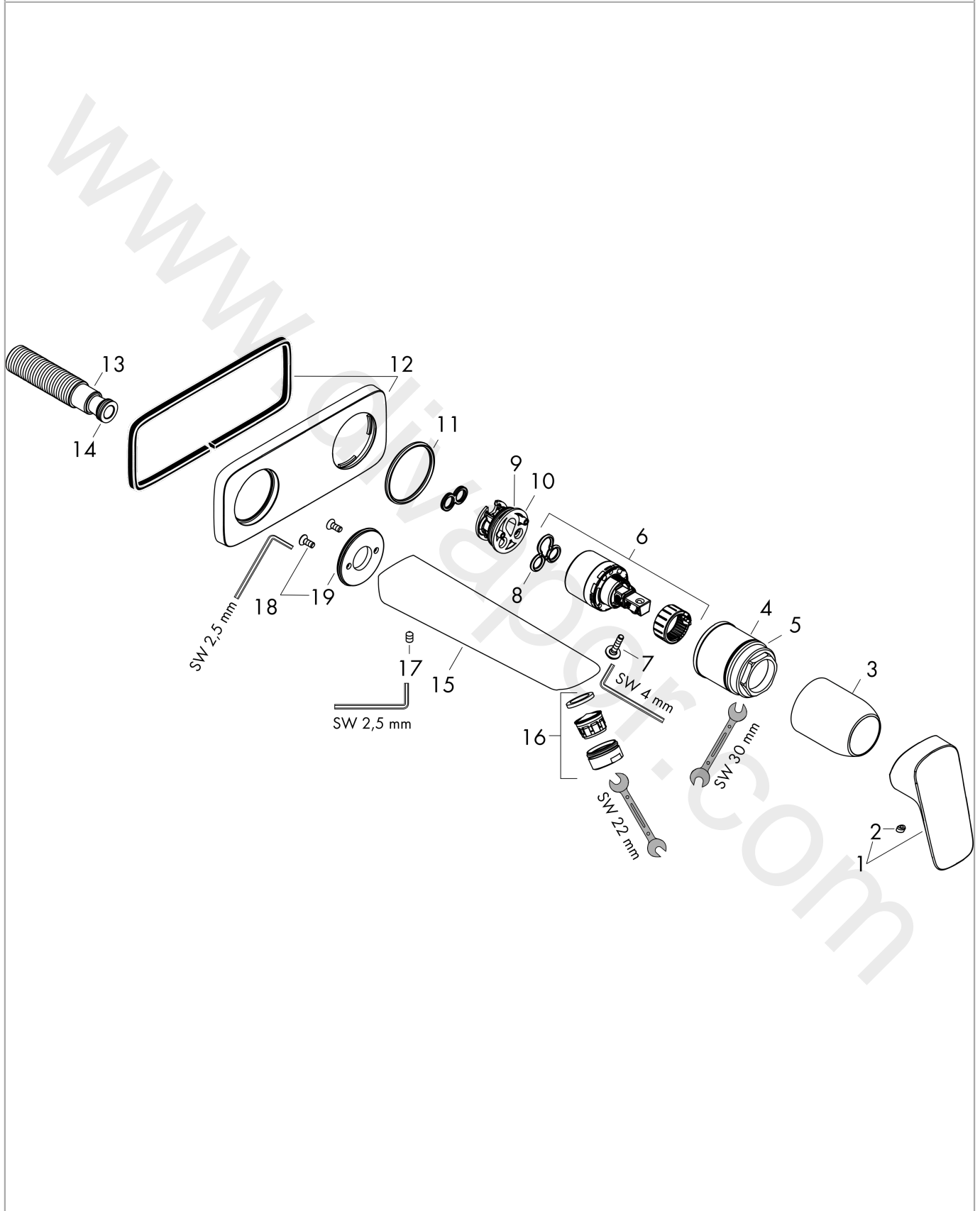
Single lever basin mixer for concealed installation wall-mounted with spout 16,5 cm 3 ticks

Finish: **Chrome** Article Number: **31039009**



Exploded Drawing

Year of production: >04/09



Metris S

Single lever basin mixer for concealed installation wall-mounted with spout 16,5 cm 3 ticks

Finish: **Chrome** Article Number: **31039009**



Spare part list

Year of production: >04/09

Pos.	Description	Article Number	Price	PU
1	handle	31093000	£ 43,00	1
2	screw cover	96338000	£ 3,30	1
3	sleeve	98790000	£ 35,00	1
4	nut	95622000	£ 43,00	1
5	O-ring 39x1,5	98400000	£ 3,30	1
6	cartridge, assy	95646000	£ 96,00	1
7	locking screw for handle	95140000	£ 6,10	1
8	seal	95008000	£ 9,00	1
9	adapter for cartridge	95779000	£ 16,10	1
10	O-ring 26x2	98147000	£ 3,30	1
11	O-ring 43x3	98418000	£ 3,30	1
12	escutcheon	95641000	£ 64,00	1
13	connecting thread G½	95626000	£ 43,00	1
14	O-ring 13x2	98128000	£ 3,30	1
15	spout 165 mm	95639000	£ 173,00	1
16	aerator M24x1 (1,9 l/min)	92300000	£ 35,00	1
17	hollow set screw M5x6	94810000	£ 6,10	1
18	escutcheon	95642000	£ 16,10	1
19	O-Ring 30x2	98186000	£ 3,30	1
a	base body	13622180	£ 355,00	1
b	waste	50001000	£ 71,00	1