

Metris S

3-hole basin mixer 100 with lever handles and pop-up waste set 0.5 GPM

Finish: **Chrome** Article Number: **31013001**



Description

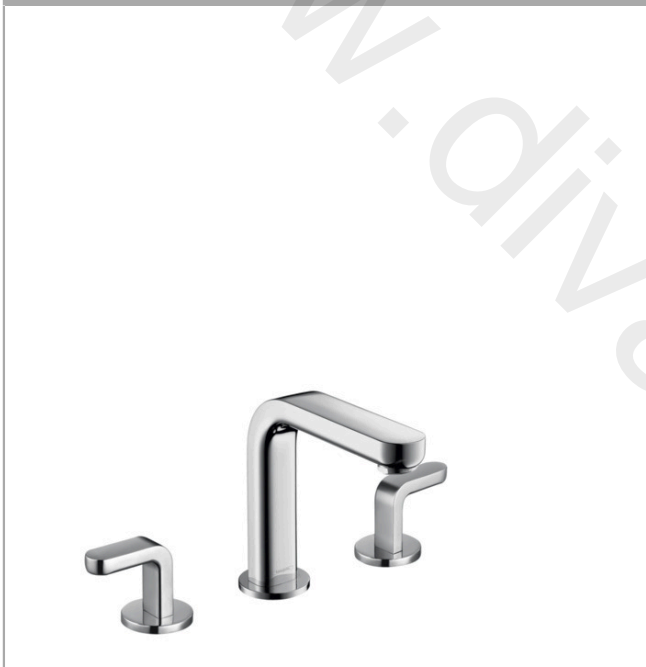
product features

- ComfortZone 100
- projection: 130 mm
- handle variant: lever handle
- spray type: normal spray
- maximum flow rate at 3 bar: 1,9 l/min
- ceramic valves hot/cold 90°
- suitable for continuous flow water heaters
- pop-up waste set G 1
- connection type: NPT ½

Technology



Product image



Metris S

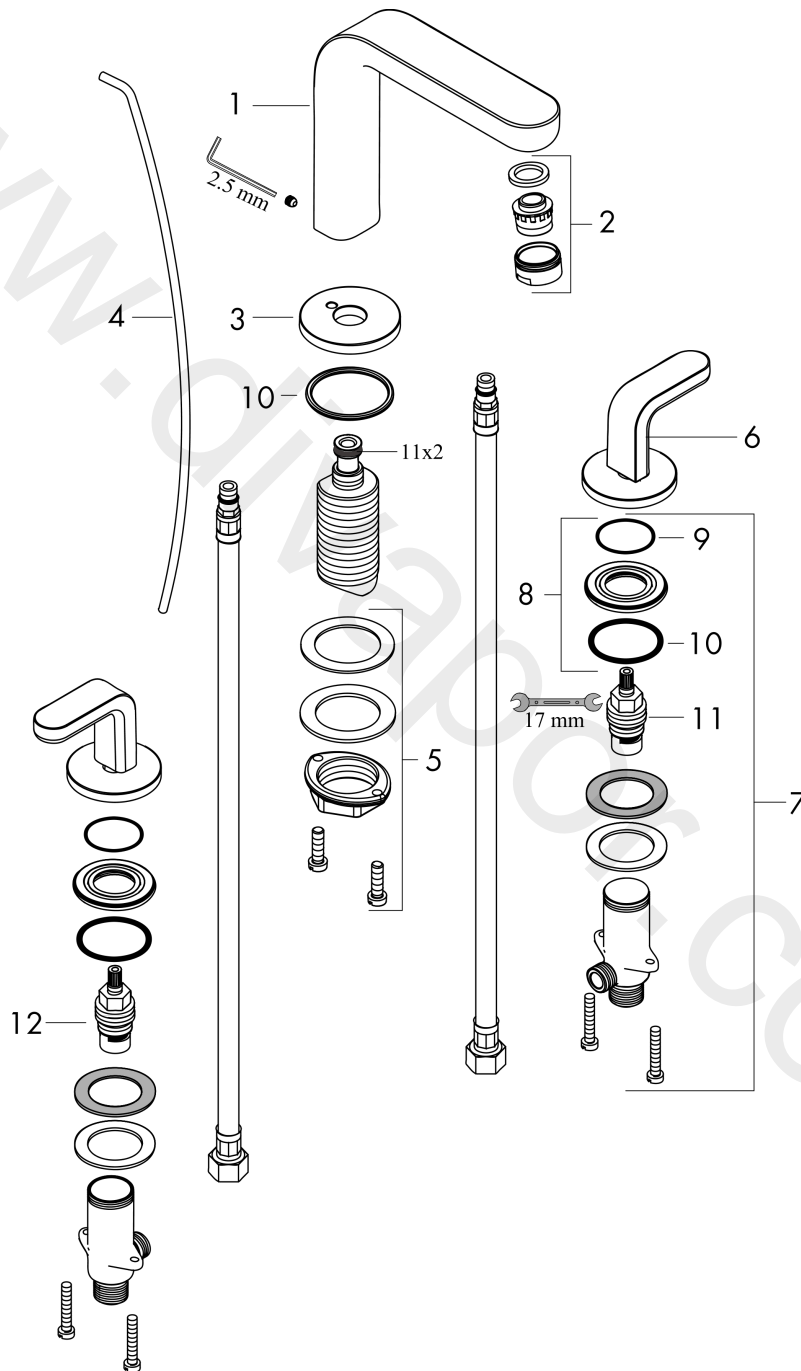
3-hole basin mixer 100 with lever handles and pop-up waste set 0.5 GPM

Finish: **Chrome** Article Number: **31013001**



Exploded Drawing

Year of production: >10/19



Metris S

3-hole basin mixer 100 with lever handles and pop-up waste set 0.5 GPM

Finish: **Chrome** Article Number: **31013001**



Spare part list

Year of production: >10/19

Pos.	Description	Article Number	Price	PU
1	spout cpl.	97504000	£ 370,00	1
2	aerator M24x1 (1,9 l/min)	93502000	-	1
3	escutcheon for spout	97505000	£ 64,00	1
4	O-ring 11x2	98127000	£ 3,30	1
5	fixing set (Ø 32)	13961000	£ 25,00	1
6	lever collar	97548000	£ 3,30	1
7	handle for cold water	98827000	£ 79,00	1
8	handle for hot water	98826000	£ 79,00	1
9	stop valve cpl.	97357001	-	1
10	O-Ring 32x2,5	96364000	£ 25,00	1
11	O-ring 40x3	92634000	£ 3,30	1
12	shut off unit left closing	94008000	£ 43,00	1
13	nut	92854000	£ 20,50	1
14	shut off unit right closing	94009000	£ 43,00	1
15	pull rod	96657000	£ 13,30	1
16	connection hose 18½" M8x0,75 3/8"	96321001	-	1
17	O-ring 7x1,5	98422000	£ 3,30	1
a	pop up waste	88509000	-	1