

**Metris S**

**Single lever basin mixer 100 with pop-up waste set 0.5 GPM**

Finish: **Brushed Nickel** Article Number: **31012821**



**Description**

**product features**

- ComfortZone 100
- projection: 113 mm
- handle variant: lever handle
- spray type: normal spray
- maximum flow rate at 3 bar: 1,9 l/min
- ceramic cartridge
- temperature limitation adjustable
- suitable for continuous flow water heaters
- pop-up waste set G 1
- connection type: G 3/8 compression

**Technology**



**Product image**

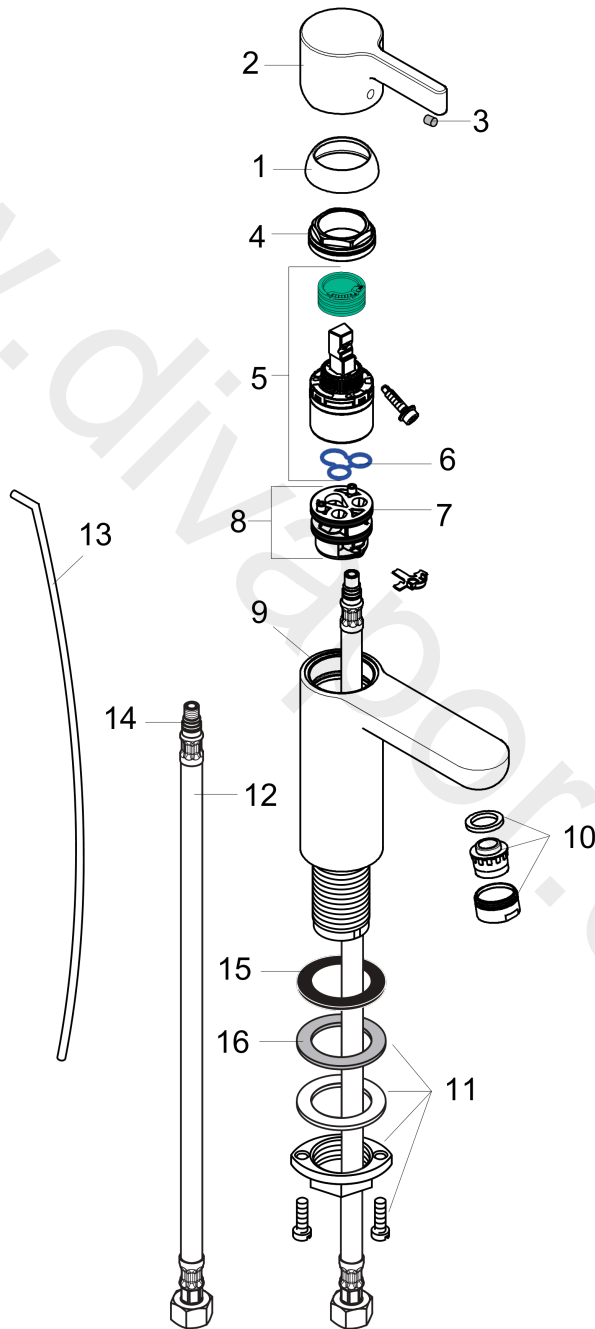


**Metris S**  
**Single lever basin mixer 100 with pop-up waste set 0.5 GPM**  
 Finish: **Brushed Nickel** Article Number: **31012821**



Exploded Drawing

Year of production: >10/19



**Metris S****Single lever basin mixer 100 with pop-up waste set 0.5 GPM**Finish: **Brushed Nickel** Article Number: **31012821****Spare part list**

Year of production: &gt;10/19

Pos.	Description	Article Number	Price	PU
1	flange	97406820	£ 35,00	1
2	handle	31093820	-	1
3	screw cover	96338000	£ 3,30	1
4	nut	97209000	£ 16,10	1
5	cartridge, assy	95646001	£ 96,00	1
6	seal	95008000	£ 9,00	1
7	adapter for cartridge	98750000	£ 13,30	1
8	O-Ring 30x2	98186000	£ 3,30	1
9	O-ring 35x2	92604000	£ 6,10	1
10	aerator M24x1 (1,9 l/min)	93502820	-	1
11	fixing set (Ø 32)	13961000	£ 25,00	1
12	connection hose 18½" M8x0,75 3/8"	96321001	-	1
13	pull rod	96657820	£ 35,00	1
14	O-ring 7x1,5	98422000	£ 3,30	1
15	flat seal	98749000	£ 6,10	1
16	lever collar	97548000	£ 3,30	1
a	pop up waste	88509820	-	1
b	locking screw for handle	95140000	£ 6,10	1