

sBox

Finish set oval

Finish: **Brushed Bronze** Article Number: **28022140**



product features

- suitable for rim or tile mounted installation
- consists of: hose box, shower hose, escutcheon
- 1 function
- sBox for quiet, smooth and protected hose guidance
- connection dimension: DN15
- no additional maintenance opening required
- bath rim width at least 100 mm
- clamping range: 0 - 30 mm
- maximum pull-out length of hand shower 1.45 m
- removable for service at any time
- protected against backflow, according to DIN EN 1717
- maximum flow rate at 3 bar: 9,5 l/min
- WRAS 1907041

Article Details

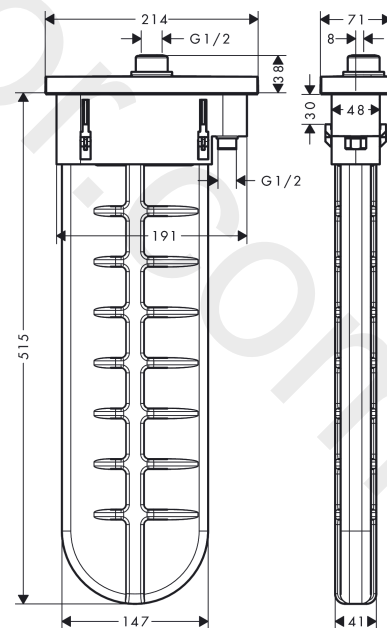
Price excl. VAT

587,50 £

Product image



Scale drawing



sBox

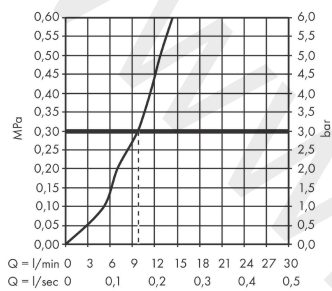
Finish set oval

Finish: **Brushed Bronze**

Article Number: **28022140**



Flowchart

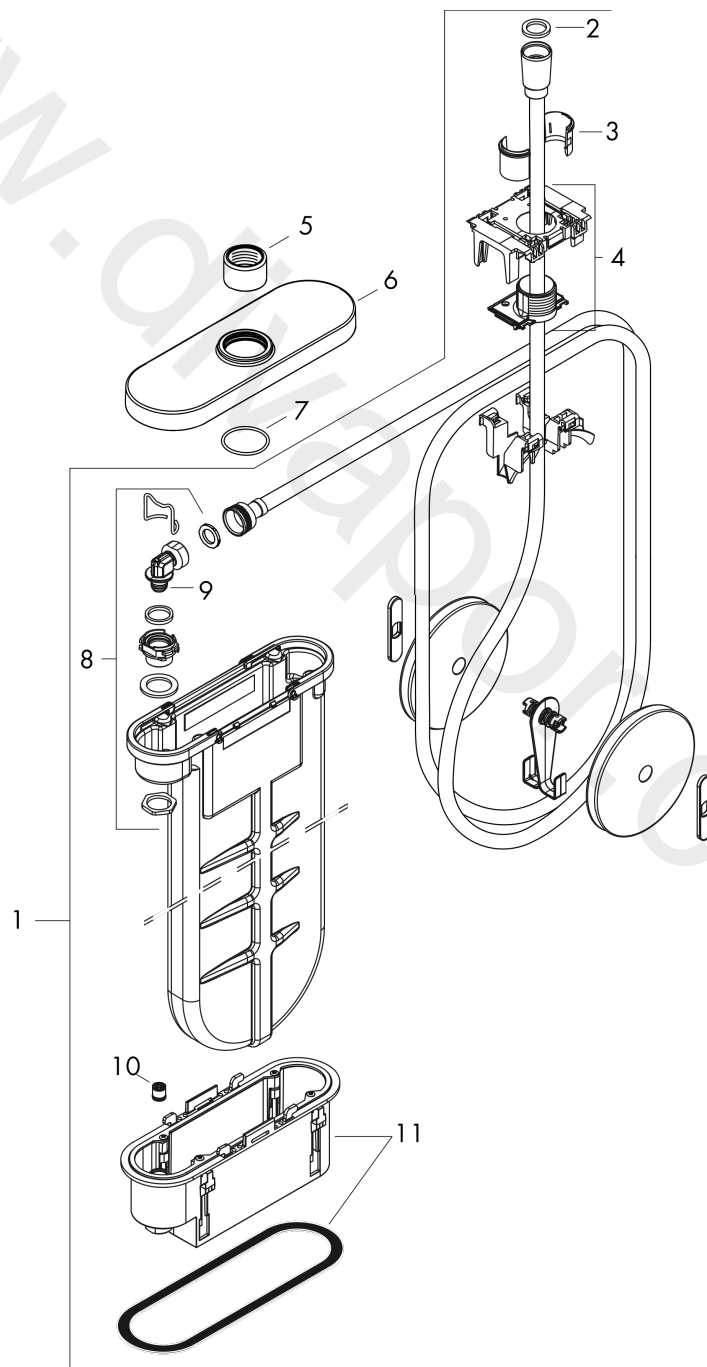


sBox
Finish set oval
Finish: **Brushed Bronze** Article Number: **28022140**



Exploded Drawing

Year of production: >04/20



sBox
Finish set oval
 Finish: **Brushed Bronze** Article Number: **28022140**



Spare part list

Year of production: >04/20

Pos.		Article Number	Price	PU
1	sBox	94679000	£ 370,00	1
2	seal	98058000	£ 3,30	1
3	insert for shower holder	96942000	£ 13,30	1
4	hose guide	94504000	£ 110,00	1
5	nut	97584140	£ 25,00	1
6	escutcheon	93505140	£ 202,00	1
7	O-Ring 32x2	98193000	£ 3,30	1
8	connection angel	94506000	£ 51,00	1
9	O-ring 9x2	98119000	£ 3,30	1
10	non return valve DW 10	96456000	£ 9,00	1
11	installation frame	93908000	£ 79,00	1
a	concealed item	15490180	£ 82,00	1