

## sBox

### Finish set square

Finish: **Brushed Bronze** Article Number: **28012140**



#### product features

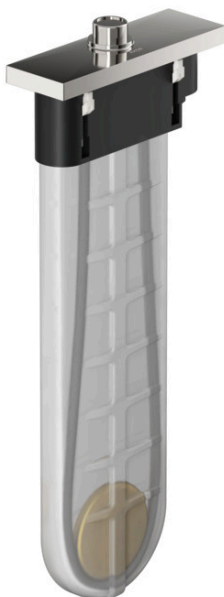
- suitable for rim or tile mounted installation
- consists of: hose box, shower hose, escutcheon
- 1 function
- sBox for quiet, smooth and protected hose guidance
- connection dimension: DN15
- no additional maintenance opening required
- bath rim width at least 100 mm
- clamping range: 0 - 30 mm
- maximum pull-out length of hand shower 1.45 m
- removable for service at any time
- protected against backflow, according to DIN EN 1717
- maximum flow rate at 3 bar: 9,5 l/min
- WRAS 1907041

#### Article Details

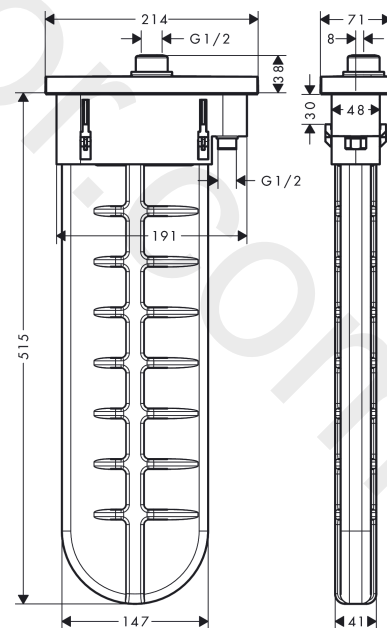
Price excl. VAT

587,50 £

#### Product image



#### Scale drawing



**sBox**

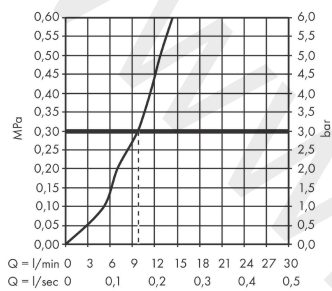
**Finish set square**

Finish: **Brushed Bronze**

Article Number: **28012140**



## Flowchart

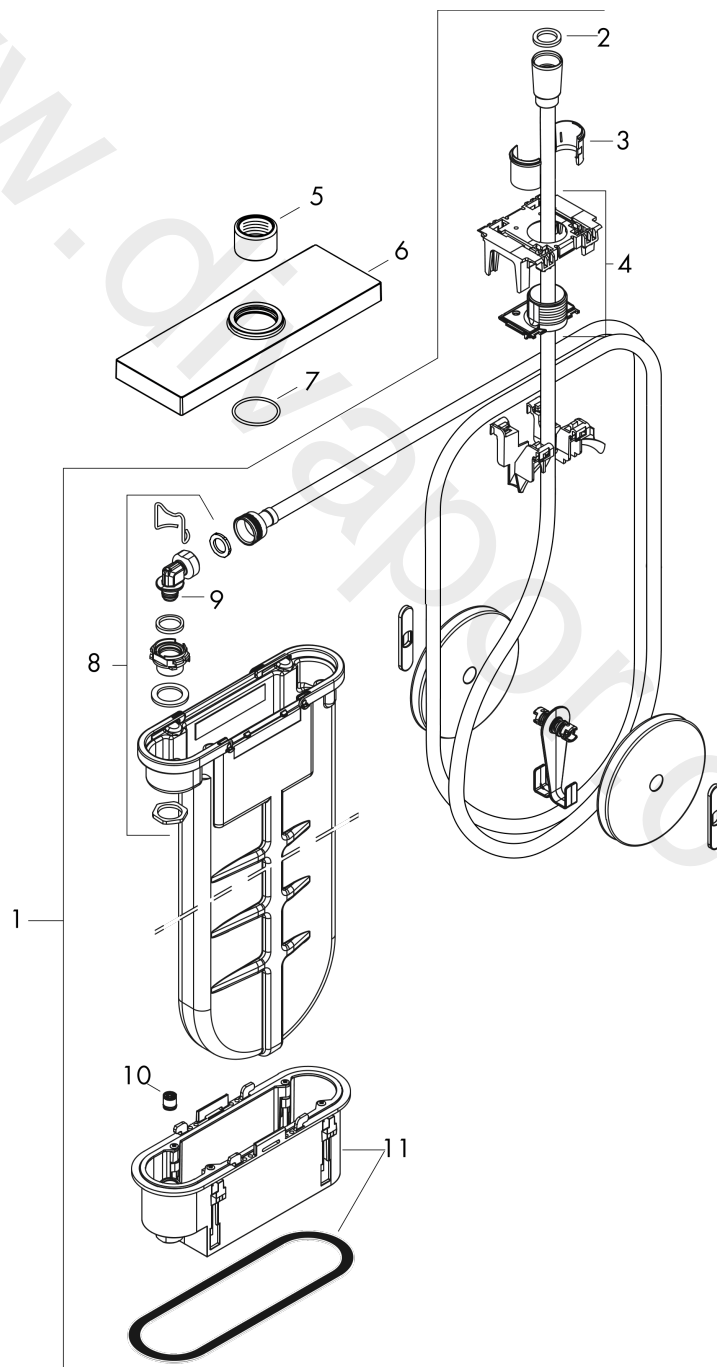


**sBox**  
**Finish set square**  
Finish: **Brushed Bronze** Article Number: **28012140**



## Exploded Drawing

Year of production: >07/19



**sBox**  
**Finish set square**  
 Finish: **Brushed Bronze**    Article Number: **28012140**



## Spare part list

Year of production: >07/19

Pos.		Article Number	Price	PU
1	seal	98058000	£ 3,30	1
2	insert for shower holder	96942000	£ 13,30	1
3	hose guide	94504000	£ 110,00	1
4	shower hose	93506000	£ 137,00	1
5	weight	94505000	£ 137,00	1
6	nut	97584140	£ 25,00	1
7	escutcheon	93504140	£ 202,00	1
8	O-Ring 32x2	98193000	£ 3,30	1
9	connection angel	94506000	£ 51,00	1
10	O-ring 9x2	98119000	£ 3,30	1
11	non return valve DW 10	96456000	£ 9,00	1
12	installation frame	93908000	£ 79,00	1
a	concealed item	15490180	£ 82,00	1